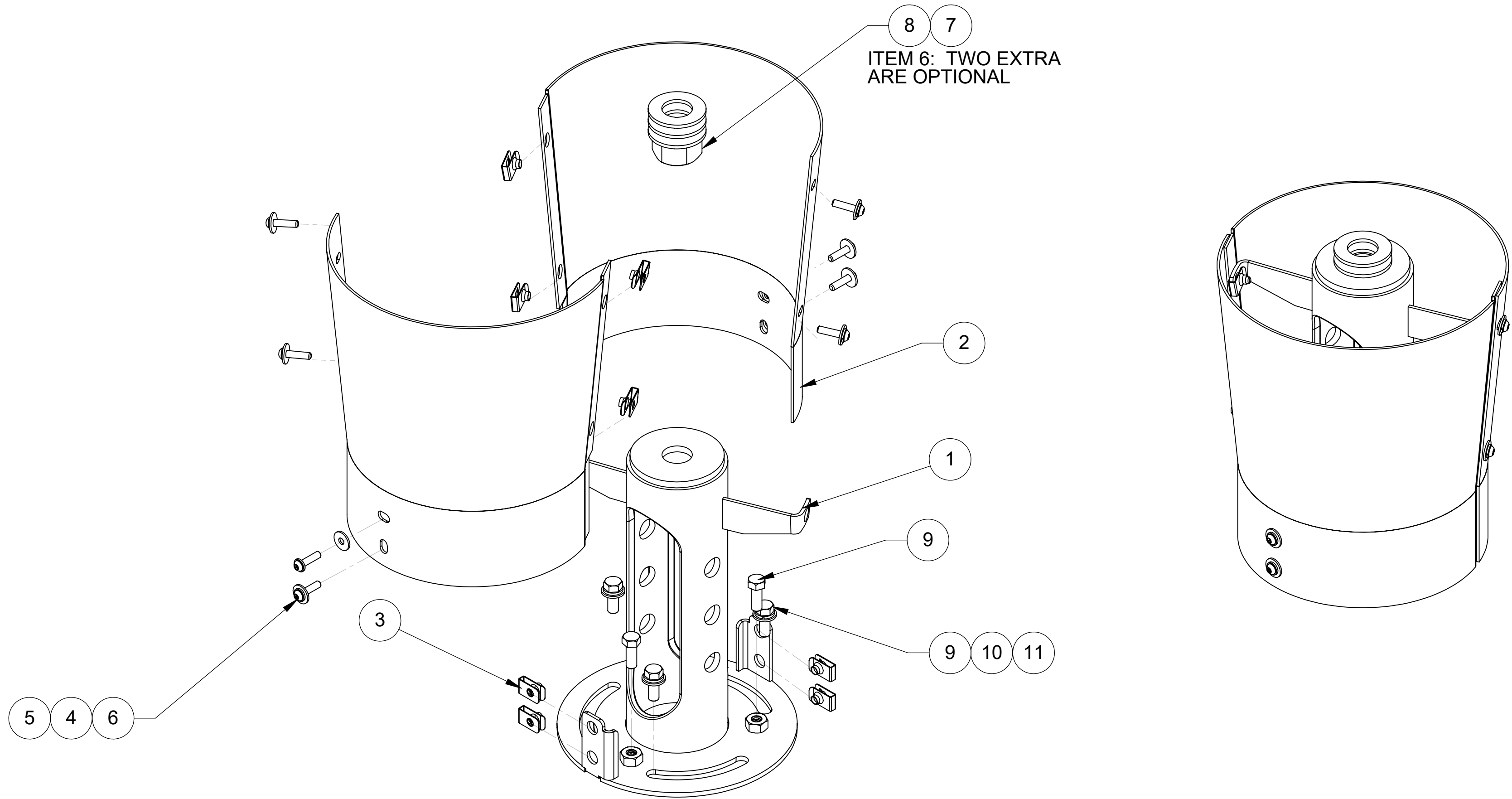


NOTES:

- 1.0 GENERAL NOTES
 - 1.1 ALL METRIC DIMENSIONS ARE IN BRACKETS [X.X]
 - 1.2 CRITICAL TO QUALITY INDICATED BY ROUNDED BOX (X.X)
- 2.0 DESIGN NOTES
- 3.0 MANUFACTURING/SPECIAL REQUIREMENTS
 - 3.1 FINISH: -XX SUFFIX ON PRODUCT PART NUMBER REPRESENTS SPECIFIC COLOR AND/OR FINISH. REFER TO METROCELL PRODUCT COLOR/FINISH SPECIFICATION MTM1004 FOR SPECIFIC REQUIREMENTS. F
- 4.0 TEST
- 5.0 PACKAGING
 - 5.1 PLACE ALL LOOSE HARDWARE IN POLYBAG
 - 5.2 PACKAGING SHALL MEET COMMSCOPE REQUIRMENTS PER DOCUMENT IS-PL-3005

REVISIONS				
REV.	ECN	DESCRIPTION	BY	DATE
A	8000027604	INITIAL RELEASE	MG	12/13/17
B	8000029076	ADDED ACCEPTANCE CRITERIA NOTES	MG	3/23/2018
C	8000030091	ADDED 1" BOLT, LOCK AND FLAT WASHER	HN	5/25/2018
D	8000031682	CHANGED QTY ITEM 7 - TO THREE.	SD	9/18/2018
E	8000036019	ADD MTG HDWR; UPDATE TRANS COVER; CORRECT 1" NUT PART NUMBER; UPDATE NOTES	MSM	3/05/2020
F	11069	UPDATE MTM100512 AND NOTES	MMCFALL	3/16/2021



ITEM	PART NO.	DESCRIPTION	QTY.	NOTE NO.
1	MTM100512	WELDMENT, ANTENNA MOUNT, 10" OD	1	
2	MTM1090-1045-XX	WLDMNT, TRANS, TOP 8-10	2	
3	460143456	CLIP NUT, M6, 316 SST	8	
4	100522-25	WSHR,LK,SPLT, M6,SST, PASS	8	
5	100525-71	WSHR,FLAT,M6,6.4X18X1.6,SST,PASS	8	
6	MTC3985M6X25	M6 X 1.00 X 25MM LG, BUTTON HEAD TAMPER PROOF	8	
7	92141A038	1" ID SS FLAT WASHER (McMASTER-CARR: 92141A038)	3	5.1
8	9999-1	NUT,HEX,1-14,SST,PASS	1	5.1
9	SB-0310	3/8" X 1" SS BOLT	6	5.1
10	SWL-03	3/8" SS LOCK WASHER	3	5.1
11	SWF-03	3/8" SS FLAT WASHER	3	5.1

F

DENSITY	0.19	lbs/in ³
MASS	11.99	lbs
VOLUME	62.68	in ³
SURFACE AREA	1085.26	in ²
HEIGHT	12	
LENGTH	10	
WIDTH	10	

© 2021 CommScope, Inc.

COMMSCOPE, INC. OF NORTH CAROLINA			
TOLERANCES		SAP MATERIAL MASTER	
1 PLACE .X ± .25	3 PLACE .XXX ± 0.06	MTM100526-XX	
2 PLACE .XX ± 0.12	ANGLES ± 2°		
FINISH		MATERIAL	
SEE NOTES		SEE BOM	
UNLESS OTHERWISE SPECIFIED DIMENSIONS ARE IN INCHES INTERPRET PER ANSI Y 14.5M-1994	CE	SD	09/18/2018
	RW	MMCFALL	03/18/2021
	RV		
	AD	JP1130	03/18/2021
	RE	MMCFALL	03/18/2021
ECN 11069PC		SCALE	DOCUMENT NO.
		1:4	MTM100526 SERIES
SIZE	WORK AREA	INSL	MODEL
C			VERSION
			STATUS
			REVISION
			VERSION
			STATUS
			REVISION
			DRAWING
			VERSION
			STATUS
			REVISION
			SHEET
			1 OF 3

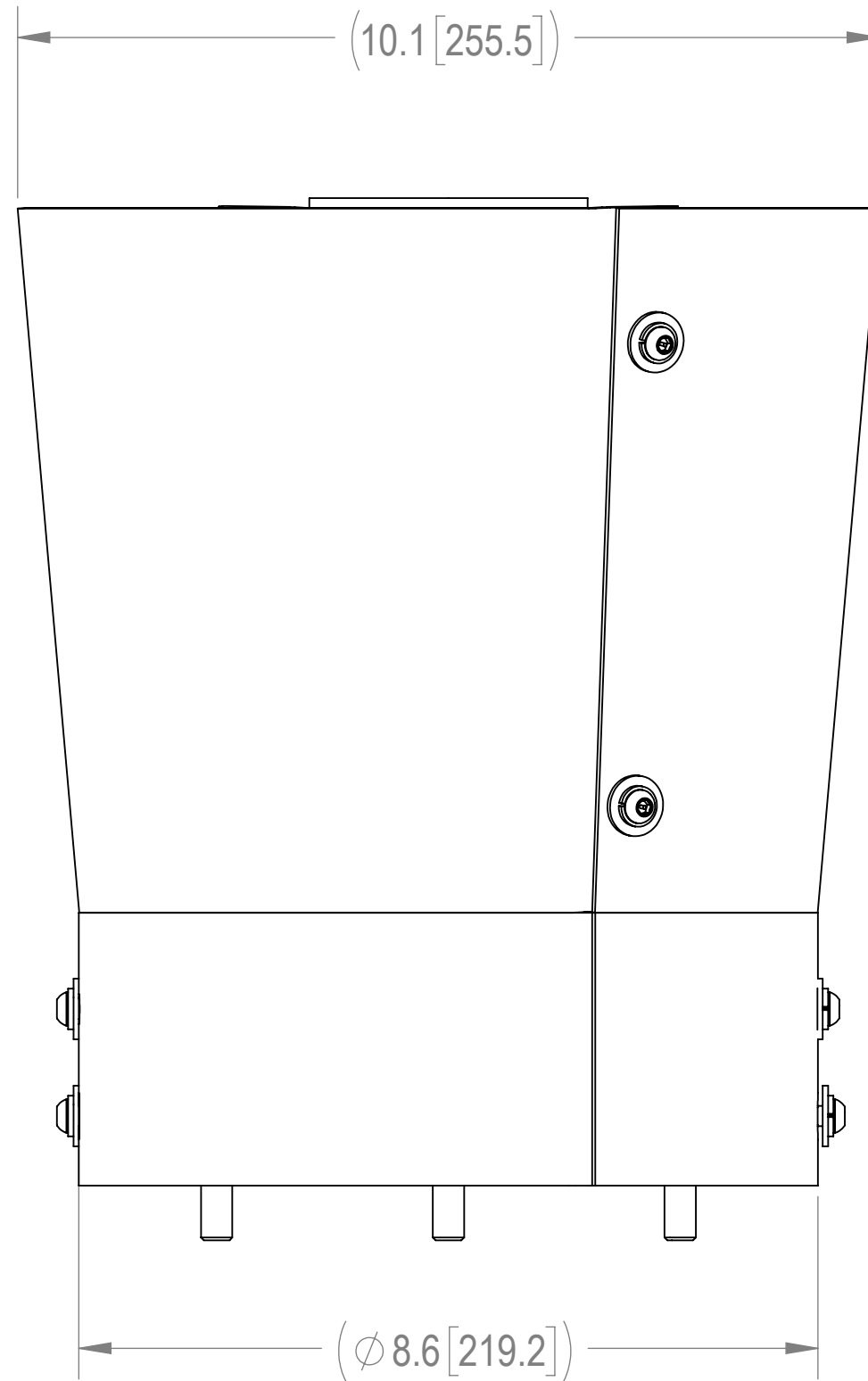
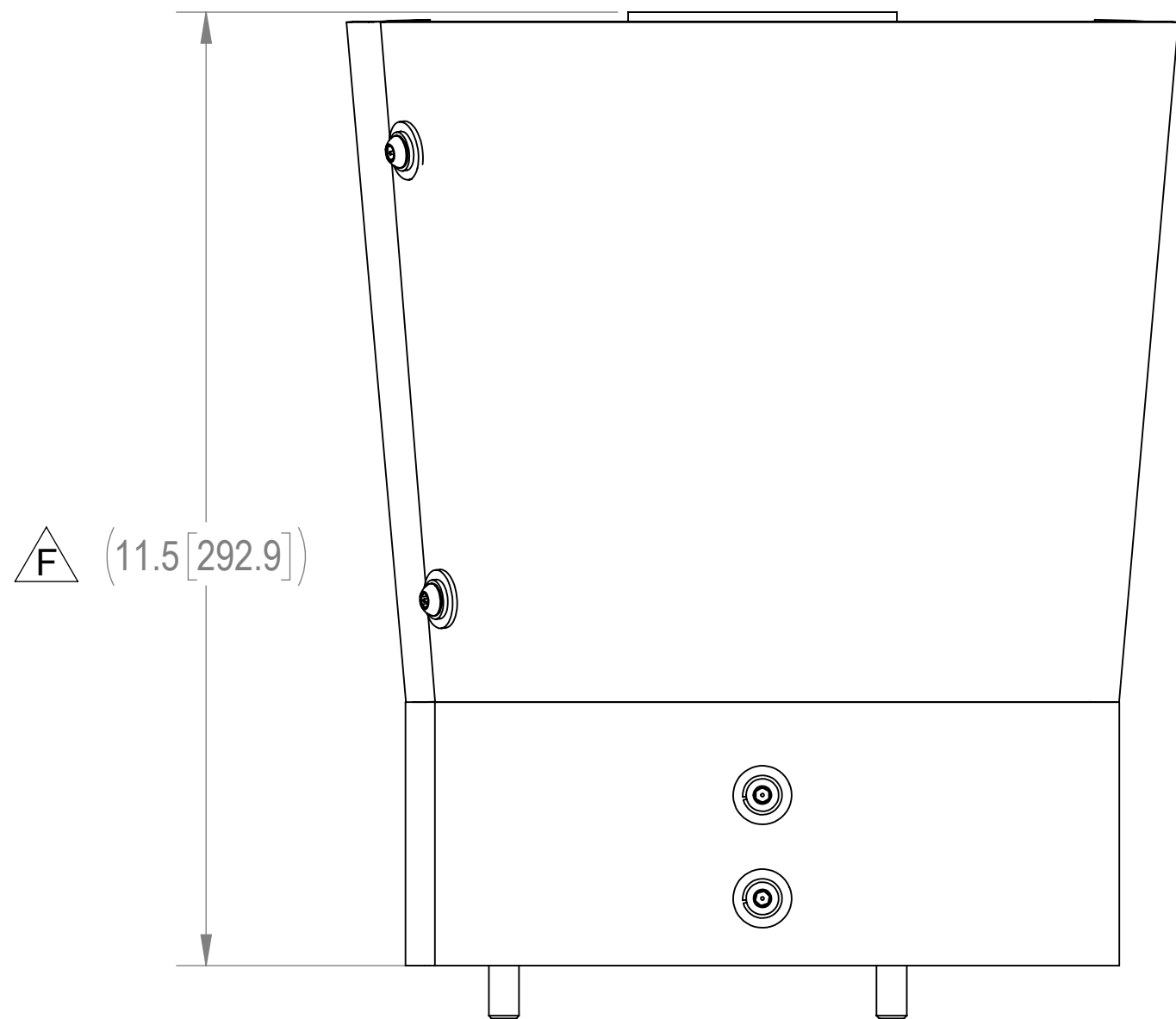
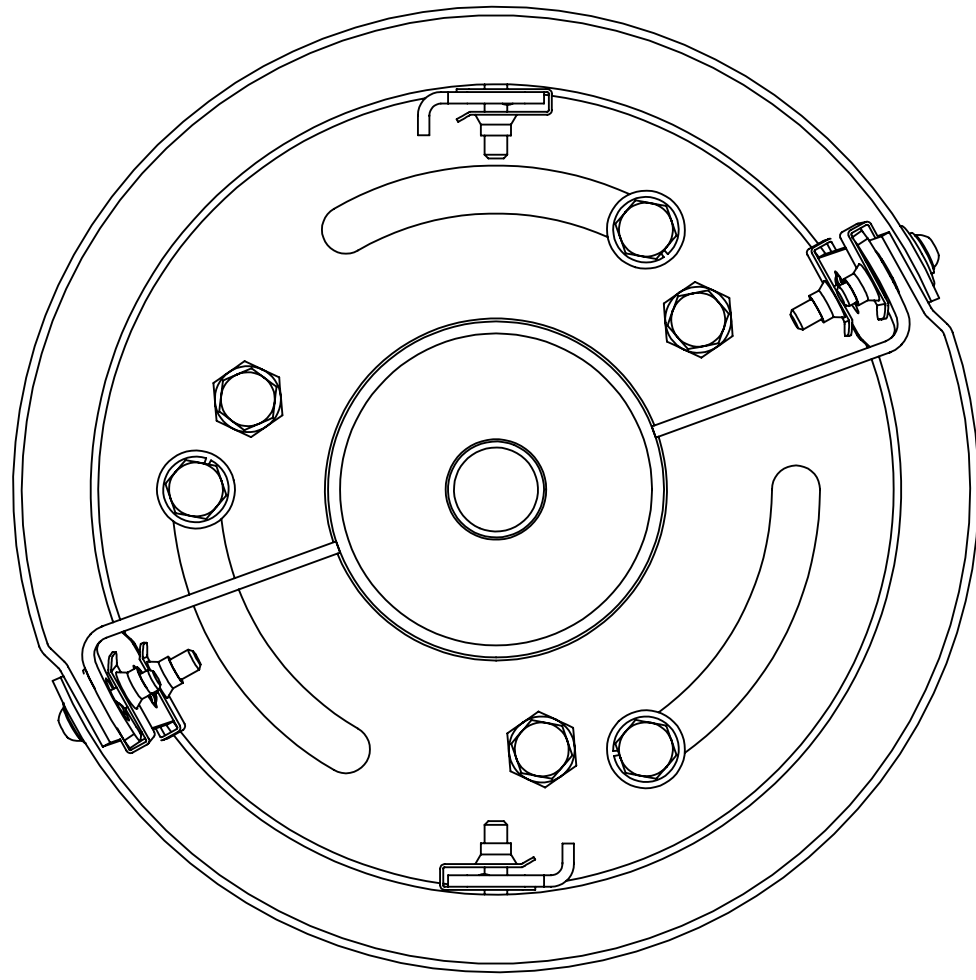
4

3

2

1

NOTES:



COMMSCOPE, INC. OF NORTH CAROLINA				
TITLE ANTENNA MT & COVER ASSY, 10" OD SERIES				
SIZE C	SCALE 1:4	DOCUMENT NO. MTM100526 SERIES		
		DRAWING		SHEET
		VERSION	STATUS	REVISION
		03	RE	F
				2 OF 3

© 2021 CommScope, Inc.

4

3

2

1

D

D

C

C

B

B

A

A

4

3

2

1

NOTES:

D

D

C

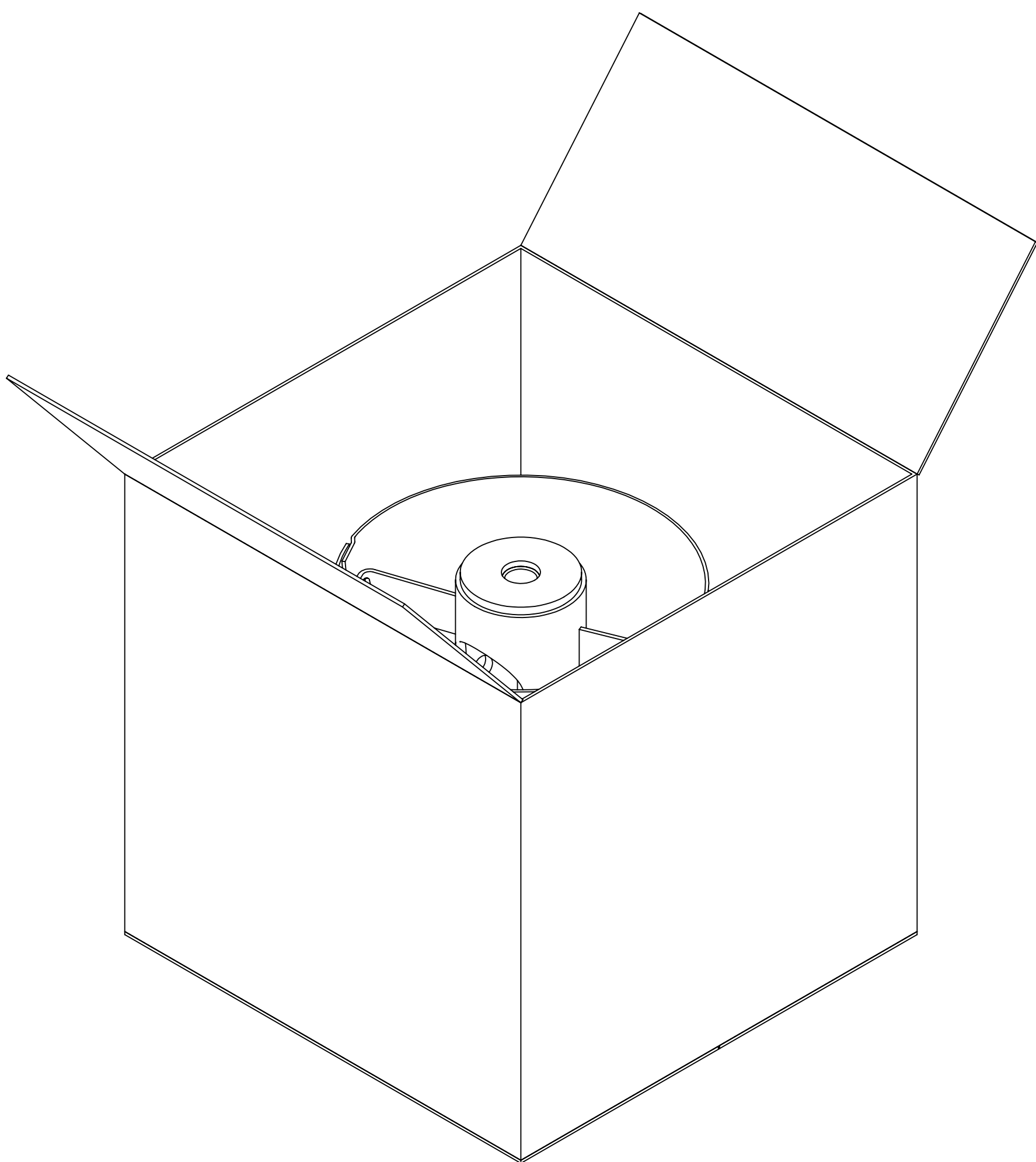
C

B

B

A

A



COMMSCOPE, INC. OF NORTH CAROLINA				
TITLE ANTENNA MT & COVER ASSY, 10" OD SERIES				
SIZE C	SCALE 1:4	DOCUMENT NO. MTM100526 SERIES		
		DRAWING		SHEET
		VERSION	STATUS	REVISION
		03	RE	F
				3 OF 3

© 2021 CommScope, Inc.

4

3

2

1

