

Base Product



Fiber Optic Drop Breakout Cable Assembly with HMFOC connectors

- Hardened connectors are factory-terminated and environmentally sealed for use in optical drop cable deployments
- Hardened drop cables incorporate hardened connector technology that is designed to withstand the rugged outside plant environment
- Hardened drop cables simplify installation and maintenance by reducing splicing requirements in the distribution portion of the network
- Incorporates 12 optical fibers in a single hardened design, terminated with a factory-sealed hardened multifiber fiber-optic connector (HMFOC) at one or both sides
- Assemblies have a 12-fiber MT (mobile terminated) ferrule enclosed in a water-sealed connector housing for outside plant applications

Product Classification

Regional Availability	Asia Latin America North America
Product Type	Fiber drop cable assembly
Product Series	MHBD

General Specifications

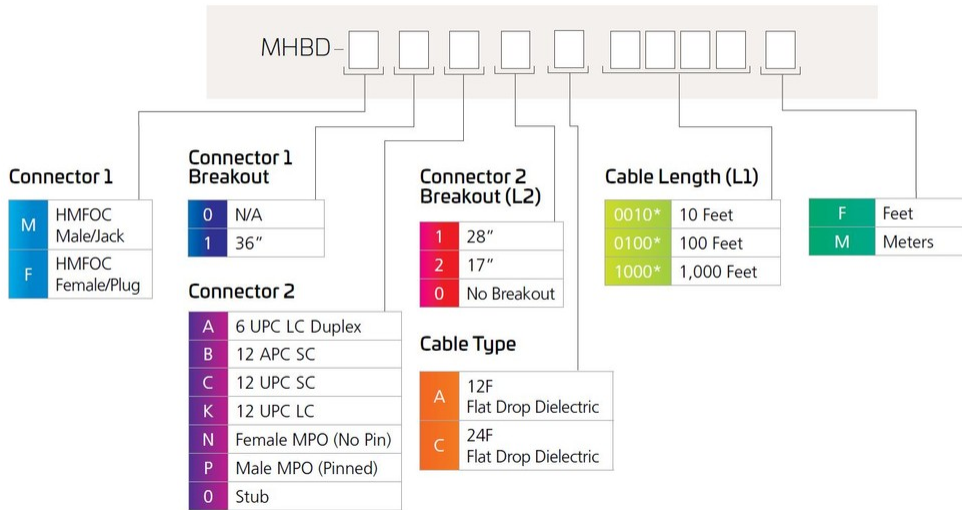
Cable Type	Dielectric - Flat
Jacket Color	Black
Total Fibers, quantity	12

Dimensions

Cable Outer Diameter	4.5 x 8.0 mm (0.18 x 0.31 in)
-----------------------------	-------------------------------

Ordering Tree

MHBD



Optical Specifications

Fiber Mode	Singlemode
Fiber Type	G.657.A2, TeraSPEED®

Environmental Specifications

Installation temperature	-30 °C to +70 °C (-22 °F to +158 °F)
Operating Temperature	-40 °C to +70 °C (-40 °F to +158 °F)
Storage Temperature	-40 °C to +75 °C (-40 °F to +167 °F)
Environmental Space	Outdoor, buried
Jacket UV Resistance	UV stabilized

Packaging and Weights

Packaging quantity	1
---------------------------	---