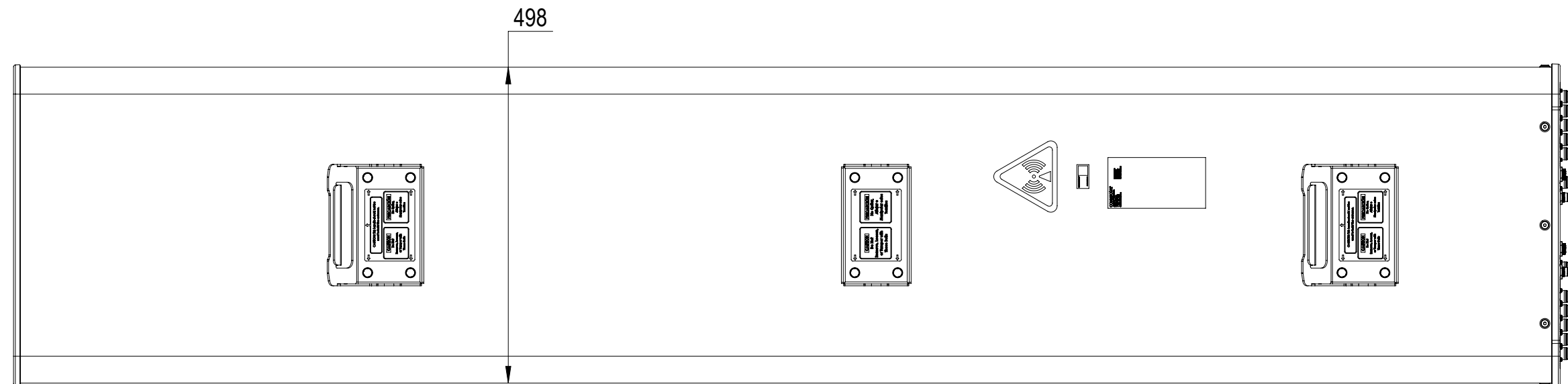
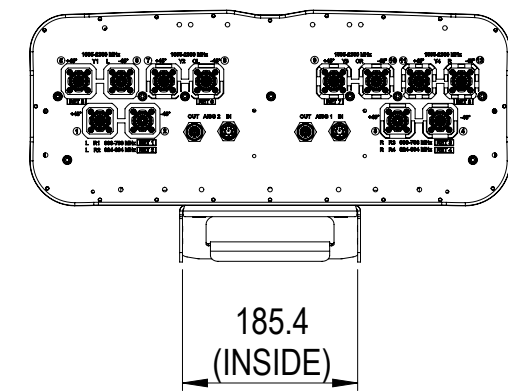
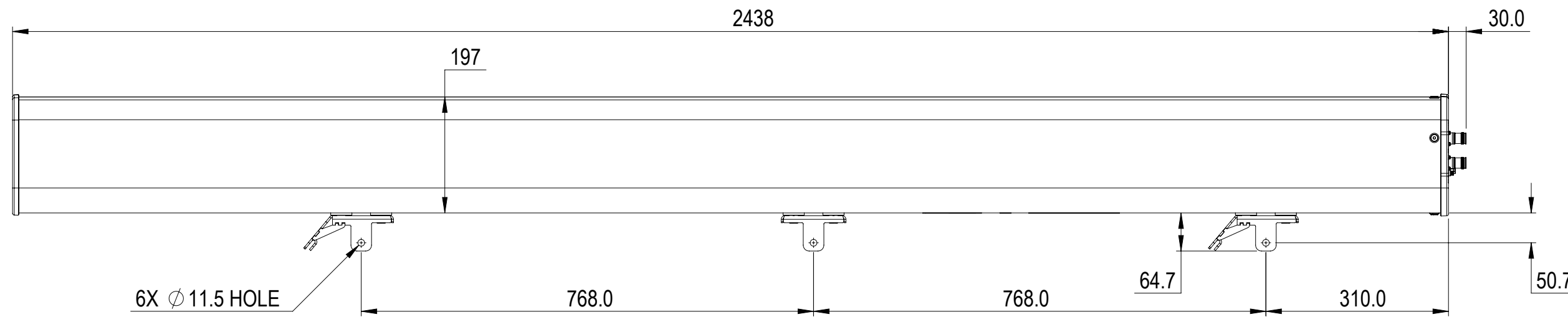


NOTES:

REVISIONS			
REV.	DESCRIPTION	DATE	APPROVED
A	ECR 8000042212: RELEASE TO PRODUCTION PER EAO 607660.	14JAN21 L.Z	GMDING/LIFEI



NNH4-65C-R8D

**COMMSCOPE, INC. OF NORTH CAROLINA**

TOLERANCES		SAP MATERIAL MASTER							
0 PLACE X ±	2 PLACE .XX ±								
1 PLACE .X ±	ANGLES ±								
FINISH		MATERIAL							
<small>UNLESS OTHERWISE SPECIFIED DIMENSIONS ARE IN MILLIMETERS INTERPRET PER ISO STANDARDS HANDBOOK TECHNICAL DRAWINGS VOLUMES 1 &amp; 2, THIRD EDITION (2002)</small>		NAME	DATE						
		CE LZ1032	20NOV20						
		RW LZ1032	01/17/2021						
		RV GD1001	01/18/2021						
		AD FL1026	01/18/2021						
RE XS1022	01/19/2021	TITLE							
ECN 8000042212-O		<b>PRUDCT DRAWING</b>							
		SCALE	DOCUMENT NO.						
		<b>1:8</b>	<b>NNH4-65C-R8D-L</b>						
SIZE	WORK AREA	23	MODEL						
<b>A2</b>			VERSION	STATUS	REVISION	VERSION	STATUS	REVISION	SHEET
			00	RE	A	00	RE	A	1 OF 1

DENSITY	g/mm <sup>3</sup>
MASS	grams
VOLUME	mm <sup>3</sup>
SURFACE AREA	mm <sup>2</sup>
HEIGHT	
LENGTH	
WIDTH	

© 2021 CommScope, Inc.