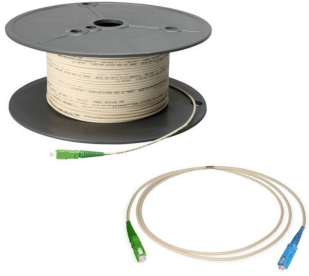


MDC-JN1G



RealFlex® 3 Fiber Optic Drop Cable Assembly, SC/APC to SC/UPC, RBR Plenum, Ivory

Product Classification

Regional Availability	Latin America North America
Portfolio	CommScope®
Product Type	Fiber drop cable assembly
Product Brand	RealFlex®
Product Series	MDC
Ordering Note	For custom cable assembly lengths, please contact your local CommScope representative

General Specifications

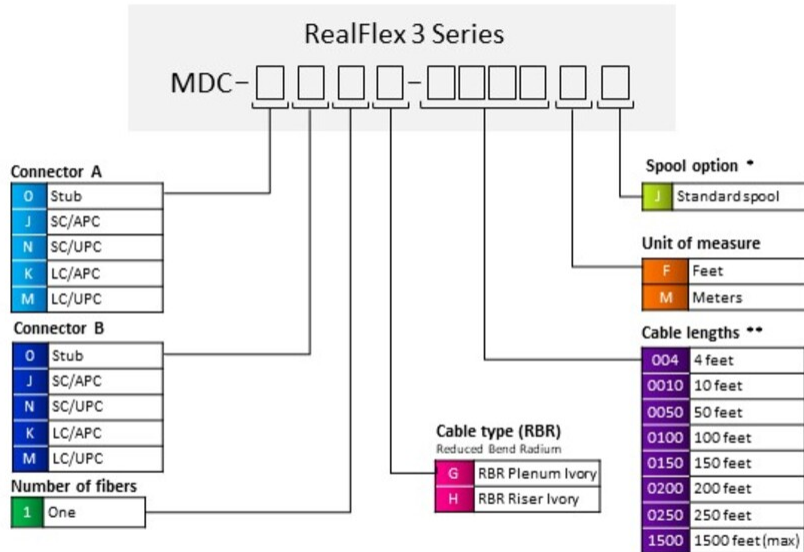
Cable Type	Stapleable - Round
Connector A, quantity	1
Color, boot A	Green
Color, connector A	Green
Connector B, quantity	1
Color, boot B	Blue
Color, connector B	Blue
Interface, Connector A	SC/APC
Interface Feature, connector A	Male
Interface, Connector B	SC/UPC
Interface Feature, connector B	Male
Jacket Color	Ivory
Total Fibers, quantity	1
Transmission Standards	TIA/EIA-568-B.3

MDC-JN1G

Dimensions

Cable Assembly Length Range (ft)	1 – 1500
Cable Outer Diameter	2.9 mm (0.11 in)

Ordering Tree



*Drops are automatically coiled 0-350 ft. Lengths 351+ are automatically spooled. Connector A deploys first. Add option J if spool is required for lengths 350ft or less.
**Cable length shown as an example; additional cable lengths available upon request up to 1500 ft

Mechanical Specifications

Minimum Bend Radius, loaded	50 mm 1.969 in
Minimum Bend Radius, unloaded	30 mm 1.181 in

Optical Specifications

Fiber Mode	Singlemode
Fiber Type	G.657.A2/B2
Insertion Loss, maximum, connector A	0.4 dB
Insertion Loss, maximum, connector B	0.2 dB
Return Loss, minimum, connector A	65 dB
Return Loss, minimum, connector B	60 dB

Environmental Specifications

Installation temperature	-20 °C to +60 °C (-4 °F to +140 °F)
Operating Temperature	-40 °C to +70 °C (-40 °F to +158 °F)
Storage Temperature	-40 °C to +75 °C (-40 °F to +167 °F)
Environmental Space	Plenum
Jacket UV Resistance	UV stabilized
Qualification Standards	Telcordia GR-449-CORE

Packaging and Weights

Cable weight	7.9 kg/km 5.309 lb/kft
Packaging quantity	1

Regulatory Compliance/Certifications

Agency	Classification
CHINA-ROHS	Above maximum concentration value
REACH-SVHC	Compliant as per SVHC revision on www.commscope.com/ProductCompliance
ROHS	Compliant/Exempted
UK-ROHS	Compliant/Exempted

