

FHBD-H04J084B



Fiber Optic Drop Cable Assembly, 4 Fiber, Hardened Full Size with 4 ft breakout to SC/APC with 8 ft breakout, Flat Toneable Cable

- Hardened connectors are factory-terminated and environmentally sealed for use in optical drop cable deployments
- Hardened drop cables incorporate hardened connector technology that is designed to withstand the rugged outside plant environment
- Hardened drop cables simplify installation and maintenance by reducing splicing requirements in the distribution portion of the network
- *Product complies with the Build America, Buy America Act (BABAA) requirements of the Infrastructure Investment and Jobs Act of 2021 (Pub. L. 117- 58, §§ 70901-70953), or is the subject of a waiver approved by the Secretary of Commerce or designee. Compliance requirements and waiver applicability vary based on government funding program. Check the laws and regulations for your specific program.

Product Classification

Regional Availability	Asia Australia/New Zealand EMEA Latin America North America
Product Type	Fiber drop cable assembly
Product Series	FHBD
Government Requirements	Build America Buy America (BABA) compliant*

General Specifications

Cable Type	Toneable - Flat
Connector A, quantity	4
Color, boot A	Black
Color, connector A	Green
Connector B, quantity	4
Color, boot B	Black
Color, connector B	Green
Interface, Connector A	Hardened full-size SC/APC
Interface Feature, connector A	Male
Interface, Connector B	SC/APC
Jacket Color	Black
Location of Manufacturing	Catawba, North Carolina
Total Fibers, quantity	4

FHBD-H04J084B

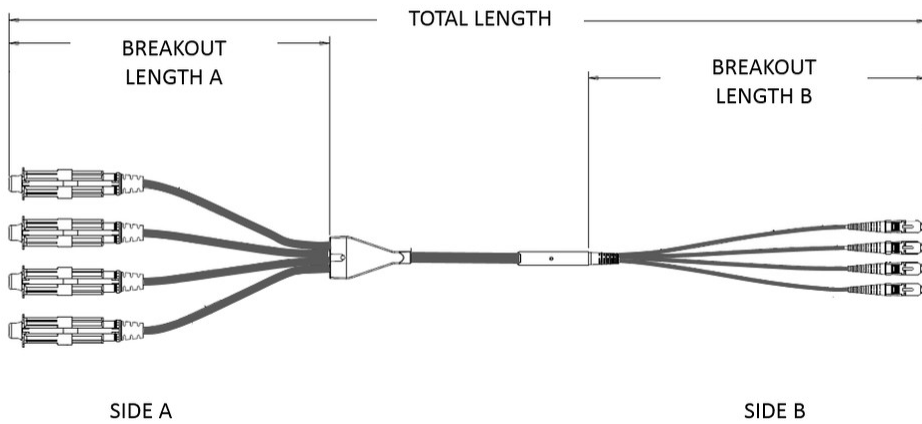
Transmission Standards

IEC 61753-1 | IEC 61754-4 | IEC 61755

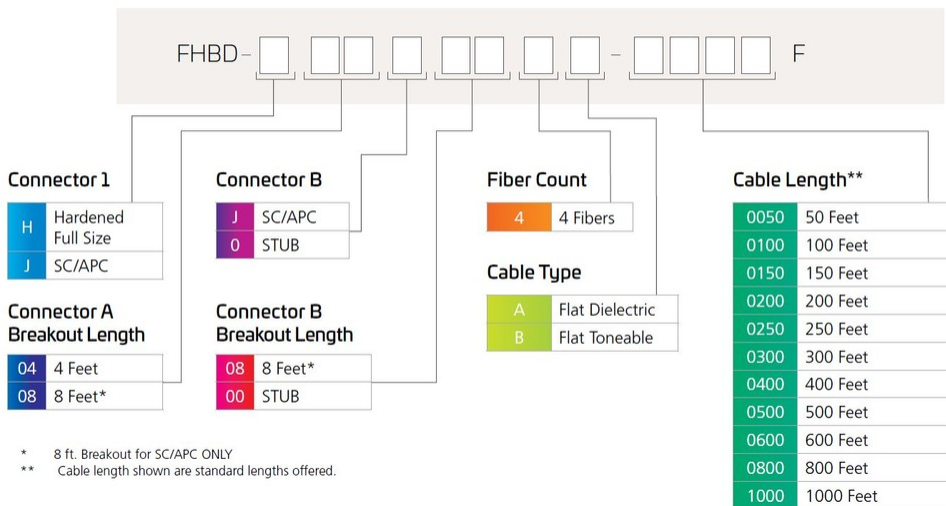
Dimensions

Breakout Length, connector A	1,219.2 mm 48 in
Breakout Length, connector B	2,438.4 mm 96 in
Cable Assembly Length Range (ft)	50 – 1000
Cable Outer Diameter	4.3 x 8.0 mm (0.17 x 0.31 in)

Outline Drawing

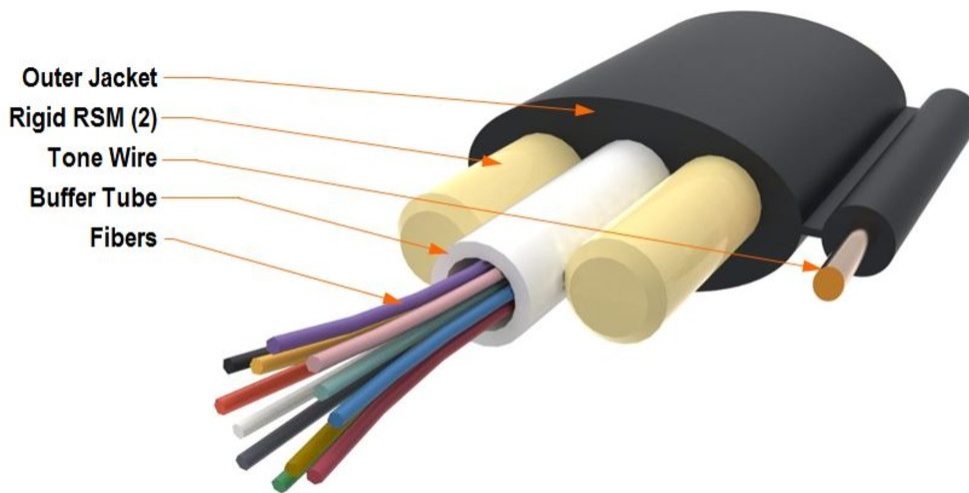


Ordering Tree



FHBD-H04J084B

Representative Image



Mechanical Specifications

Minimum Bend Radius, loaded	86 mm 3.386 in
Minimum Bend Radius, unloaded	81 mm 3.189 in
Tensile Load, long term, maximum	400 N 89.924 lbf
Tensile Load, short term, maximum	1334 N 299.895 lbf

Optical Specifications

Fiber Mode	Singlemode
Fiber Type	G.652.D
Insertion Loss, maximum, connector A	0.4 dB
Insertion Loss, maximum, connector B	0.4 dB
Return Loss, minimum, connector A	65 dB
Return Loss, minimum, connector B	65 dB

Environmental Specifications

Operating Temperature	-40 °C to +70 °C (-40 °F to +158 °F)
Storage Temperature	-40 °C to +75 °C (-40 °F to +167 °F)
Environmental Space	Outdoor
Jacket UV Resistance	UV stabilized
Qualification Standards	NEMA type 6, 10 ft waterhead Telcordia GR-20 Telcordia GR-

FHBD-H04J084B

3120 | Telcordia GR-326

Packaging and Weights

Cable weight 36 kg/km | 24.191 lb/kft

Packaging quantity 1

Regulatory Compliance/Certifications

Agency	Classification
CHINA-ROHS	Below maximum concentration value
ROHS	Compliant
UK-ROHS	Compliant

