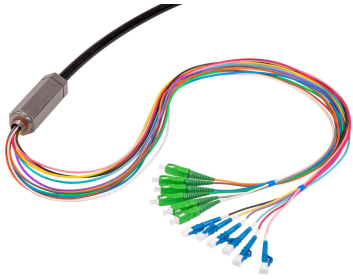


# NA-J300-2BS



## Fiber Optic Node Service Cable Assembly, 6 SC/APC & 6 LC/UPC Connectors with 36in Breakout to Stub, 12F Armored Cable

- Node Service Cable Assemblies are factory-terminated for use in node installations
- Environmentally sealed and tested
- Designed for fast installation between splicing in a closure transitioning to a node

### OBSOLETE

This product was discontinued on: August 17, 2023

## Product Classification

<b>Regional Availability</b>	Asia   Australia/New Zealand   EMEA   Europe   Latin America   North America
<b>Product Type</b>	Fiber node service cable assembly

## General Specifications

<b>Breakout Direction</b>	Straight
<b>Breakout Option</b>	Feed-through housing connector
<b>Cable Color</b>	Black
<b>Cable Type</b>	Armored - Round - Loose Tube
<b>Color, LC/UPC boot</b>	White
<b>Color, LC/UPC connector</b>	Blue
<b>Construction Type</b>	Breakout, armored
<b>Interface, Connectors side A</b>	SC/APC + LC/UPC
<b>Interface, Connectors side B</b>	Unterminated
<b>Color, SC/APC boot</b>	Green
<b>Color, SC/APC connector</b>	Green
<b>Quantity, LC/UPC connectors</b>	6
<b>Quantity, SC/APC connectors</b>	6
<b>Total Fibers, quantity</b>	12

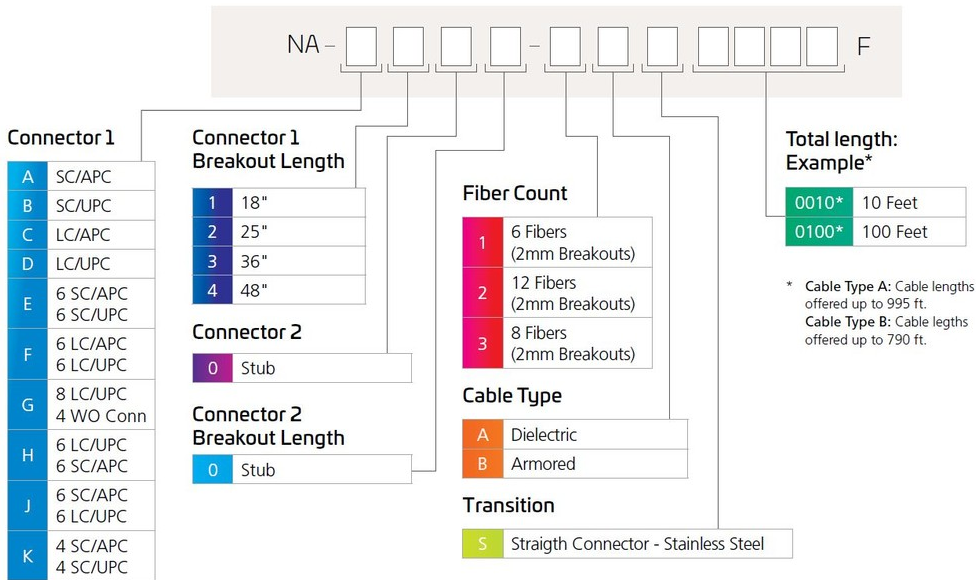
## Dimensions

<b>Breakout Length, connector A</b>	914.4 mm   36 in
-------------------------------------	------------------

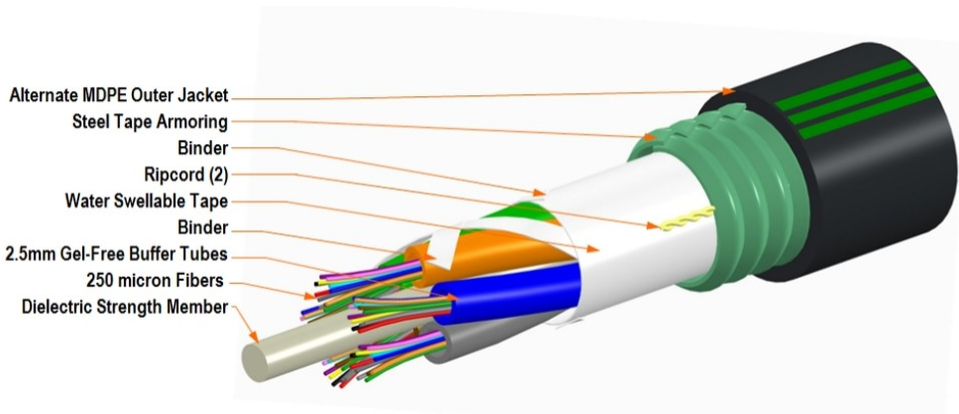
# NA-J300-2BS

<b>Cable Assembly Length Range (m)</b>	1 – 900
<b>Cable Assembly Length Range (ft)</b>	1 – 3000
<b>Cable Outer Diameter</b>	11.5 mm (0.45 in)

## Ordering Tree



## Representative Image



## Material Specifications

**Jacket Material** PE

## Mechanical Specifications

# NA-J300-2BS

---

<b>Minimum Bend Radius, loaded</b>	439 mm   17.283 in
<b>Minimum Bend Radius, unloaded</b>	115 mm   4.528 in
<b>Tensile Load, long term, maximum</b>	800 N   179.847 lbf
<b>Tensile Load, short term, maximum</b>	2700 N   606.984 lbf
<b>Cable Crush Resistance, maximum</b>	44 N/mm   251.246 lb/in

## Optical Specifications

<b>Fiber Mode</b>	Singlemode
<b>Fiber Type</b>	G.652.D and G.657.A1
<b>Insertion Loss, maximum, LC/UPC connectors</b>	0.4 dB
<b>Insertion Loss, maximum, SC/APC connectors</b>	0.4 dB
<b>Return Loss, minimum, LC/UPC connectors</b>	55 dB
<b>Return Loss, minimum, SC/APC connectors</b>	65 dB

## Environmental Specifications

<b>Installation temperature</b>	-30 °C to +70 °C (-22 °F to +158 °F)
<b>Operating Temperature</b>	-40 °C to +70 °C (-40 °F to +158 °F)
<b>Storage Temperature</b>	-40 °C to +75 °C (-40 °F to +167 °F)
<b>Environmental Space</b>	Outdoor, buried
<b>Jacket UV Resistance</b>	UV stabilized
<b>Qualification Standards</b>	Telcordia GR-326

## Packaging and Weights

<b>Cable weight</b>	110 kg/km   73.917 lb/kft
<b>Packaging quantity</b>	1

## Regulatory Compliance/Certifications

<b>Agency</b>	<b>Classification</b>
CHINA-ROHS	Below maximum concentration value
ISO 9001:2015	Designed, manufactured and/or distributed under this quality management system
REACH-SVHC	Compliant as per SVHC revision on <a href="http://www.commscope.com/ProductCompliance">www.commscope.com/ProductCompliance</a>
ROHS	Compliant
UK-ROHS	Compliant

# NA-J300-2BS

---

