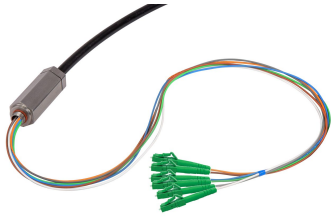


NA-C300-1BS



Fiber Optic Node Service Cable Assembly, 6 LC/APC Connectors with 36in Breakout, 6F Armored Cable

- Node Service Cable Assemblies are factory-terminated for use in node installations
- Environmentally sealed and tested
- Designed for fast installation between splicing in a closure transitioning to a node

OBSOLETE

This product was discontinued on: August 17, 2023

Product Classification

Regional Availability	Australia/New Zealand EMEA Latin America North America
Product Type	Fiber node service cable assembly

General Specifications

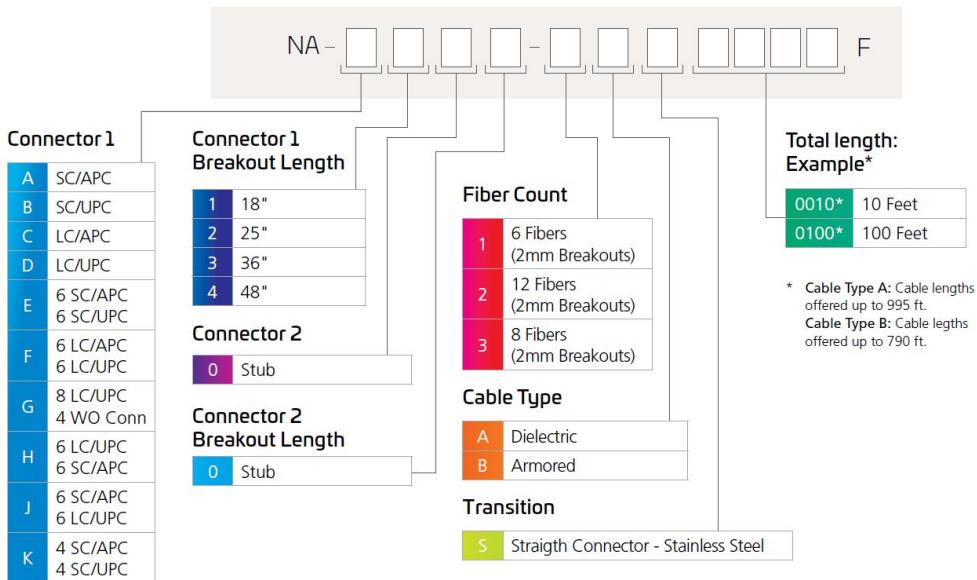
Breakout Direction	Straight
Breakout Option	Feed-through housing connector
Cable Color	Black
Cable Type	Armored - Round - Loose Tube
Color, LC/APC boot	Green
Color, LC/APC connector	Green
Construction Type	Breakout, armored
Interface, Connectors side A	LC/APC
Interface, Connectors side B	Unterminated
Quantity, LC/APC connectors	6
Total Fibers, quantity	6

Dimensions

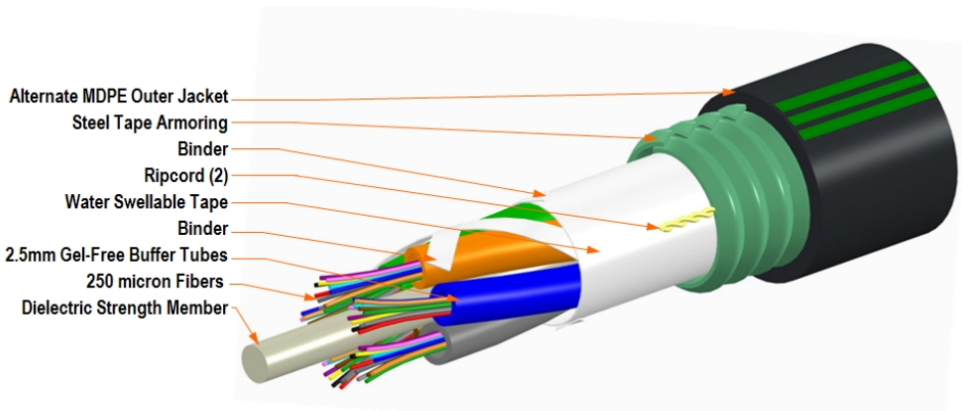
Breakout Length, connector A	914.4 mm 36 in
Cable Assembly Length Range (m)	1 – 240
Cable Assembly Length Range (ft)	1 – 790
Cable Outer Diameter	11.5 mm (0.45 in)

NA-C300-1BS

Ordering Tree



Representative Image



Material Specifications

Jacket Material PE

Mechanical Specifications

Minimum Bend Radius, loaded 439.4 mm | 17.299 in

Minimum Bend Radius, unloaded 115 mm | 4.528 in

Tensile Load, long term, maximum 800 N | 179.847 lbf

Tensile Load, short term, maximum 2700 N | 606.984 lbf

NA-C300-1BS

Cable Crush Resistance, maximum 44 N/mm | 251.246 lb/in

Optical Specifications

Fiber Mode Singlemode
Fiber Type G.652.D and G.657.A1
Insertion Loss, maximum, LC/APC connectors 0.4 dB
Return Loss, minimum, LC/APC connectors 55 dB

Environmental Specifications

Installation temperature -30 °C to +70 °C (-22 °F to +158 °F)
Operating Temperature -40 °C to +70 °C (-40 °F to +158 °F)
Storage Temperature -40 °C to +75 °C (-40 °F to +167 °F)
Environmental Space Outdoor, buried
Jacket UV Resistance UV stabilized
Qualification Standards Telcordia GR-326

Packaging and Weights

Cable weight 110 kg/km | 73.917 lb/kft
Packaging quantity 1

Regulatory Compliance/Certifications

Agency	Classification
CHINA-ROHS	Below maximum concentration value
ISO 9001:2015	Designed, manufactured and/or distributed under this quality management system
ROHS	Compliant
UK-ROHS	Compliant

