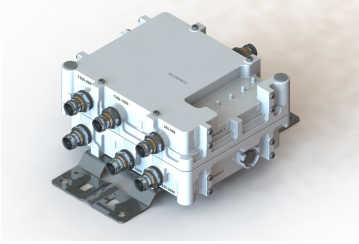


E14F10P88



Twin Triplexer 380-960/1350-1880/1920-2690, DC/AISG high band ports bypass functionality, 4.3-10 connectors

- New 4.3-10 connectors for improved PIM performance and size reduction
- Twin configuration
- dc/AISG pass-through on high frequency ports

Product Classification

Product Type Triplexer

General Specifications

Color Gray

Modularity 2-Twin

Mounting Pole | Wall

Mounting Pipe Hardware Band clamps (2)

RF Connector Interface 4.3-10 Female

Dimensions

Height 103.2 mm | 4.063 in

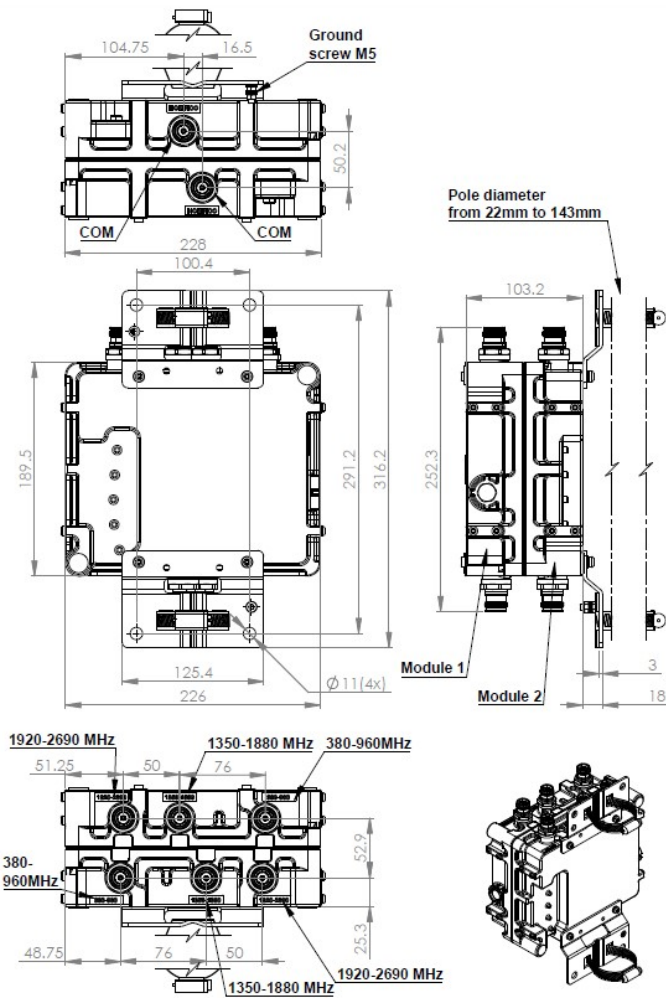
Width 226 mm | 8.898 in

Depth 189.5 mm | 7.461 in

Mounting Pipe Diameter Range 42.6–122 mm

Outline Drawing

E14F10P88



Electrical Specifications

Impedance	50 ohm
Electrical Specifications, dc Power/Alarm	
dc/AISG Pass-through Method	Factory set
dc/AISG Pass-through, combiner	Branch 3
dc/AISG Pass-through, demultiplexer	Branch 3
Lightning Surge Current	10 kA
Lightning Surge Current Waveform	8/20 waveform

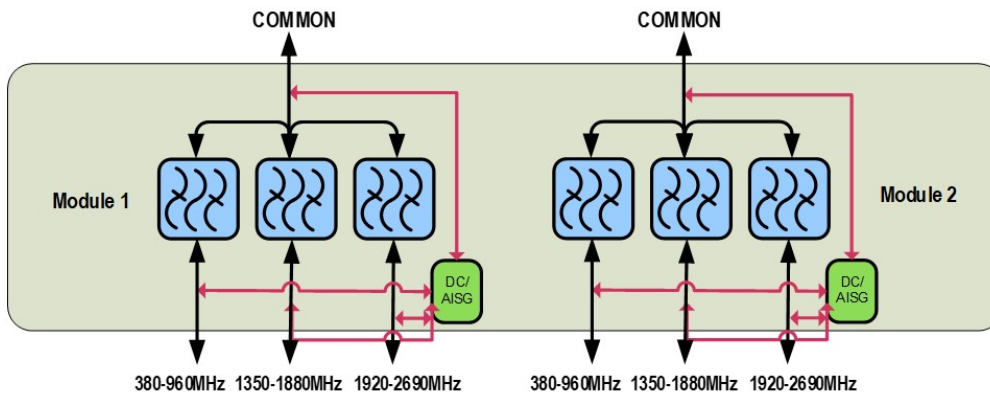
Electrical Specifications

Sub-module	1 2	1 2	1 2
-------------------	-------	-------	-------

E14F10P88

Branch	1	2	3
Port Designation	380-960	1350-1880	1920-2690
Electrical Specifications, Band Pass			
Frequency Range, MHz	698–960	1350–1880	1920–2690
Insertion Loss, typical, dB	0.25	0.35	0.35
Return Loss, typical, dB	20	20	20
Isolation, typical, dB	52	52	52
Input Power, RMS, maximum, W	200	200	200
Input Power, PEP, maximum, W	2000	2000	2000
3rd Order PIM, typical, dBc	-162	-162	-162
3rd Order PIM Test Method	Two +43 dBm carriers	Two +43 dBm carriers	Two +43 dBm carriers

Block Diagram



Environmental Specifications

Operating Temperature	-40 °C to +65 °C (-40 °F to +149 °F)
Corrosion Test Method	IEC 60068-2-11, 30 days
Environmental Test Method	ETSI EN 300 019-1-4
Ingress Protection Test Method	IEC 60529:2001, IP67

Packaging and Weights

Included	Mounting hardware
Volume	4.45 L
Weight, net	6.5 kg 14.33 lb
Weight, without mounting hardware	6 kg 13.228 lb

E14F10P88
