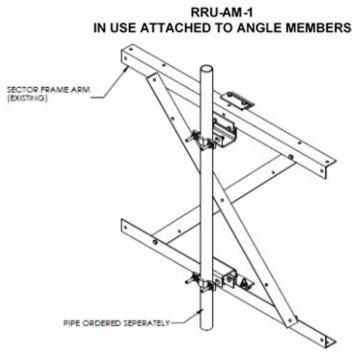


RRU-AM-1



RRU Angle Mount Kit for Angle Sector Frame Members (mounts 1.88 to 3.5in OD pipes to back of 90 degree angles 1.5in to 3in - Pipe not incl)

OBSOLETE

This product was discontinued on: February 22, 2019

Replaced By:

PAM

Universal Pipe-to-Angle Mount Kit for mounting 2in to 3.5in OD pipe to 90 degree angles 2in to 4in. HW incl for 2-3/8in pipe. (Pipe not incl)

Product Classification

Product Type Mounting kit

General Specifications

Mounting Angle Members 38.1–76.2 mm (1-1/2 in to 3 in)

Pipe, quantity 0

Dimensions

Height 228.6 mm | 9 in

Width 170.18 mm | 6.7 in

Length 101.6 mm | 4 in

Mounting Diameter, maximum 76.2 mm | 3 in

Mounting Diameter, minimum 38.1 mm | 1.5 in

Pipe Outer Diameter 48.26 mm | 1.9 in | 88.9 mm | 3.5 in

Material Specifications

Material Type Hot dip galvanized steel

Packaging and Weights

RRU-AM-1

Included	Angle brackets Attachment hardware
Packaging quantity	2
Weight, net	10.9 kg 24.03 lb

Regulatory Compliance/Certifications

Agency

ISO 9001:2015

Classification

Designed, manufactured and/or distributed under this quality management system

