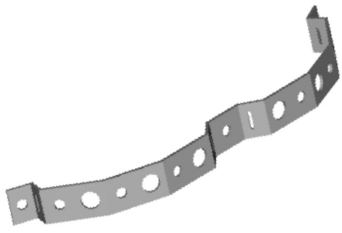


RM-USBG



Universal Round Member Support Bracket for six coaxial cable runs

Product Classification

Product Type Round Member Support Bracket

General Specifications

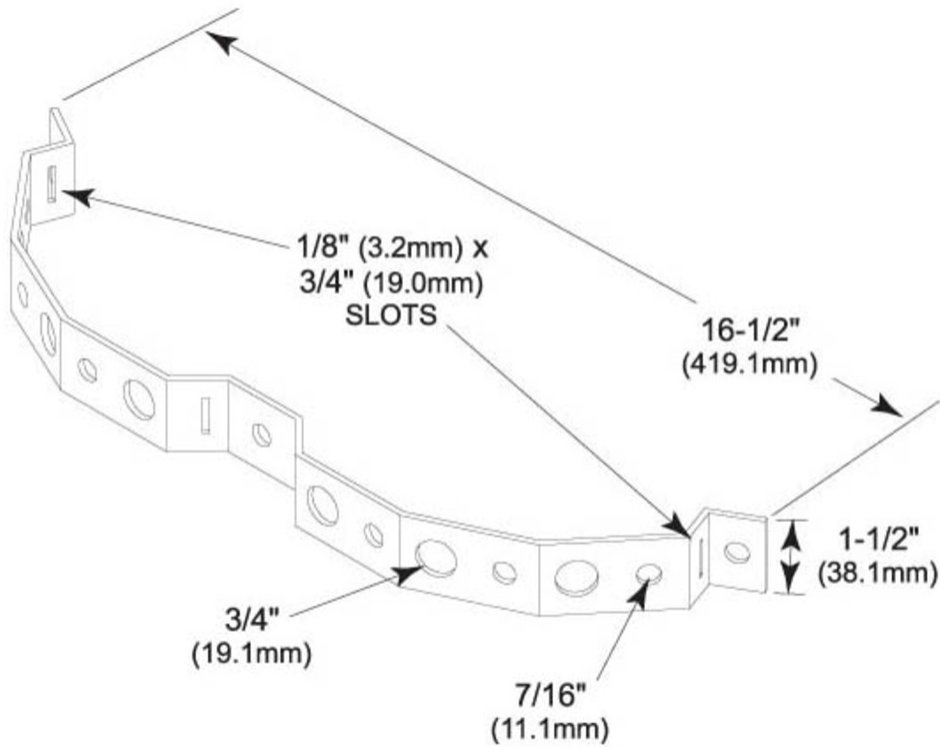
Cable Runs, quantity 6
Hole, quantity 6
Mounting Round member

Dimensions

Height 50.8 mm | 2 in
Width 431.8 mm | 17 in
Length 254 mm | 10 in
Hole Size 3/4 in | 7/16 in

RM-USBG

Outline Drawing



Material Specifications

Material Type Hot dip galvanized steel

Packaging and Weights

Included Brackets
Packaging quantity 10
Weight, net 4.1 kg | 9.039 lb

Regulatory Compliance/Certifications

Agency	Classification
ISO 9001:2015	Designed, manufactured and/or distributed under this quality management system
ROHS	Compliant
UK-ROHS	Compliant