

PB-G3S-4



Pipe Frame Stand-Off Bracket, 36 in, for 4 in to 8 in OD legs

OBSOLETE

This product was discontinued on: December 12, 2022

Replaced By:

PB-G3T-4

Tapered Pipe Frame Stand-Off Bracket, 36 in, for 4 in to 8 in OD legs

Product Classification

Product Type Stand-off mount

General Specifications

Mounting Legs, 101.6–203.2 mm (4–8 in) OD

Note Four 72 in x 8 in panel antennas per sector

Tower Taper Non-tapered

Dimensions

Height 1,447.8 mm | 57 in

Width 254 mm | 10 in

Length 838.2 mm | 33 in

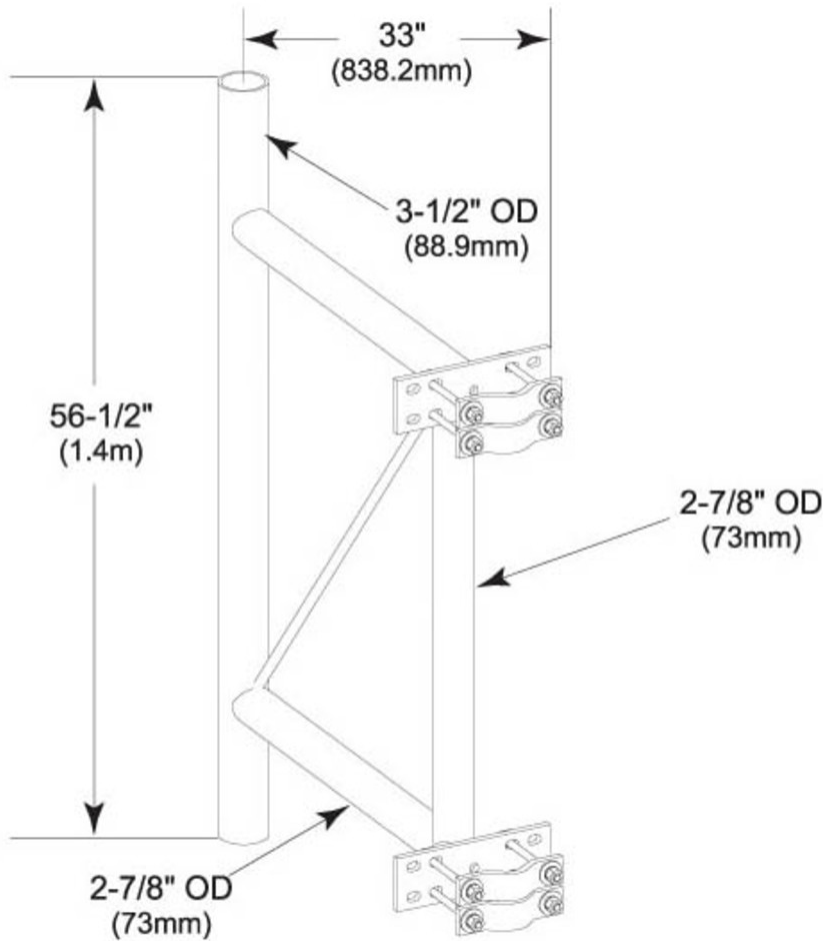
Mounting Diameter, maximum 203.2 mm | 8 in

Mounting Diameter, minimum 101.6 mm | 4 in

Stand-off Distance 914.4 mm | 36 in

PB-G3S-4

Outline Drawing



Material Specifications

Material Type Hot dip galvanized steel

Mechanical Specifications

Wind Rating 120 mph (BWS) at 150 ft AGL | 140 mph (3-second gust) at 150 ft AGL using Exposure D per FBC

Wind Rating Test Method TIA/EIA-222

Packaging and Weights

Included Clamps | Stand-off

Packaging quantity 1

PB-G3S-4

Weight, net 59.9 kg | 132.057 lb

Regulatory Compliance/Certifications

Agency	Classification
ISO 9001:2015	Designed, manufactured and/or distributed under this quality management system

* Footnotes

Wind Rating BWS—Base Wind Speed; FBC—Florida Building Code