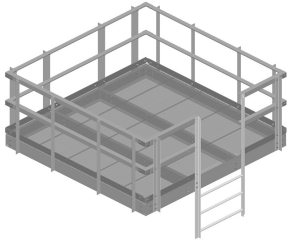


# MTC4038HR

---



8'x12' Equipment Platform Handrail Kit with Toe Board (for MTC4038 platforms)

## Product Classification

**Product Type**            Equipment platform system

## Dimensions

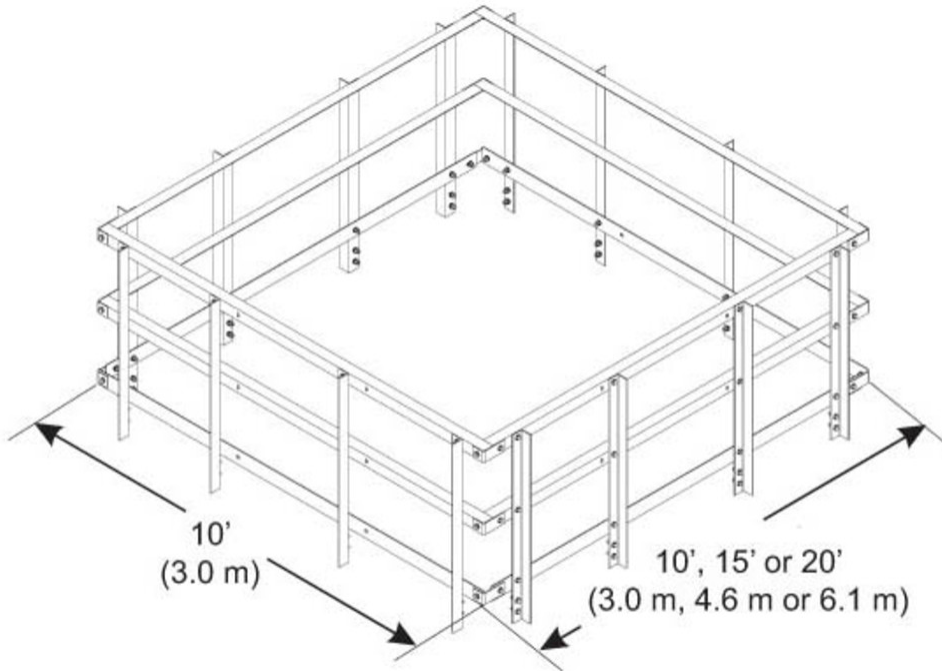
**Height**                    1,219.2 mm | 48 in

**Width**                     3,657.6 mm | 144 in

**Length**                    2,438.4 mm | 96 in

# MTC4038HR

## Outline Drawing



## Material Specifications

**Material Type** Hot dip galvanized steel

## Packaging and Weights

**Included** Angle brackets | Hardware | Posts

**Packaging quantity** 1

**Weight, net** 1,301.4 kg | 2,869.092 lb

## Regulatory Compliance/Certifications

Agency	Classification
CHINA-ROHS	Above maximum concentration value
ISO 9001:2015	Designed, manufactured and/or distributed under this quality management system
ROHS	Compliant/Exempted
UK-ROHS	Compliant/Exempted

# MTC4038HR

---

