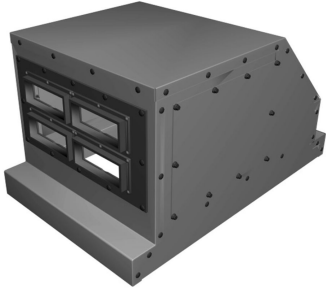


MT-366



Low Profile Rooftop Hood Entry, disassembled

- This item is now available as a custom product and is made to order

OBSOLETE

Product Classification

Product Type Entry kit

General Specifications

Mounting Roofs

Dimensions

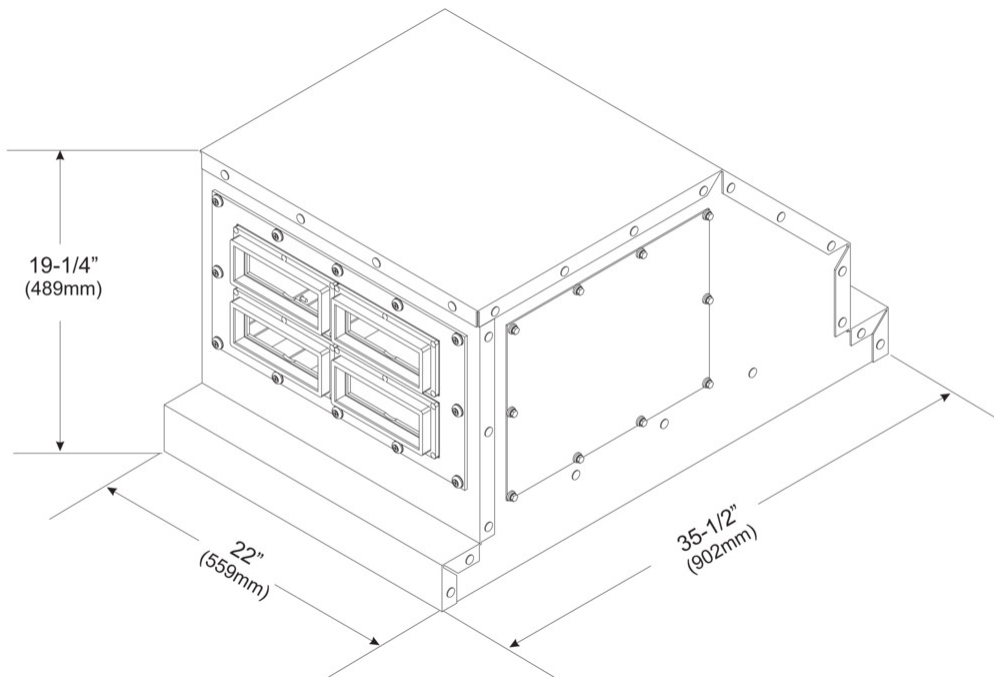
Height 508 mm | 20 in

Width 558.8 mm | 22 in

Length 901.7 mm | 35.5 in

MT-366

Outline Drawing



Material Specifications

Material Type Powder-coated steel

Mechanical Specifications

Wind Rating For Specifications, please contact steelproducts@commscope.com or call 800-255-1479

Packaging and Weights

Included Blank port cushions (4) | Entry panel | Hood

Packaging quantity 1

Weight, net 75.8 kg | 167.11 lb

* Footnotes

Wind Rating BWS—Base Wind Speed; FBC—Florida Building Code