

# MT-365P

---



Rooftop Hood Entry Kit - Cable Entry Kit Purchased Separately

**OBSOLETE**

## Product Classification

**Product Type**            Entry kit

## General Specifications

**Mounting**                Roofs

## Dimensions

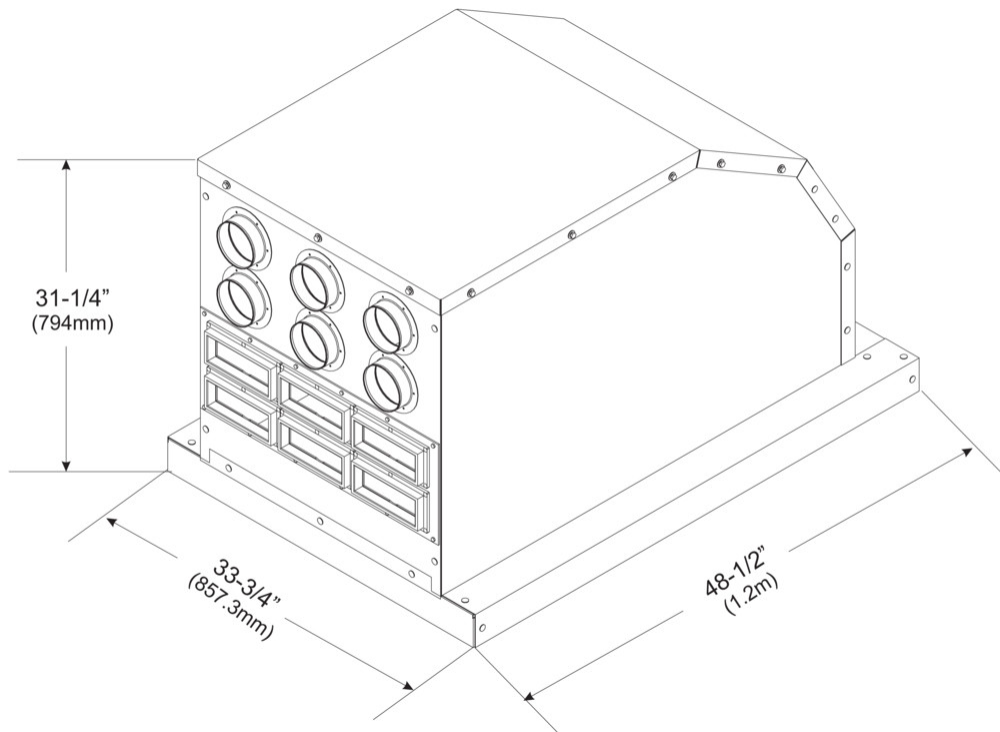
**Height**                 812.8 mm | 32 in

**Width**                 863.6 mm | 34 in

**Length**                1,244.6 mm | 49 in

# MT-365P

## Outline Drawing



## Material Specifications

**Material Type** Powder-coated steel

## Mechanical Specifications

**Wind Rating** For Specifications, please contact [steelproducts@commscope.com](mailto:steelproducts@commscope.com) or call 800-255-1479

## Packaging and Weights

**Included** Blank rectangular port cushions (6) | Entry panel | Hood | Round caps (6)

**Packaging quantity** 1

**Weight, net** 108.9 kg | 240.083 lb

## \* Footnotes

**Wind Rating** BWS—Base Wind Speed; FBC—Florida Building Code