

## Modular Jack Termination SL Tool Kit with Lacing Fixture



- Terminates all AMP-TWIST and SL Series Modular Jacks
- Strips cable, marks foil, terminates and cuts 8 conductors at once
- Maintains twisted pair integrity
- Time and cost saving simplifying lacing process and speeding up the termination
- Lacing fixture assures simple and efficient terminations (lacing fixture used only when terminating SL-style jacks)

### OBSOLETE

This product was discontinued on: April 1, 2019

#### Replaced By:

1725150-6

Modular Jack Termination SL Tool Kit with Lacing Fixture, for large cable diameter

## Product Classification

### Regional Availability

Asia | Australia/New Zealand | EMEA | Latin America | North America

### Portfolio

CommScope®

### Product Type

Modular jack tooling

## General Specifications

### Application

For use with AMP-TWIST 6S and 6AS SL outlets | For use with AMP-TWIST 7AS SL outlets | For use with SL Series outlets

## Dimensions

### Compatible Cable Diameter, maximum

7 mm | 0.276 in

## Environmental Specifications

### Environmental Space

Indoor

## Packaging and Weights

### Packaging quantity

1

### Packaging Type

Pouch

## Regulatory Compliance/Certifications

### Agency

### Classification

# 1725150-1

---

CHINA-ROHS

Below maximum concentration value

REACH-SVHC

Compliant as per SVHC revision on [www.commscope.com/ProductCompliance](http://www.commscope.com/ProductCompliance)

ROHS

Compliant



## Included Products

- 1673956-6 – Modular Jack Lacing Fixture for SL Tool
- 1725150-3 – Modular Jack Termination SL Tool Kit without Lacing Fixture

# 1673956-6

---

## Modular Jack Lacing Fixture for SL Tool



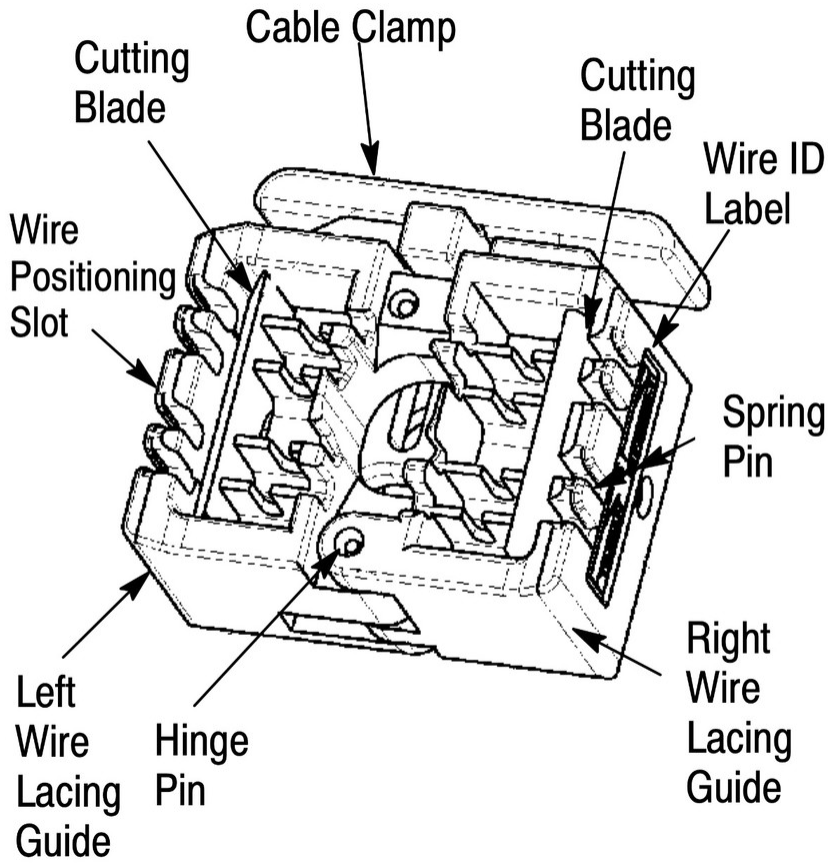
### Product Classification

<b>Regional Availability</b>	Asia   Australia/New Zealand   EMEA   Latin America   North America
<b>Portfolio</b>	CommScope®
<b>Product Type</b>	Modular jack tooling

### General Specifications

<b>Application</b>	For use with SL Series outlets
--------------------	--------------------------------

### Outline Drawing



## Environmental Specifications

**Environmental Space** Indoor

## Packaging and Weights

**Packaging quantity** 1

**Packaging Type** Box | Carton



## Modular Jack Termination SL Tool Kit without Lacing Fixture

- Terminates all AMP-TWIST Jacks
- Strips cable, marks foil, terminates and cuts 8 conductors at once
- Maintains twisted pair integrity
- Time and cost saving simplifying lacing process and speeding up the termination

## Product Classification

<b>Regional Availability</b>	Asia   Australia/New Zealand   EMEA   Latin America   North America
<b>Portfolio</b>	CommScope®
<b>Product Type</b>	Modular jack tooling

## General Specifications

<b>Application</b>	For use with AMP-TWIST 6S and 6AS SL outlets   For use with AMP-TWIST 7AS SL outlets
--------------------	--

## Dimensions

<b>Compatible Cable Diameter, maximum</b>	7 mm   0.276 in
---	-----------------

## Environmental Specifications

<b>Environmental Space</b>	Indoor
----------------------------	--------

## Packaging and Weights

<b>Packaging quantity</b>	1
<b>Packaging Type</b>	Pouch

## Regulatory Compliance/Certifications

<b>Agency</b>	<b>Classification</b>
CHINA-ROHS	Below maximum concentration value
REACH-SVHC	Compliant as per SVHC revision on <a href="http://www.commscope.com/ProductCompliance">www.commscope.com/ProductCompliance</a>
ROHS	Compliant

