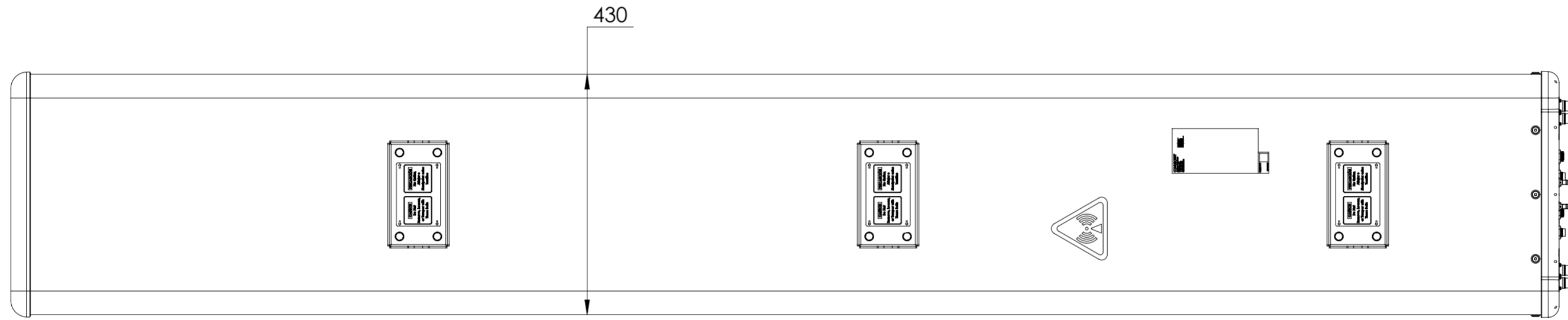
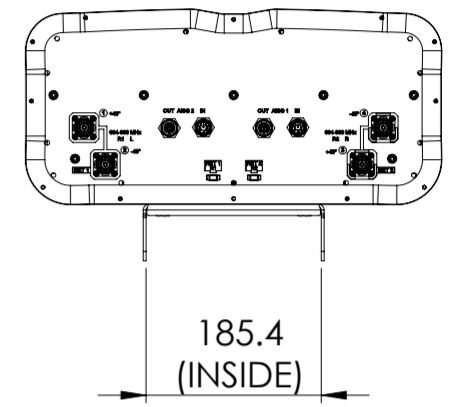
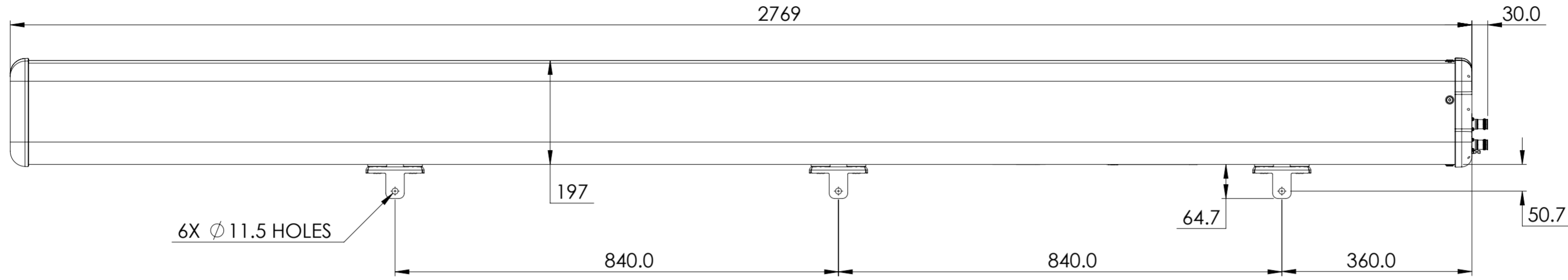


NOTES:

REVISIONS			
REV.	DESCRIPTION	DATE	APPROVED
A	ECR 8000041271: RELEASE TO PRODUCTION PER EAO 608412.	10AUG20 CMY	GZB/XL
B	ECR 8000044148: UPDATE DRAWING WITH LATEST MODEL.	10DEC20 YJP	DM.WANG/YZLI



RR-65D-R2N43

COMMSCOPE, INC. OF NORTH CAROLINA

TOLERANCES		SAP MATERIAL MASTER				
0 PLACE X ±	2 PLACE .XX ±					
1 PLACE .X ±	ANGLES ±					
FINISH		MATERIAL				
<small>UNLESS OTHERWISE SPECIFIED DIMENSIONS ARE IN MILLIMETERS INTERPRET PER ISO STANDARDS HANDBOOK TECHNICAL DRAWINGS VOLUMES 1 & 2, THIRD EDITION (2002)</small>		NAME	DATE			
		MC1105	08/10/2020			
		JYANG4	12/10/2020			
		DW1030	12/14/2020			
		YL1022	12/14/2020			
ZHHCHEN	12/14/2020	PRODUCT DRAWING				
ECN 8000044148-O						
SCALE	DOCUMENT NO.					
1:8	RR-65D-R2N43-L					
SIZE	WORK AREA	23	MODEL			
A2		DRAWING				
		VERSION	STATUS	REVISION	VERSION	STATUS
01	RE	B	01	RE	B	SHEET
						1 OF 1