

E15S02P67



Dual Band Tower Mounted Amplifier, 1800//2600 MHz, 12 dB, 2 BTS & 4 ANT ports, AISG with 1 RET connector (1 device with 4 sub-units)

OBSOLETE

This product was discontinued on: December 31, 2023

Product Classification

Product Type 1-BTS:2-ANT (Diplex) | Tower mounted amplifier

General Specifications

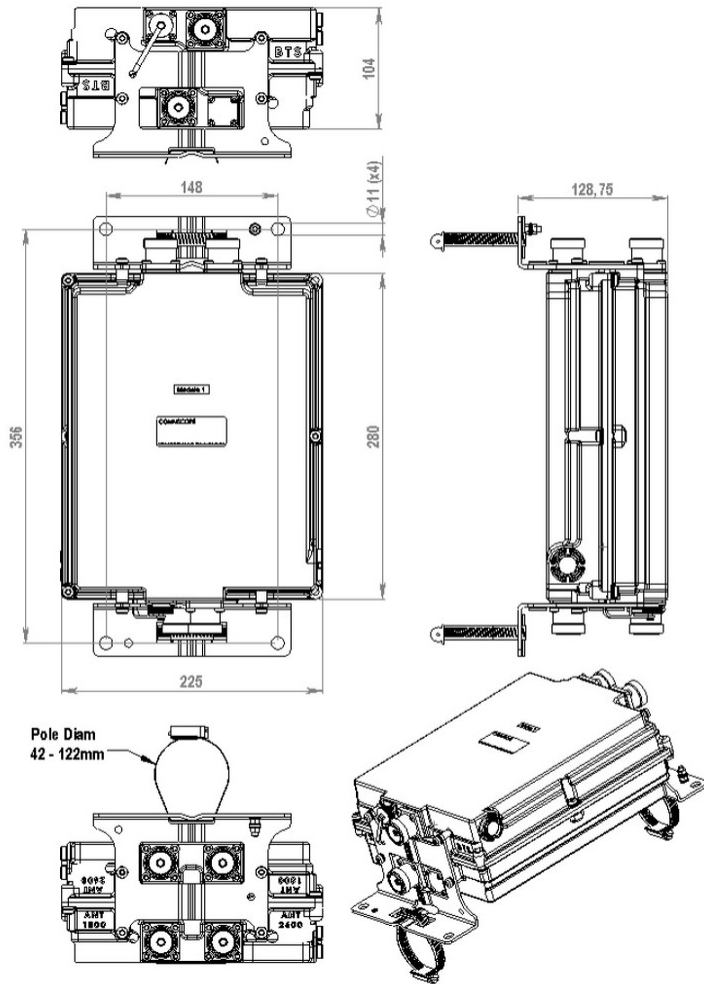
Color Gray
Modularity 2-Twin
Mounting Pole | Wall
Mounting Pipe Hardware Band clamps (2)
RF Connector Interface 7-16 DIN Female

Dimensions

Height 280 mm | 11.024 in
Width 225 mm | 8.858 in
Depth 104 mm | 4.094 in
Mounting Pipe Diameter Range 50–120 mm

E15S02P67

Outline Drawing



Electrical Specifications

License Band, LNA DCS 1800 | IMT 2600

Electrical Specifications, dc Power/Alarm

dc Switching/Redundancy	Yes
Lightning Surge Current	10 kA
Lightning Surge Current Waveform	8/20 waveform
Voltage	7-30 Vdc
Alarm Current, CWA Mode	190 mA \pm 10 mA

Electrical Specifications, AISG

E15S02P67

AISG Connector	8-pin DIN Female
AISG Connector Standard	IEC 60130-9
Protocol	AISG 2.0
Voltage, AISG Mode	10–30 Vdc

Electrical Specifications

Sub-module	1 2	1 2
Branch	1	2
Port Designation	ANT 1800	ANT 2600
License Band	DCS 1800, LNA	IMT 2600, LNA
Return Loss - Bypass Mode, typical, dB	14	14

Electrical Specifications Rx (Uplink)

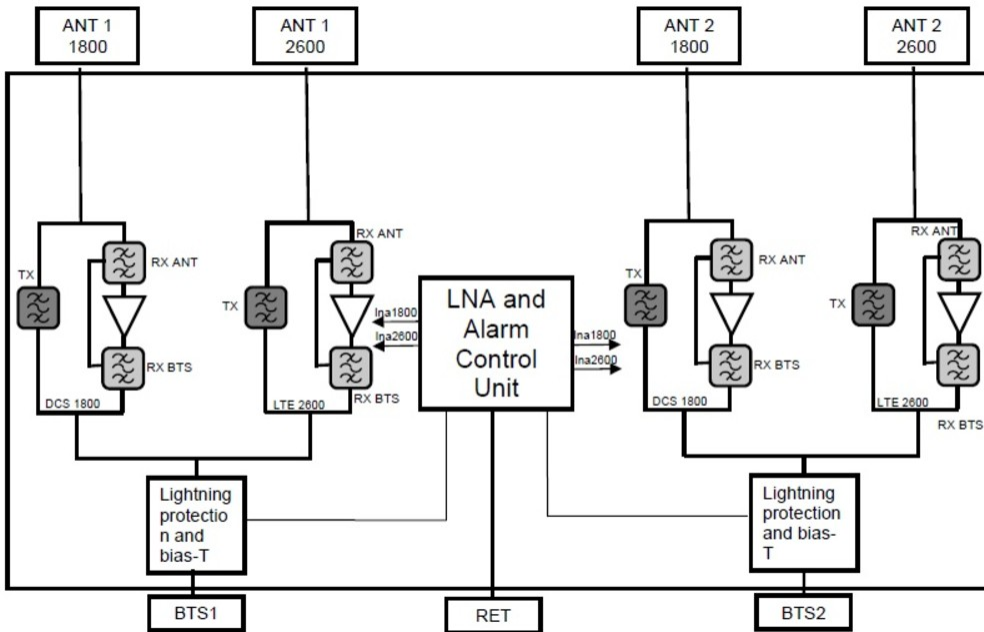
Frequency Range, MHz	1710–1785	2500–2570
Bandwidth, MHz	75	70
Gain, nominal, dB	12	12
Noise Figure, typical, dB	1.5	1.6
Return Loss, minimum, dB	18	18
Insertion Loss - Bypass Mode, typical, dB	3	3.3

Electrical Specifications Tx (Downlink)

Frequency Range, MHz	1805–1880	2620–2690
Bandwidth, MHz	75	70
Insertion Loss, typical, dB	0.5	0.5
Return Loss, minimum, dB	18	18
Input Power, RMS, maximum, W	200	200
Input Power, PEP, maximum, W	2000	2000
3rd Order PIM, maximum, dBc	-153	-153
3rd Order PIM Test Method	Two +43 dBm carriers Two +43 dBm carriers	

Block Diagram

E15S02P67



Mechanical Specifications

Wind Speed, maximum 200 km/h (124 mph)

Environmental Specifications

Operating Temperature -40 °C to +65 °C (-40 °F to +149 °F)

Relative Humidity Up to 100%

Corrosion Test Method IEC 60068-2-11, 30 days

Ingress Protection Test Method IEC 60529:2001, IP67

Packaging and Weights

Included Mounting hardware

Volume 6.5 L

Weight, net 7 kg | 15.432 lb

Regulatory Compliance/Certifications

Agency

ISO 9001:2015

Classification

Designed, manufactured and/or distributed under this quality management system



* Footnotes

License Band, LNA License Bands that have RxUplink amplification