

# CA-SFDM

---



## SMA Female to 7/16 DIN Male Adapter

### Product Classification

**Product Type** Adapter

### General Specifications

**Body Style** Straight

**Inner Contact Plating** Silver

**Interface** SMA Female

**Interface 2** 7-16 DIN Male

**Outer Contact Plating** Trimetal

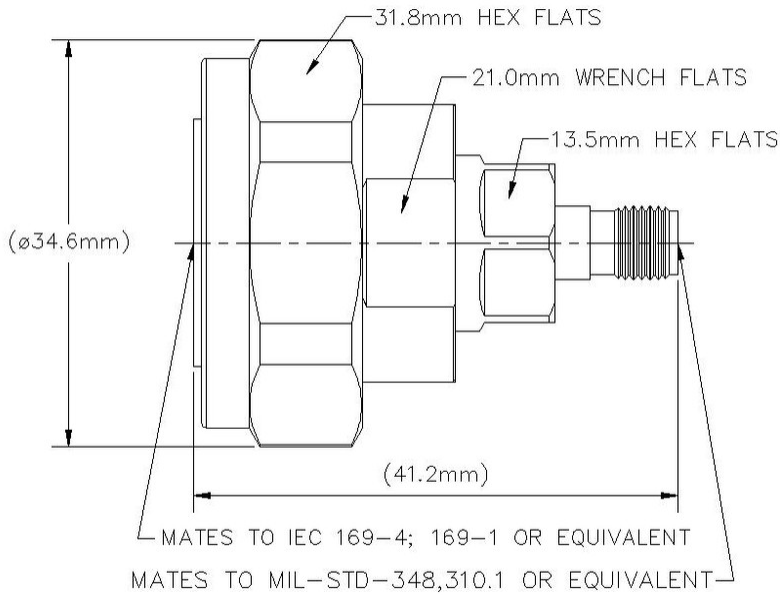
### Dimensions

**Length** 41.23 mm | 1.623 in

**Diameter** 34.6 mm | 1.362 in

### Outline Drawing

# CA-SFDM



## Electrical Specifications

|   |              |
|---|--------------|
| <b>Connector Impedance</b>                  | 50 ohm       |
| <b>dc Test Voltage</b>                      | 1000 V       |
| <b>Inner Contact Resistance, maximum</b>    | 3 mOhm       |
| <b>Insulation Resistance, minimum</b>       | 5000 MOhm    |
| <b>Operating Frequency Band</b>             | 0 – 6000 MHz |
| <b>Outer Contact Resistance, maximum</b>    | 2.5 mOhm     |
| <b>RF Operating Voltage, maximum (vrms)</b> | 500 V        |

## VSWR/Return Loss

| Frequency Band | VSWR  | Return Loss (dB) |
|----------------|-------|------------------|
| 0-3000 MHz     | 1.052 | 31.92            |
| 3000-6000 MHz  | 1.083 | 27.99            |

## Mechanical Specifications

|   |                        |
|---|------------------------|
| <b>Coupling Nut Proof Torque</b>        | 50 N-m   442.537 in lb |
| <b>Coupling Nut Proof Torque Method</b> | IEC 61169-4:9.3.6      |

# CA-SFDM

---

|  |                      |
|--|----------------------|
| <b>Coupling Nut Retention Force</b>        | 1000 N   224.809 lbf |
| <b>Coupling Nut Retention Force Method</b> | IEC 61169-4:9.3.11   |
| <b>Interface Durability</b>                | 500 cycles           |
| <b>Mechanical Shock Test Method</b>        | IEC 60068-2-27       |

## Environmental Specifications

|   |                                       |
|---|---------------------------------------|
| <b>Operating Temperature</b>                      | -55 °C to +85 °C (-67 °F to +185 °F)  |
| <b>Storage Temperature</b>                        | -65 °C to +125 °C (-85 °F to +257 °F) |
| <b>Attenuation, Ambient Temperature</b>           | 20 °C   68 °F                         |
| <b>Average Power, Ambient Temperature</b>         | 40 °C   104 °F                        |
| <b>Average Power, Inner Conductor Temperature</b> | 100 °C   212 °F                       |
| <b>Climatic Sequence Test Method</b>              | IEC 60068-1                           |
| <b>Corrosion Test Method</b>                      | IEC 60068-2-11                        |
| <b>Damp Heat Steady State Test Method</b>         | IEC 60068-2-3                         |
| <b>Thermal Shock Test Method</b>                  | IEC 60068-2-14                        |
| <b>Vibration Test Method</b>                      | IEC 60068-2-6                         |

## Packaging and Weights

|                    |                    |
|--------------------|--------------------|
| <b>Weight, net</b> | 88.71 g   0.196 lb |
|--------------------|--------------------|

## Regulatory Compliance/Certifications

| <b>Agency</b> | <b>Classification</b>  |
|---------------|--|
| ISO 9001:2015 | Designed, manufactured and/or distributed under this quality management system |

