

C250DFBH-20



7-16 DIN Female Bulkhead for 1/4 in CF250-50 cable

Product Classification

Product Type	Wireless and radiating connector
Product Series	CF250-50

General Specifications

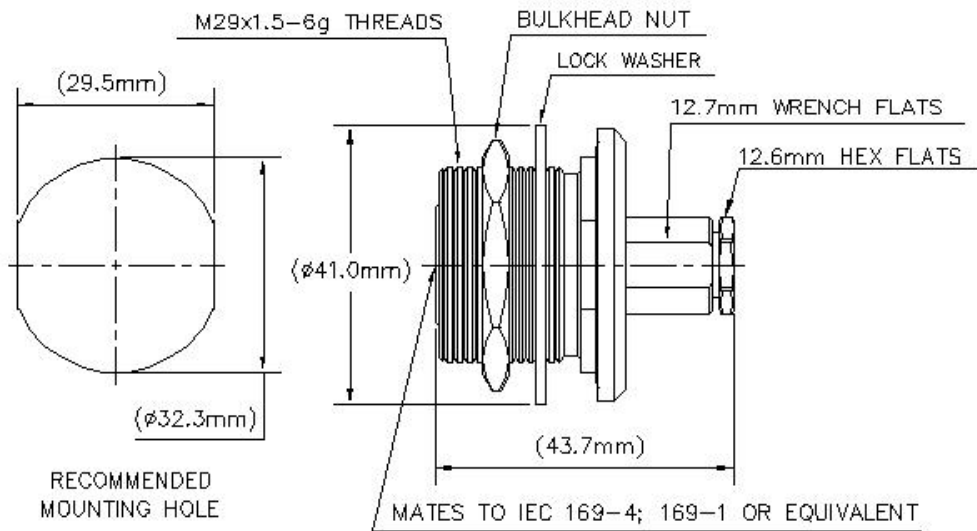
Body Style	Bulkhead
Cable Family	CF250-50
Inner Contact Attachment Method	Captivated
Inner Contact Plating	Silver
Interface	7-16 DIN Female
Mounting Angle	Straight
Outer Contact Attachment Method	Solder
Outer Contact Plating	Silver
Pressurizable	No

Dimensions

Height	40.89 mm 1.61 in
Width	40.89 mm 1.61 in
Length	43.69 mm 1.72 in
Diameter	40.89 mm 1.61 in
Nominal Size	1/4 in

Outline Drawing

C250DFBH-20



Electrical Specifications

3rd Order IMD at Frequency	-90 dBm @ 910 MHz
3rd Order IMD Test Method	Two +43 dBm carriers
Average Power at Frequency	1.0 kW @ 900 MHz
Cable Impedance	50 ohm
Connector Impedance	50 ohm
Inner Contact Resistance, maximum	1.5 mOhm
Insulation Resistance, minimum	10000 MOhm
Operating Frequency Band	0 – 6000 MHz
Outer Contact Resistance, maximum	0.4 mOhm
Shielding Effectiveness	-100 dB

VSWR/Return Loss

Frequency Band	VSWR	Return Loss (dB)
824–2700 MHz	1.074	28.95
3000–6000 MHz	1.433	14.99

Mechanical Specifications

Coupling Nut Proof Torque Method	IEC 61169-16:9.3.11
Insertion Force	889.64 N 200 lbf

C250DFBH-20

Insertion Force Method	IEC 61169-16:9.3.5
Interface Durability	500 cycles
Interface Durability Method	IEC 61169-4:17
Mechanical Shock Test Method	IEC 60068-2-27

Environmental Specifications

Operating Temperature	-55 °C to +85 °C (-67 °F to +185 °F)
Storage Temperature	-65 °C to +125 °C (-85 °F to +257 °F)
Attenuation, Ambient Temperature	20 °C 68 °F
Average Power, Ambient Temperature	40 °C 104 °F
Average Power, Inner Conductor Temperature	100 °C 212 °F
Corrosion Test Method	IEC 60068-2-11
Moisture Resistance Test Method	IEC 60068-2-3
Thermal Shock Test Method	IEC 60068-2-14
Vibration Test Method	IEC 60068-2-6

Packaging and Weights

Weight, net	147.57 g 0.325 lb
--------------------	---------------------