

# A5HM-D

---



D-Class 4.3-10 Male for 7/8 in AVA5-50 and AVA5-50FX cable

## Product Classification

<b>Product Type</b>	Wireless and radiating connector
<b>Product Series</b>	AVA5-50   AVA5-50FX   AVA5RK-50
<b>Ordering Note</b>	ANDREW® standard product (Global)

## General Specifications

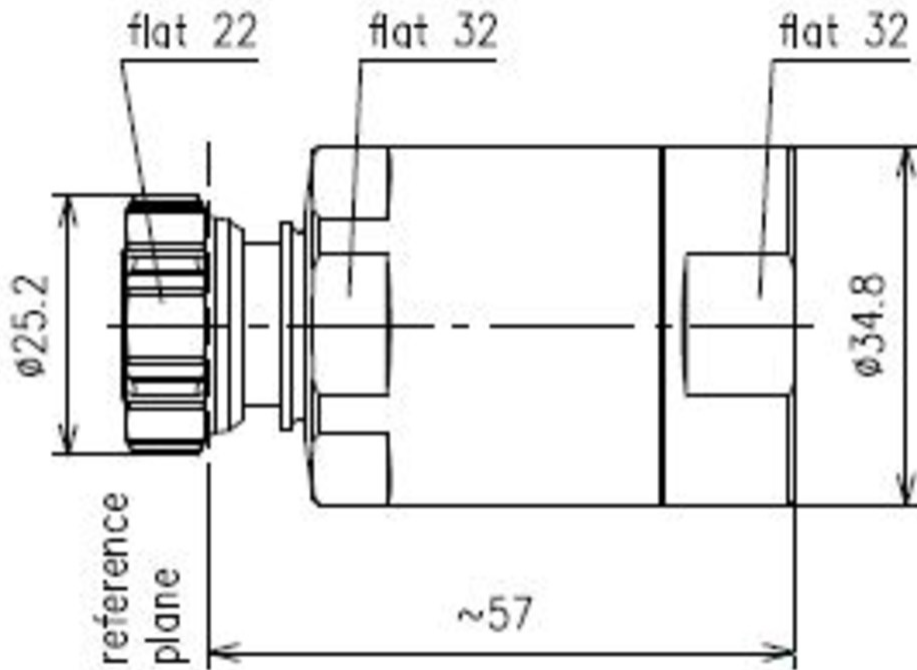
<b>Body Style</b>	Straight
<b>Cable Family</b>	AVA5-50   AVA5-50FX
<b>Inner Contact Attachment Method</b>	Captivated
<b>Inner Contact Plating</b>	Silver
<b>Interface</b>	4.3-10 Male
<b>Mounting Angle</b>	Straight
<b>Outer Contact Plating</b>	Trimetal
<b>Pressurizable</b>	No

## Dimensions

<b>Length</b>	67.06 mm   2.64 in
<b>Diameter</b>	34.8 mm   1.37 in
<b>Nominal Size</b>	7/8 in

## Outline Drawing

# A5HM-D



## Electrical Specifications

<b>3rd Order IMD at Frequency</b>	-166 dBc @ 1800 MHz
<b>3rd Order IMD Dynamic Test Method</b>	Two +43 dBm carriers
<b>3rd Order IMD Test Method</b>	Two +43 dBm carriers
<b>Insertion Loss Coefficient, typical</b>	0.05
<b>Average Power at Frequency</b>	3.0 kW @ 900 MHz
<b>Cable Impedance</b>	50 ohm
<b>Connector Impedance</b>	50 ohm
<b>dc Test Voltage</b>	4000 V
<b>Inner Contact Resistance, maximum</b>	0.4 mOhm
<b>Insulation Resistance, minimum</b>	5000 MOhm
<b>Operating Frequency Band</b>	0 – 5000 MHz
<b>Outer Contact Resistance, maximum</b>	1.5 mOhm
<b>Peak Power, maximum</b>	40 kW
<b>RF Operating Voltage, maximum (vrms)</b>	1415 V
<b>Shielding Effectiveness</b>	-130 dB

# A5HM-D

---

## VSWR/Return Loss

Frequency Band	VSWR	Return Loss (dB)
0–1000 MHz	1.02	40.09
1000–2700 MHz	1.052	31.92
2700–3800 MHz	1.065	30.04

## Mechanical Specifications

<b>Attachment Durability</b>	25 cycles
<b>Connector Retention Tensile Force</b>	1,334.47 N   300 lbf
<b>Connector Retention Torque</b>	8.14 N-m   72.001 in lb
<b>Insertion Force</b>	200.17 N   45 lbf
<b>Insertion Force Method</b>	IEC 61169-1:15.2.4
<b>Interface Durability</b>	50 cycles
<b>Interface Durability Method</b>	IEC 61169-4:9.5
<b>Mechanical Shock Test Method</b>	IEC 60068-2-27

## Environmental Specifications

<b>Operating Temperature</b>	-40 °C to +85 °C (-40 °F to +185 °F)
<b>Storage Temperature</b>	-55 °C to +85 °C (-67 °F to +185 °F)
<b>Attenuation, Ambient Temperature</b>	20 °C   68 °F
<b>Average Power, Ambient Temperature</b>	40 °C   104 °F
<b>Corrosion Test Method</b>	IEC 60068-2-11
<b>Immersion Depth</b>	1 m
<b>Immersion Test Mating</b>	Mated
<b>Immersion Test Method</b>	IEC 60529:2001, IP68
<b>Moisture Resistance Test Method</b>	MIL-STD-202F, Method 106F
<b>Thermal Shock Test Method</b>	MIL-STD-202, Method 107, Test Condition A-1, -55 °C to +85 °C
<b>Vibration Test Method</b>	IEC 60068-2-6
<b>Water Jetting Test Mating</b>	Mated
<b>Water Jetting Test Method</b>	IEC 60529:2001, IP66

# A5HM-D

---

## Packaging and Weights

**Weight, net** 165.5 g | 0.365 lb

## Regulatory Compliance/Certifications

Agency	Classification
CHINA-ROHS	Above maximum concentration value
ISO 9001:2015	Designed, manufactured and/or distributed under this quality management system
ROHS	Compliant/Exempted
UK-ROHS	Compliant/Exempted



## \* Footnotes

**Insertion Loss Coefficient, typical** 0.05√freq (GHz) (not applicable for elliptical waveguide)

**Immersion Depth** Immersion at specified depth for 24 hours