

F Flange Female for 1/2 in cable

OBSOLETE

Product Classification

Product Type Wireless and radiating connector

General Specifications

Body Style Straight

Inner Contact Attachment Method Solder

Inner Contact Plating Silver

Interface F Flange Female

Mounting Angle Straight

Outer Contact Attachment Method Self-flare

Outer Contact Plating Unplated

Pressurizable No

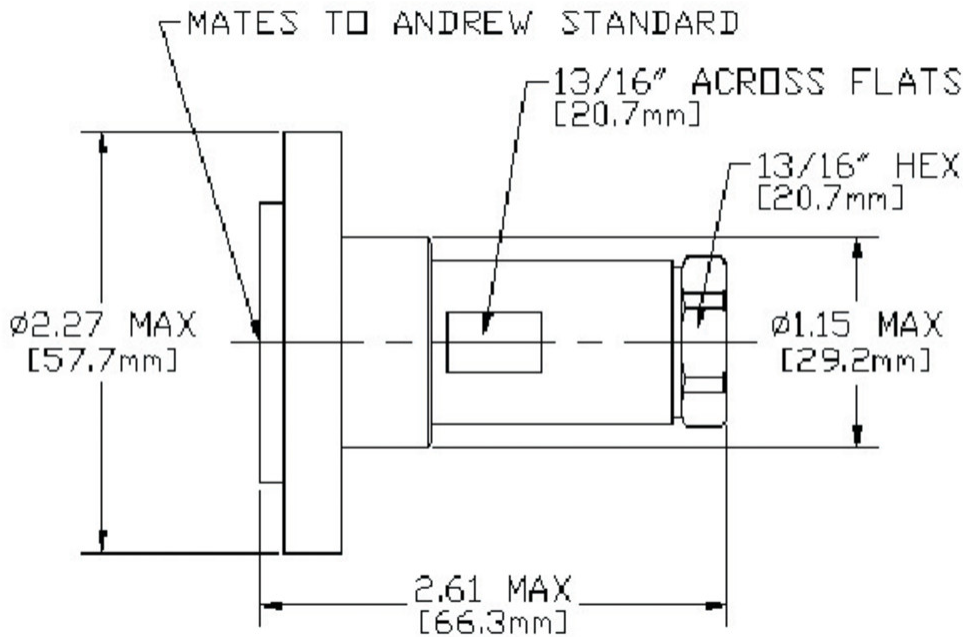
Dimensions

Length 58.42 mm | 2.3 in

Diameter 58.42 mm | 2.3 in

Nominal Size 1/2 in

Outline Drawing



Electrical Specifications

Insertion Loss Coefficient, typical	0.05
Cable Impedance	50 ohm
Operating Frequency Band	0 – 3000 MHz

VSWR/Return Loss

Frequency Band	VSWR	Return Loss (dB)
45–600 MHz	1.119	25.01
600–1200 MHz	1.152	23.02
1200–3000 MHz	1.222	20.01

Mechanical Specifications

Attachment Durability	25 cycles
Connector Retention Tensile Force	889.64 N 200 lbf
Connector Retention Torque	5.42 N-m 47.998 in lb

Environmental Specifications

Attenuation, Ambient Temperature	20 °C 68 °F
---	---------------

209865

Average Power, Ambient Temperature 40 °C | 104 °F

Packaging and Weights

Weight, net 289 g | 0.637 lb

Regulatory Compliance/Certifications

Agency

ISO 9001:2015

Classification

Designed, manufactured and/or distributed under this quality management system

* Footnotes

Insertion Loss Coefficient, typical $0.05\sqrt{\text{freq}} \text{ (GHz)}$ (not applicable for elliptical waveguide)