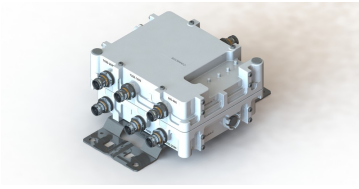


# E14F10P89

---



Twin Triplexer 380-960/1350-1880/1920-2690, DC/AISG Smart bypass functionality, 4.3-10 connectors

- New 4.3-10 connectors for improved PIM performance and size reduction
- Twin configuration
- DC/AISG SMART bypass functionality

## Product Classification

**Product Type** Triplexer

## General Specifications

**Color** Gray

**Modularity** 2-Twin

**Mounting** Pole | Wall

**Mounting Pipe Hardware** Band clamps (2)

**RF Connector Interface** 4.3-10 Female

## Dimensions

**Height** 103.2 mm | 4.063 in

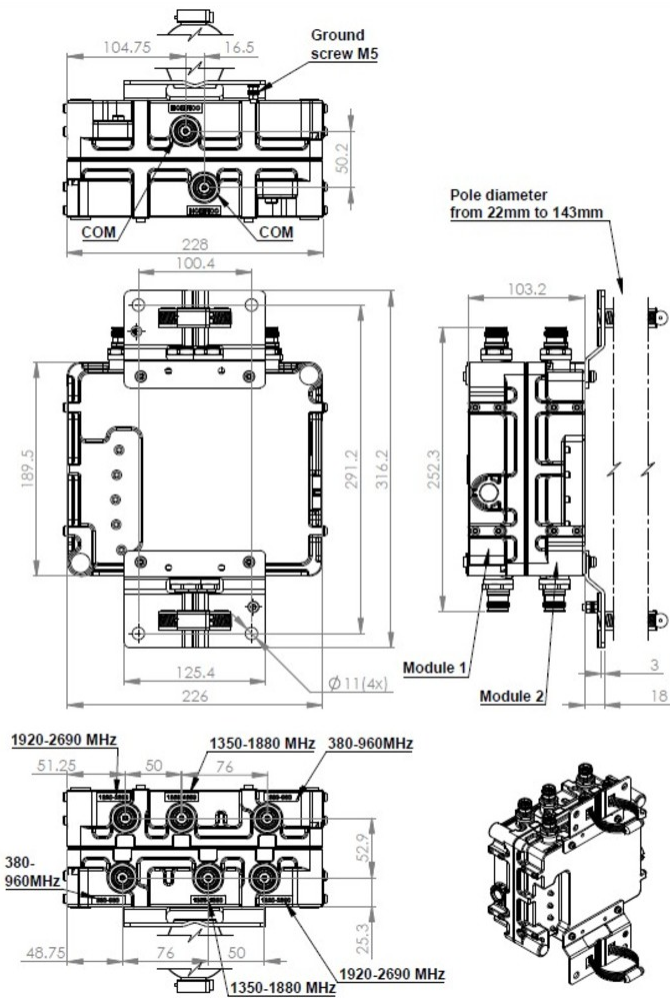
**Width** 226 mm | 8.898 in

**Depth** 189.5 mm | 7.461 in

**Mounting Pipe Diameter Range** 42.6–122 mm

## Outline Drawing

# E14F10P89



## Electrical Specifications

<b>Impedance</b>	50 ohm
<b>Electrical Specifications, dc Power/Alarm</b>	
<b>dc/AISG Pass-through Method</b>	Auto sensing
<b>dc/AISG Pass-through, combiner</b>	Autosensing
<b>dc/AISG Pass-through, demultiplexer</b>	Autosensing
<b>Lightning Surge Current</b>	10 kA
<b>Lightning Surge Current Waveform</b>	8/20 waveform

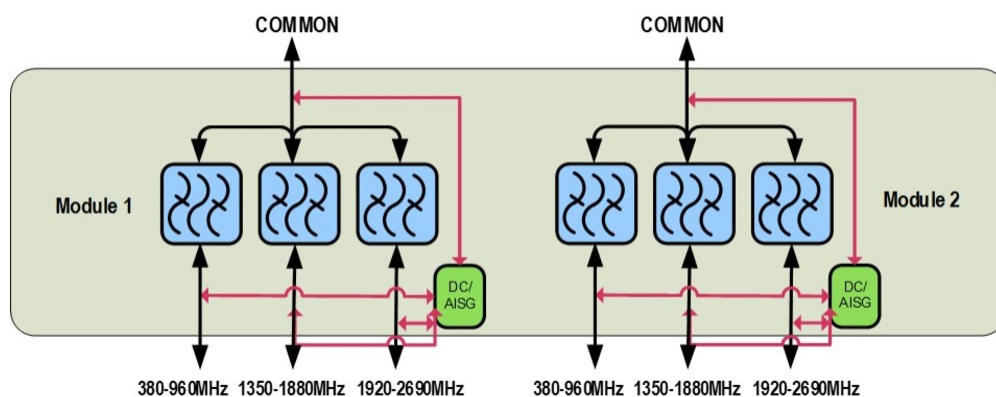
## Electrical Specifications

<b>Sub-module</b>	1   2	1   2	1   2
-------------------	-------	-------	-------

# E14F10P89

<b>Branch</b>	1	2	3
<b>Port Designation</b>	380-960	1350-1880	1920-2690
<b>Electrical Specifications, Band Pass</b>			
<b>Frequency Range, MHz</b>	<b>698–960</b>	<b>1350–1880</b>	<b>1920–2690</b>
<b>Insertion Loss, typical, dB</b>	0.25	0.35	0.35
<b>Return Loss, typical, dB</b>	20	20	20
<b>Isolation, typical, dB</b>	52	52	52
<b>Input Power, RMS, maximum, W</b>	200	200	200
<b>Input Power, PEP, maximum, W</b>	2000	2000	2000
<b>3rd Order PIM, typical, dBc</b>	-162	-162	-162
<b>3rd Order PIM Test Method</b>	Two +43 dBm carriers	Two +43 dBm carriers	Two +43 dBm carriers

## Block Diagram



## Environmental Specifications

<b>Operating Temperature</b>	-40 °C to +65 °C (-40 °F to +149 °F)
<b>Corrosion Test Method</b>	IEC 60068-2-11, 30 days
<b>Environmental Test Method</b>	ETSI EN 300 019-1-4
<b>Ingress Protection Test Method</b>	IEC 60529:2001, IP67

## Packaging and Weights

<b>Included</b>	Mounting hardware
<b>Volume</b>	4.45 L
<b>Weight, net</b>	6.5 kg   14.33 lb
<b>Weight, without mounting hardware</b>	6 kg   13.228 lb

