

SQX781926-43 | E14F55P13



Compact Quadplexer, 700/850/PCS/AWS-WCS-BRS, 4.3-10

- BTS-to-feeder and feeder-to-antenna application
- New 4.3-10 connectors for improved PIM performance and size reduction
- dc/AISG blocking on all ports
- Compact form factor with reduced size and weight
- Available in single (SQX781926-43) and twin (SQX781926T-43) configurations

Product Classification

Product Type Quadplexer

General Specifications

Color Gray

Common Port Label Common

Modularity 1-Single

Mounting Pole | Wall

Mounting Pipe Hardware Band clamps (2)

RF Connector Interface 4.3-10 Female

RF Connector Interface Body Style Medium neck

Dimensions

Height 140 mm | 5.512 in

Width 248 mm | 9.764 in

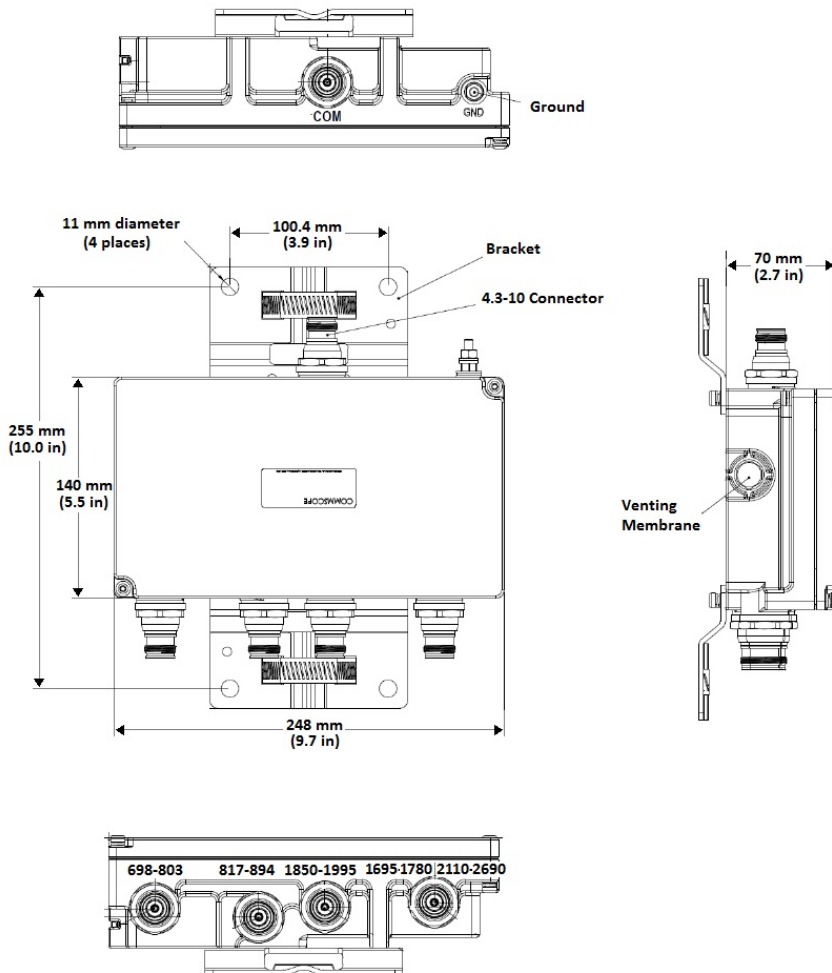
Depth 70 mm | 2.756 in

Ground Screw Diameter 6 mm | 0.236 in

Mounting Pipe Diameter Range 42.6–122 mm

SQX781926-43 | E14F55P13

Outline Drawing



Electrical Specifications

Impedance	50 ohm
License Band, Band Pass	AWS 1700 CEL 850 LMR 750 PCS 1900 TDD 2600 USA 700 USA 750 WCS 2300

Electrical Specifications, dc Power/Alarm

Lightning Surge Current	5 kA
Lightning Surge Current Waveform	8/20 waveform

Electrical Specifications

Sub-module	1	1	1	1
-------------------	---	---	---	---

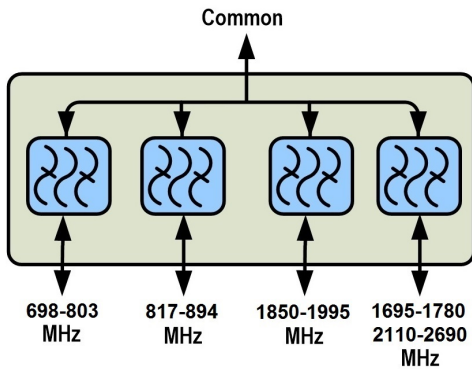
SQX781926-43 | E14F55P13

Branch	1	2	3	4
Port Designation	698-803	817-894	1850-1995	AWS-WCS-BRS
License Band	USA 700, Band Pass	CEL 850, Band Pass	PCS 1900, Band Pass	AWS 1700, Band Pass WCS 2300, Band Pass TDD 2600, Band Pass

Electrical Specifications, Band Pass

Frequency Range, MHz	698-803	817-894	1850-1995	1695-1780 2110-2200 2300-2690
Insertion Loss, typical, dB	0.3	0.3	0.2	0.2
Total Group Delay, maximum, ns	40	55	25	25
Return Loss, minimum, dB	20	20	20	20
Return Loss, typical, dB	23	23	23	22
Isolation, typical, dB	40	40	40	40
Input Power, RMS, maximum, W	100	100	100	100
Input Power, PEP, maximum, W	1000	1000	1000	1000
3rd Order PIM, maximum, dBc	-161	-161	-161	-161
3rd Order PIM Test Method	2 x 20 W CW tones	2 x 20 W CW tones	2 x 20 W CW tones	2 x 20 W CW tones

Block Diagram



Environmental Specifications

Operating Temperature	-40 °C to +65 °C (-40 °F to +149 °F)
Corrosion Test Method	IEC 60068-2-11, 30 days
Ingress Protection Test Method	IEC 60529:2001, IP67

Packaging and Weights

Included	Mounting hardware
-----------------	-------------------

SQX781926-43 | E14F55P13

Mounting Hardware Weight 0.5 kg | 1.102 lb

Weight, without mounting hardware 3.1 kg | 6.834 lb