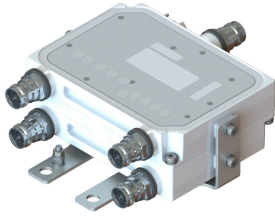


# E14F05P89

---



## Ultra Compact Twin Diplexer 700-800/900, 4.3-10 connectors.

- Ideal for small cell applications
- Compact form factor with reduced size and weight
- Suitable for space limited applications like Metro Cell, Lamp Pole, Concealment Solution and Macro Site
- New 4.3-10 connectors for improved PIM performance and size reduction
- Twin configuration

## Product Classification

**Product Type** Diplexer

## General Specifications

**Product Family** CBC789

**Color** Gray

**Common Port Label** PORT 3 COMMON

**Modularity** 2-Twin

**Mounting** Pole | Wall

**Mounting Pipe Hardware** Band clamps (2)

**RF Connector Interface** 4.3-10 Female

**RF Connector Interface Body Style** Long neck

## Dimensions

**Height** 60 mm | 2.362 in

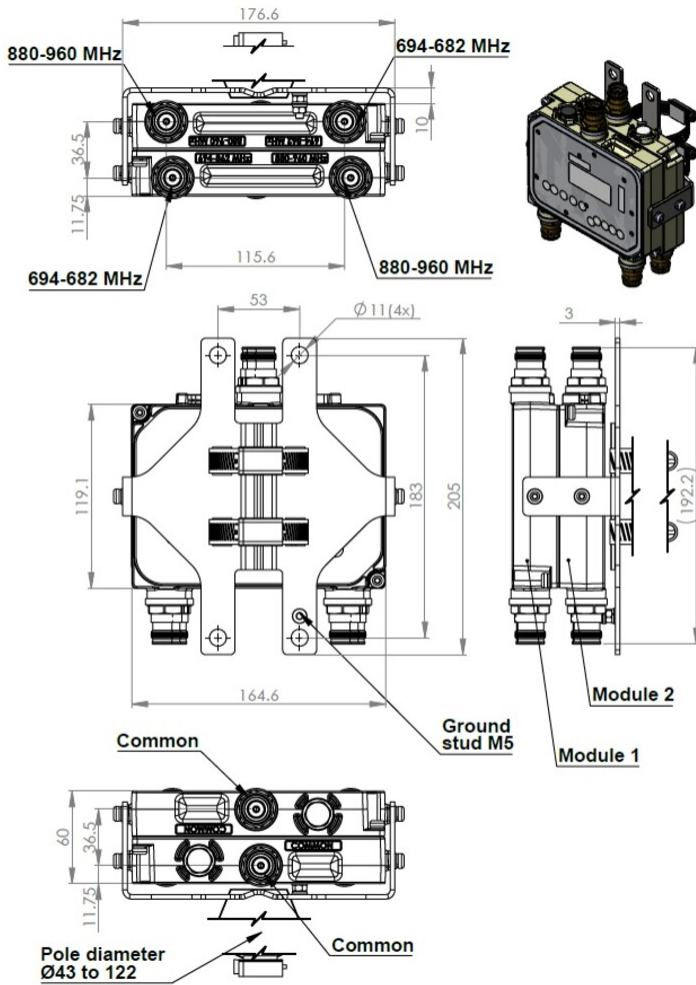
**Width** 165 mm | 6.496 in

**Depth** 120 mm | 4.724 in

**Mounting Pipe Diameter Range** 40–160 mm

## Outline Drawing

# E14F05P89



## Electrical Specifications

|                                |                                       |
|--------------------------------|---------------------------------------|
| <b>Impedance</b>               | 50 ohm                                |
| <b>License Band, Band Pass</b> | APT 700   CEL 900   EDD 800   LMR 800 |

## Electrical Specifications, dc Power/Alarm

|  |                               |
|--|-------------------------------|
| <b>dc/AISG Pass-through Method</b>         | No dc/AISG pass-through       |
| <b>dc/AISG Pass-through, combiner</b>      | dc/AISG blocking on all ports |
| <b>dc/AISG Pass-through, demultiplexer</b> | dc/AISG blocking on all ports |
| <b>Lightning Surge Current</b>             | 5 kA                          |
| <b>Lightning Surge Current Waveform</b>    | 8/20 waveform                 |

## Electrical Specifications

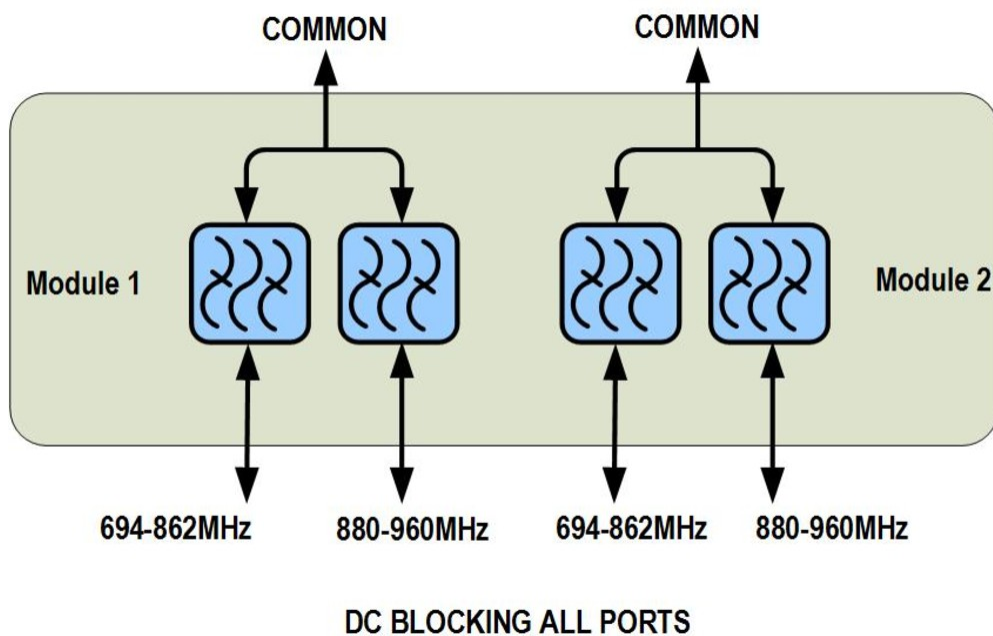
# E14F05P89

|                         |  |                    |
|-------------------------|--|--------------------|
| <b>Sub-module</b>       | <b>1   2</b>   | <b>1   2</b>       |
| <b>Branch</b>           | 1  | 2                  |
| <b>Port Designation</b> | PORT 1 694-862   | PORT 2 880-960     |
| <b>License Band</b>     | APT 700, Band Pass<br>EDD 800, Band Pass<br>LMR 800, Band Pass | CEL 900, Band Pass |

## Electrical Specifications, Band Pass

|                                     |                      |                      |
|-------------------------------------|----------------------|----------------------|
| <b>Frequency Range, MHz</b>         | <b>694–862</b>       | <b>880–960</b>       |
| <b>Insertion Loss, typical, dB</b>  | 0.2                  | 0.2                  |
| <b>Return Loss, typical, dB</b>     | 22                   | 22                   |
| <b>Isolation, typical, dB</b>       | 40                   | 40                   |
| <b>Input Power, PEP, maximum, W</b> | 1200                 | 1200                 |
| <b>3rd Order PIM, typical, dBc</b>  | -161                 | -161                 |
| <b>3rd Order PIM Test Method</b>    | Two +43 dBm carriers | Two +43 dBm carriers |

## Block Diagram



## Environmental Specifications

|                                       |                                      |
|---------------------------------------|--------------------------------------|
| <b>Operating Temperature</b>          | -40 °C to +65 °C (-40 °F to +149 °F) |
| <b>Corrosion Test Method</b>          | IEC 60068-2-11, 30 days              |
| <b>Ingress Protection Test Method</b> | IEC 60529:2001, IP67                 |

# E14F05P89

---

## Packaging and Weights

|  |                   |
|--|-------------------|
| <b>Included</b>                          | Mounting hardware |
| <b>Volume</b>                            | 1.2 L             |
| <b>Weight, without mounting hardware</b> | 2 kg   4.409 lb   |

## Regulatory Compliance/Certifications

| <b>Agency</b> | <b>Classification</b>  |
|---------------|--|
| ISO 9001:2015 | Designed, manufactured and/or distributed under this quality management system |