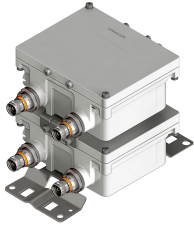


E14F05P81



Twin Diplexer 700/800 DC Bypass at 800MHz port, 4.3-10 connectors

- New 4.3-10 connectors for improved PIM performance and size reduction
- Industry leading PIM performance
- Designed for network modernization application, introduction of LTE700 and LTE800 on existing site
- dc/AISG pass-through on high frequency ports
- Twin configuration

Product Classification

Product Type Diplexer

General Specifications

Product Family CBC789

Color Gray

Common Port Label PORT 3 COMMON

Modularity 2-Twin

Mounting Pole | Wall

Mounting Pipe Hardware Band clamps (2)

RF Connector Interface 4.3-10 Female

RF Connector Interface Body Style Long neck

Dimensions

Height 165 mm | 6.496 in

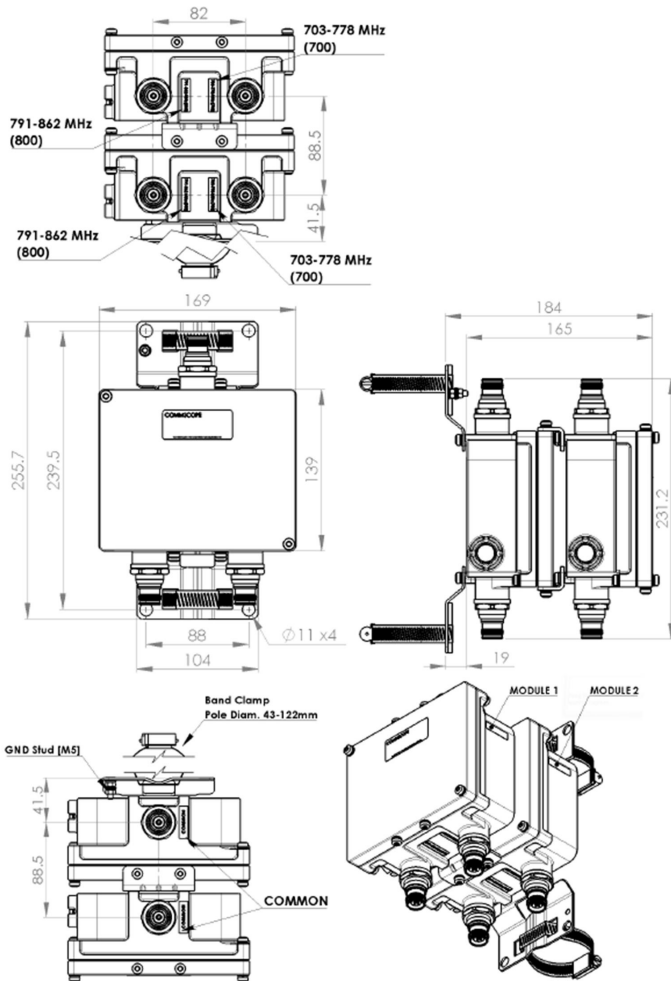
Width 1690 mm | 66.535 in

Depth 139 mm | 5.472 in

Mounting Pipe Diameter Range 40–160 mm

E14F05P81

Outline Drawing



Electrical Specifications

Impedance	50 ohm
License Band, Band Pass	APT 700 CEL 900 EDD 800 LMR 800 USA 700

Electrical Specifications, dc Power/Alarm

dc/AISG Pass-through Method	Factory set
dc/AISG Pass-through Path	Branch 2
dc/AISG Pass-through, combiner	Branch 2
dc/AISG Pass-through, demultiplexer	Branch 2
Lightning Surge Current	10 kA

E14F05P81

Lightning Surge Current Waveform

8/20 waveform

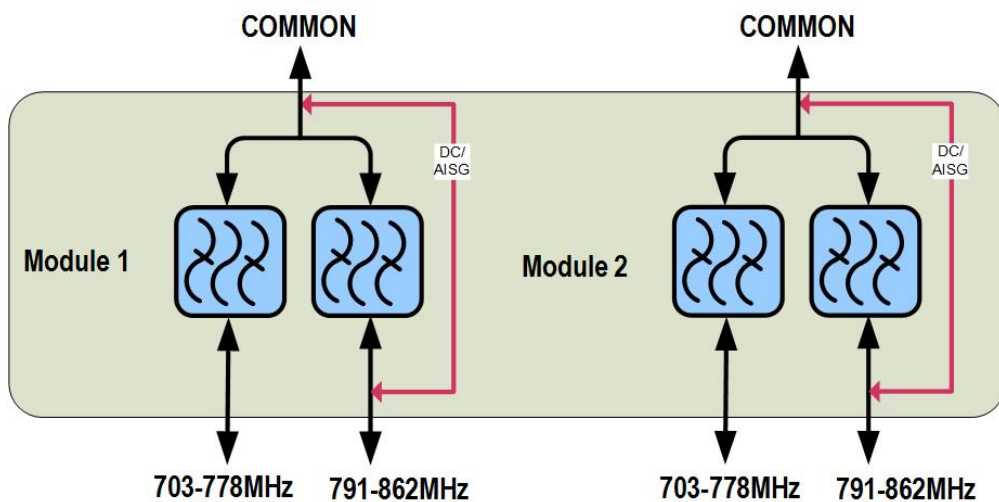
Electrical Specifications

Sub-module	1 2	1 2
Branch	1	2
Port Designation	PORT 1 703-778	PORT 2 790-862
License Band	APT 700, Band Pass USA 700, Band Pass	EDD 800, Band Pass LMR 800, Band Pass

Electrical Specifications, Band Pass

Frequency Range, MHz	703-778	790-862
Insertion Loss, typical, dB	0.3	0.3
Return Loss, typical, dB	20	20
Isolation, minimum, dB	35	35
Input Power, RMS, maximum, W	200	200
Input Power, PEP, maximum, W	2000	2000
3rd Order PIM, typical, dBc	-163	-163
3rd Order PIM Test Method	Two +43 dBm carriers	Two +43 dBm carriers

Block Diagram



Environmental Specifications

Operating Temperature	-40 °C to +65 °C (-40 °F to +149 °F)
Corrosion Test Method	IEC 60068-2-11, 30 days

E14F05P81

Ingress Protection Test Method IEC 60529:2001, IP67

Packaging and Weights

Included Mounting hardware

Volume 3.9 L

Weight, net 5 kg | 11.023 lb

Weight, without mounting hardware 4.5 kg | 9.921 lb

Regulatory Compliance/Certifications

Agency

ISO 9001:2015

Classification

Designed, manufactured and/or distributed under this quality management system

