

E14F05P22



Twin Diplexer, DCS 1800/UMTS 2100, AISG compatible, (DC Smart Bypass), with 4.3-10 connectors.

- Industry leading PIM performance
- Minimal Insertion Loss
- New 4.3-10 connectors for improved PIM performance and size reduction

Product Classification

Product Type Diplexer

General Specifications

Color Gray

Common Port Label PORT 3 COMMON

Modularity 2-Twin

Mounting Pole | Wall

Mounting Pipe Hardware Band clamps (2)

RF Connector Interface 4.3-10 Female

RF Connector Interface Body Style Long neck

Dimensions

Height 149 mm | 5.866 in

Width 145 mm | 5.709 in

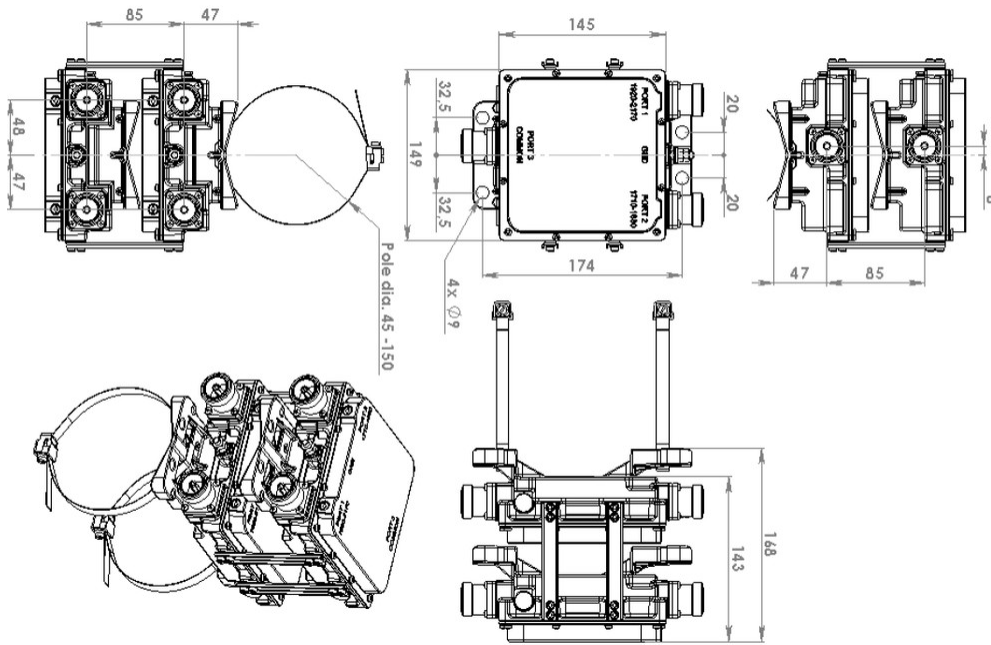
Depth 143 mm | 5.63 in

RF Connector Length 25 mm | 0.984 in

Mounting Pipe Diameter Range 40–160 mm

Outline Drawing

E14F05P22



Electrical Specifications

Impedance	50 ohm
License Band, Band Pass	DCS 1800 IMT 2100

Electrical Specifications, dc Power/Alarm

dc/AISG Pass-through Method	Auto sensing
dc/AISG Pass-through, combiner	Autosensing
dc/AISG Pass-through, demultiplexer	Autosensing
Lightning Surge Current	3 kA
Lightning Surge Current Waveform	10/350 waveform

Electrical Specifications

Sub-module	1 2	1 2
Branch	1	2
Port Designation	PORT 2 1710-1880	PORT 1 1920-2170
License Band	DCS 1800, Band Pass	IMT 2100, Band Pass

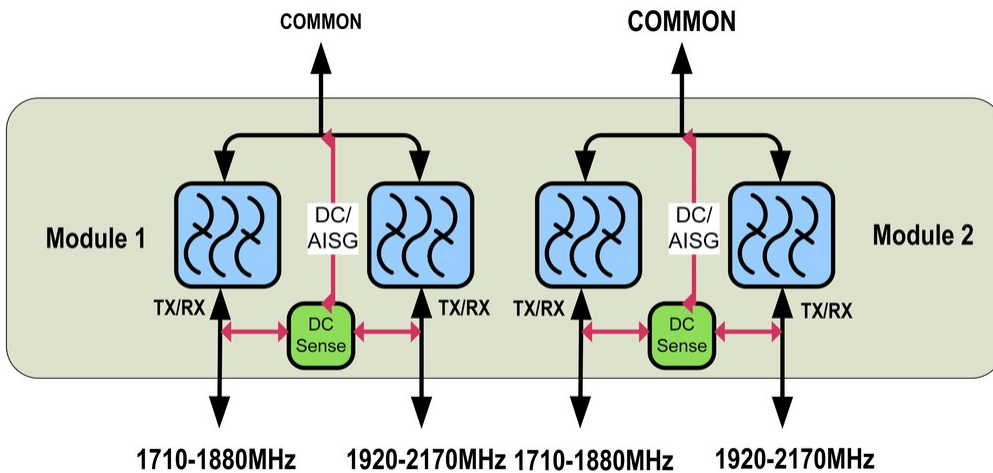
Electrical Specifications, Band Pass

Frequency Range, MHz	1710-1880	1920-2170
-----------------------------	------------------	------------------

E14F05P22

Insertion Loss, typical, dB	0.25	0.35
Return Loss, typical, dB	20	20
Isolation, minimum, dB	50	50
Input Power, RMS, maximum, W	250	250
Input Power, PEP, maximum, W	2500	2500
3rd Order PIM, typical, dBc	-161	
3rd Order PIM Test Method	2 x 20 W CW tones	
7th Order PIM, typical, dBc		-168
7th Order PIM Test Method		2 x 20 W CW tones

Block Diagram



Environmental Specifications

Operating Temperature	-40 °C to +60 °C (-40 °F to +140 °F)
Corrosion Test Method	IEC 60068-2-11, 30 days
Ingress Protection Test Method	IEC 60529:2001, IP67

Packaging and Weights

Included	Mounting hardware
Volume	2.5 L
Weight, net	3.9 kg 8.598 lb

Regulatory Compliance/Certifications

Agency	Classification
--------	----------------

E14F05P22

ISO 9001:2015

Designed, manufactured and/or distributed under this quality management system

