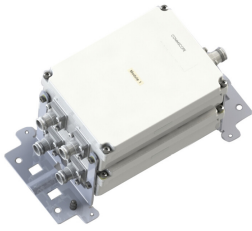


E14F05P03



Twin Diplexer, 700-800/900 DC Bypass at 800MHz port, 4.3-10 connectors

- New 4.3-10 connectors for improved PIM performance and size reduction
- Industry leading PIM performance
- Twin configuration
- Designed for network modernization application, introduction of LTE700 and LTE800 on existing site
- dc/AISG pass-through on low frequency ports

OBSOLETE

This product was discontinued on: December 31, 2023

Replaced By:

E14F06P20

Twin Diplexer, 700-800/900 DC Bypass All ports, 4.3-10 connectors

Product Classification

Product Type Diplexer

General Specifications

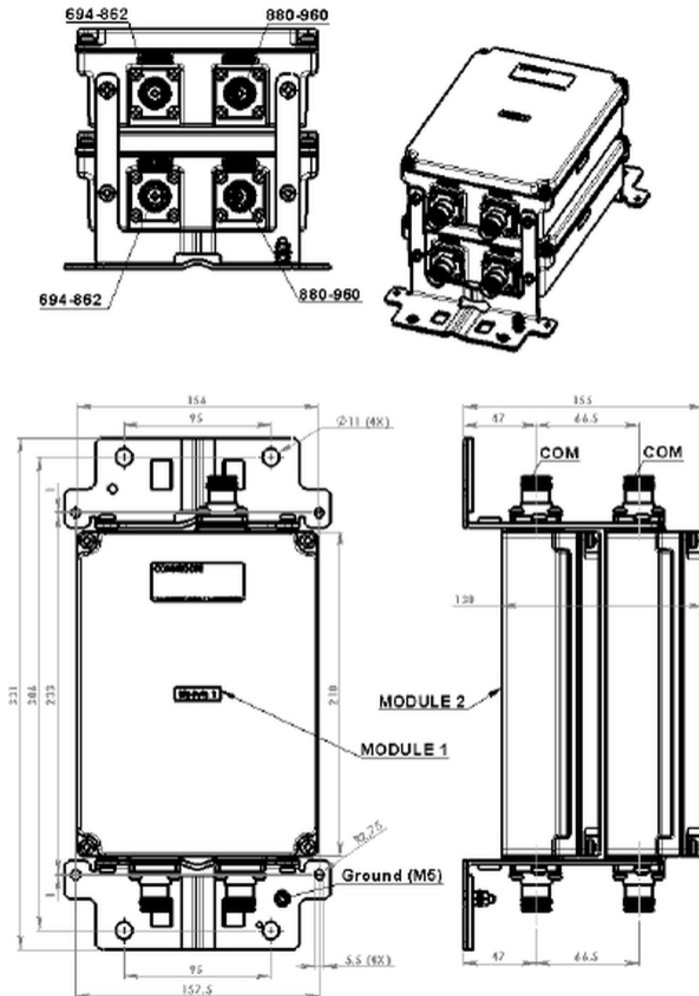
Product Family CBC789
Color Gray
Common Port Label PORT 3 COMMON
Modularity 2-Twin
Mounting Pole | Wall
Mounting Pipe Hardware Band clamps (2)
RF Connector Interface 4.3-10 Female
RF Connector Interface Body Style Long neck

Dimensions

Height 130 mm | 5.118 in
Width 210 mm | 8.268 in
Depth 156 mm | 6.142 in
Mounting Pipe Diameter Range 40–160 mm

E14F05P03

Outline Drawing



Electrical Specifications

| | |
|--------------------------------|---------------------------------------|
| Impedance | 50 ohm |
| License Band, Band Pass | APT 700 CEL 900 EDD 800 LMR 800 |

Electrical Specifications, dc Power/Alarm

| | |
|---|---------------------|
| dc/AISG Pass-through Method | Factory set |
| dc/AISG Pass-through Path | Branch 1 Branch 2 |
| dc/AISG Pass-through, combiner | Branch 1 Branch 2 |
| Lightning Surge Current | 5 kA |
| Lightning Surge Current Waveform | 8/20 waveform |

E14F05P03

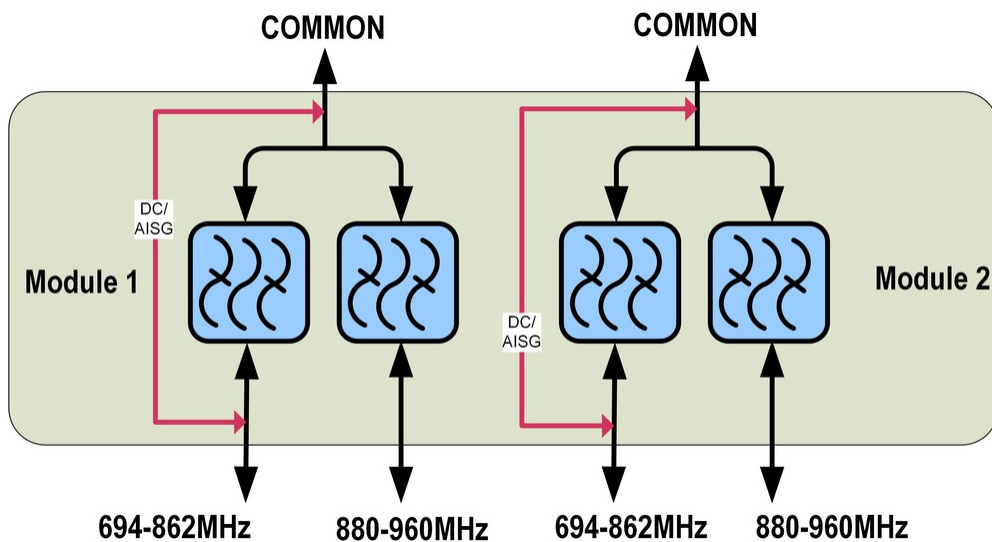
Electrical Specifications

| | | |
|-------------------------|--|--------------------|
| Sub-module | 1 2 | 1 2 |
| Branch | 1 | 2 |
| Port Designation | PORT 1 694-862 | PORT 2 880-960 |
| License Band | APT 700, Band Pass EDD 800, Band Pass LMR 800, Band Pass | CEL 900, Band Pass |

Electrical Specifications, Band Pass

| | | |
|-------------------------------------|----------------------|----------------------|
| Frequency Range, MHz | 694–862 | 880–960 |
| Insertion Loss, typical, dB | 0.2 | 0.2 |
| Return Loss, typical, dB | 22 | 22 |
| Isolation, minimum, dB | 50 | 50 |
| Input Power, RMS, maximum, W | 300 | 300 |
| Input Power, PEP, maximum, W | 3000 | 3000 |
| 3rd Order PIM, typical, dBc | -160 | -160 |
| 3rd Order PIM Test Method | Two +43 dBm carriers | Two +43 dBm carriers |

Block Diagram



Environmental Specifications

| | |
|------------------------------|--------------------------------------|
| Operating Temperature | -40 °C to +65 °C (-40 °F to +149 °F) |
|------------------------------|--------------------------------------|

E14F05P03

Corrosion Test Method IEC 60068-2-11, 30 days

Ingress Protection Test Method IEC 60529:2001, IP67

Packaging and Weights

Included Mounting hardware

Volume 4.2 L

Weight, net 5.7 kg | 12.566 lb

Regulatory Compliance/Certifications

Agency

ISO 9001:2015



Classification

Designed, manufactured and/or distributed under this quality management system