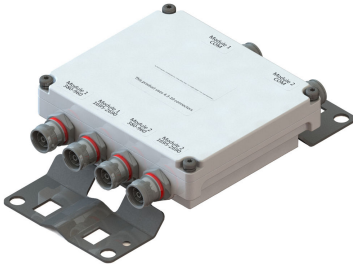


CBC626T-DL-4310 | E14F55P08



Ultra Compact Twin Diplexer 380-960/1695-2690MHz, DC Low, 4.3-10 connectors

- Ideal for small cell applications
- Compact form factor with reduced size and weight
- Suitable for space limited applications like Metro Cell, Lamp Pole and Concealment Solution
- Industry leading PIM performance
- New 4.3-10 connectors for improved PIM performance and size reduction
- dc/AISG pass-through on low frequency ports
- Twin configuration

Product Classification

Product Type Diplexer

General Specifications

Color Gray

Common Port Label Common

Modularity 2-Twin

RF Connector Interface 4.3-10 Female

RF Connector Interface Body Style Long neck

Dimensions

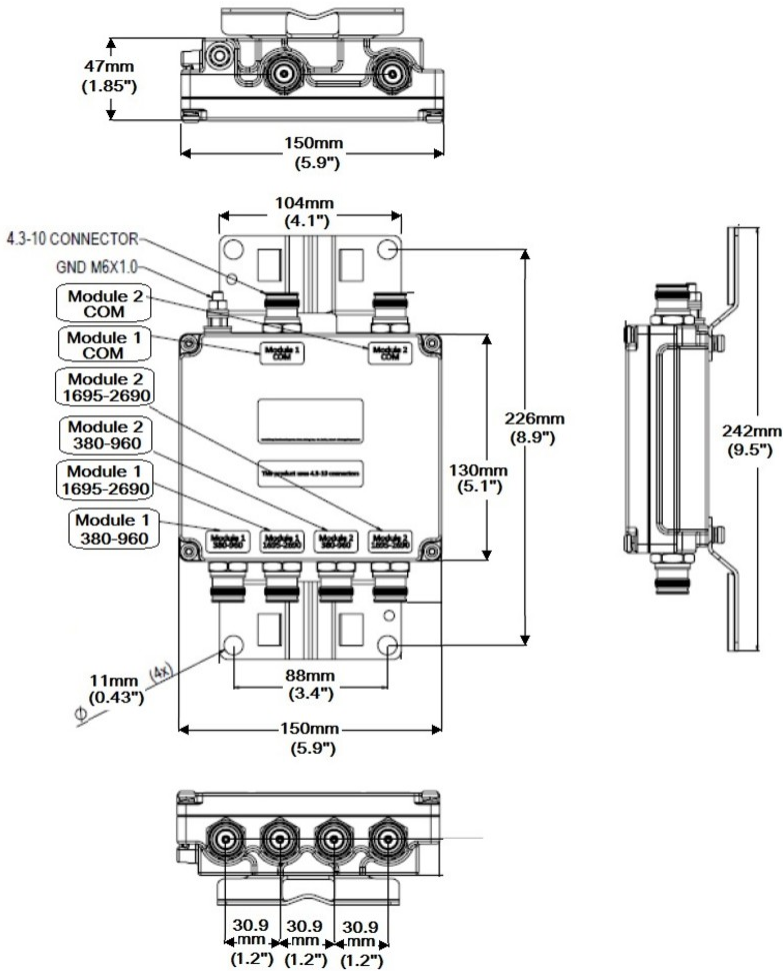
Height 150 mm | 5.906 in

Width 130 mm | 5.118 in

Depth 47 mm | 1.85 in

CBC626T-DL-4310 | E14F55P08

Outline Drawing



Electrical Specifications

Impedance

50 ohm

License Band, Band Pass

APT 700 | AWS 1700 | CEL 850 | CEL 900 | DCS 1800 | EDD 800 | IMT 2100 | IMT 2600 | LMR 750 | LMR 800 | LMR 900 | PCS 1900 | TDD 1900 | TDD 2300 | USA 700 | USA 750 | WCS 2300

Electrical Specifications, dc Power/Alarm

dc/AISG Pass-through Method

Factory set

dc/AISG Pass-through Path

Branch 1

dc/AISG Pass-through, combiner

Branch 1

dc/AISG Pass-through, demultiplexer

Branch 1

CBC626T-DL-4310 | E14F55P08

Lightning Surge Current	5 kA
Lightning Surge Current Waveform	8/20 waveform

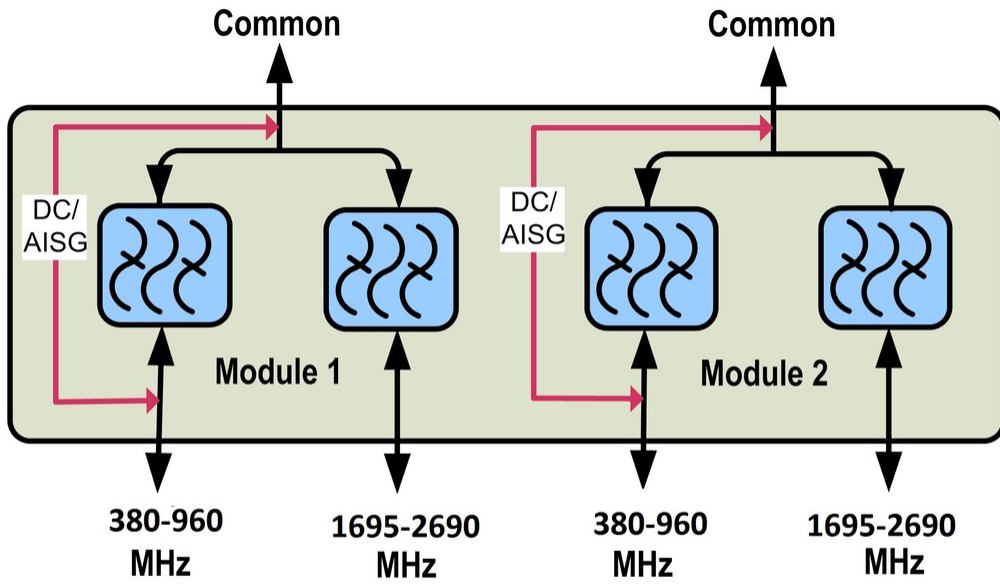
Electrical Specifications

Sub-module	1 2	1 2
Branch	1	2
Port Designation	Port 380-960	Port 1695-2690
License Band	APT 700, Band Pass CEL 850, Band Pass CEL 900, Band Pass LMR 750, Band Pass LMR 900, Band Pass USA 700, Band Pass USA 750, Band Pass USA 600, Band Pass	AWS 1700, Band Pass DCS 1800, Band Pass IMT 2100, Band Pass IMT 2600, Band Pass PCS 1900, Band Pass TDD 2300, Band Pass WCS 2300, Band Pass

Electrical Specifications, Band Pass

	380–960	1695–2690
Frequency Range, MHz		
Insertion Loss, typical, dB	0.25	0.25
Total Group Delay, maximum, ns	5	5
Return Loss, typical, dB	23	23
Isolation, typical, dB	50	50
Input Power, RMS, maximum, W	100	100
Input Power, PEP, maximum, W	1500	1500
3rd Order PIM, typical, dBc	-161	-161
3rd Order PIM Test Method	2 x 20 W CW tones	2 x 20 W CW tones

Block Diagram



DC/AISG pass-through on low frequency ports
 DC/AISG blocking on high frequency ports

Material Specifications

Finish Painted

Environmental Specifications

Operating Temperature -40 °C to +65 °C (-40 °F to +149 °F)
Relative Humidity Up to 100%
Corrosion Test Method IEC 60068-2-11, 30 days
Ingress Protection Test Method IEC 60529:2001, IP67

Packaging and Weights

Mounting Hardware Weight 0.3 kg | 0.661 lb
Weight, without mounting hardware 1.7 kg | 3.748 lb

Regulatory Compliance/Certifications

Agency	Classification
CHINA-ROHS	Below maximum concentration value
REACH-SVHC	Compliant as per SVHC revision on www.andrew.com/ProductCompliance
ROHS	Compliant

CBC626T-DL-4310 | E14F55P08

UK-ROHS

Compliant

