

# CHB726-01

---



## Hybrid Combiner

### **OBSOLETE**

This product was discontinued on: December 31, 2021

#### Replaced By:

CHB626-43  
D15T01P37

Hybrid Combiner

## Product Classification

<b>Product Type</b>	Hybrid combiner
<b>Product Brand</b>	UltraBand™

## General Specifications

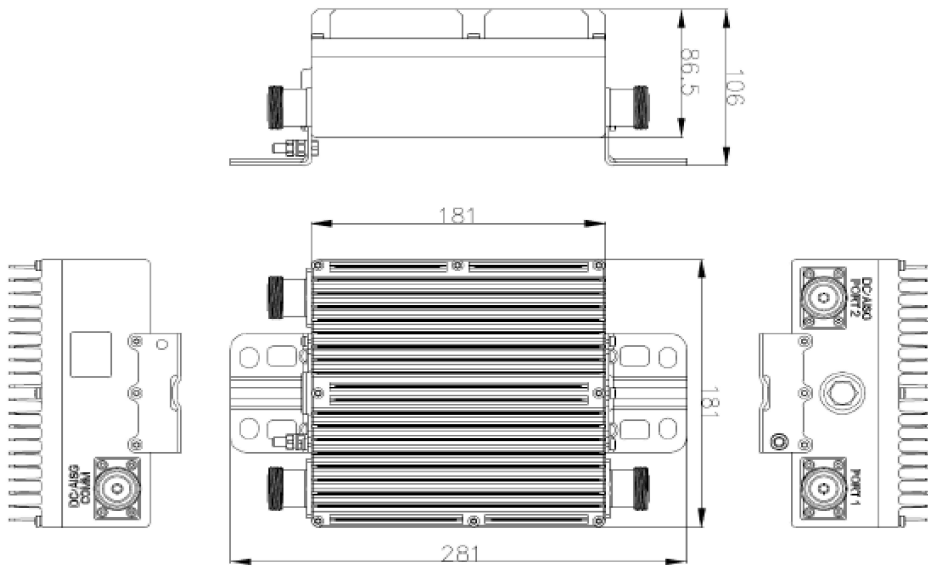
<b>AISG Carrier</b>	2176 KHz ± 100 ppm
<b>Color</b>	Gray
<b>Connector Interface</b>	7-16 DIN Female
<b>Modularity</b>	Single
<b>Mounting</b>	Pole   Wall
<b>Mounting Pipe Hardware</b>	Band clamps

## Dimensions

<b>Height</b>	181 mm   7.126 in
<b>Width</b>	181 mm   7.126 in
<b>Depth</b>	86.5 mm   3.406 in
<b>Ground Screw Diameter</b>	6 mm   0.236 in

## Outline Drawing

# CHB726-01



## Electrical Specifications

<b>3rd Order IMD Test Method</b>	Two +43 dBm carriers
<b>3rd Order IMD, typical</b>	-160 dBc
<b>dc Pass-through</b>	Branch 2
<b>Lightning Surge Current</b>	10 kA
<b>Lightning Surge Current Waveform</b>	8/20 waveform

## Electrical Specifications, AISG

<b>dc Current, maximum</b>	2.5 A
<b>Insertion Loss, maximum</b>	0.5 dB
<b>Return Loss, minimum</b>	16 dB

## Electrical Specifications, Branch 1

<b>Coupling</b>	3.1 dB
<b>Coupling Tolerance</b>	$\pm 0.5$ dB
<b>Input Power, PEP</b>	3000 W
<b>Input Power, RMS</b>	150 W
<b>Isolation, typical</b>	30 dB
<b>Operating Frequency Band</b>	698 – 2700 MHz
<b>Port Designation</b>	Port 1

# CHB726-01

**Insertion Loss Ripple, maximum** ±0.4 dB

**Return Loss, minimum** 20 dB

## Electrical Specifications, Branch 2

**Coupling** 3.1 dB

**Coupling Tolerance** ±0.5 dB

**Input Power, PEP** 3000 W

**Input Power, RMS** 150 W

**Isolation, typical** 30 dB

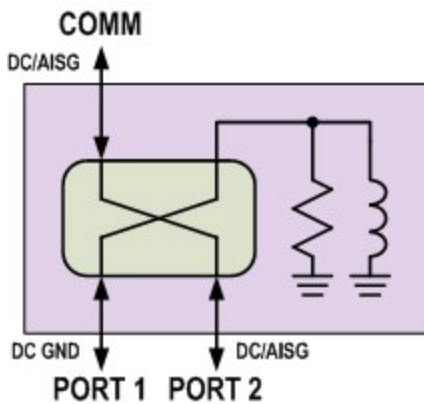
**Operating Frequency Band** 698 – 2700 MHz

**Port Designation** Port 2

**Insertion Loss Ripple, maximum** ±0.4 dB

**Return Loss, minimum** 20 dB

## Block Diagram



## Environmental Specifications

**Operating Temperature** -40 °C to +65 °C (-40 °F to +149 °F)

**Ingress Protection Test Method** IEC 60529:2001, IP67

## Packaging and Weights

**Included** Mounting hardware

**Weight, net** 4.5 kg | 9.921 lb

## Regulatory Compliance/Certifications

# CHB726-01

---

**Agency**

CHINA-ROHS

ISO 9001:2015

REACH-SVHC

ROHS

UK-ROHS

**Classification**

Below maximum concentration value

Designed, manufactured and/or distributed under this quality management system

Compliant as per SVHC revision on [www.commscope.com/ProductCompliance](http://www.commscope.com/ProductCompliance)

Compliant

Compliant

