

# 400BPTF-C

---



TNC Female for CNT-400 braided cable

## Product Classification

|                      |                         |
|----------------------|-------------------------|
| <b>Product Type</b>  | Braided cable connector |
| <b>Product Brand</b> | CNT®   ConQuest®        |

## General Specifications

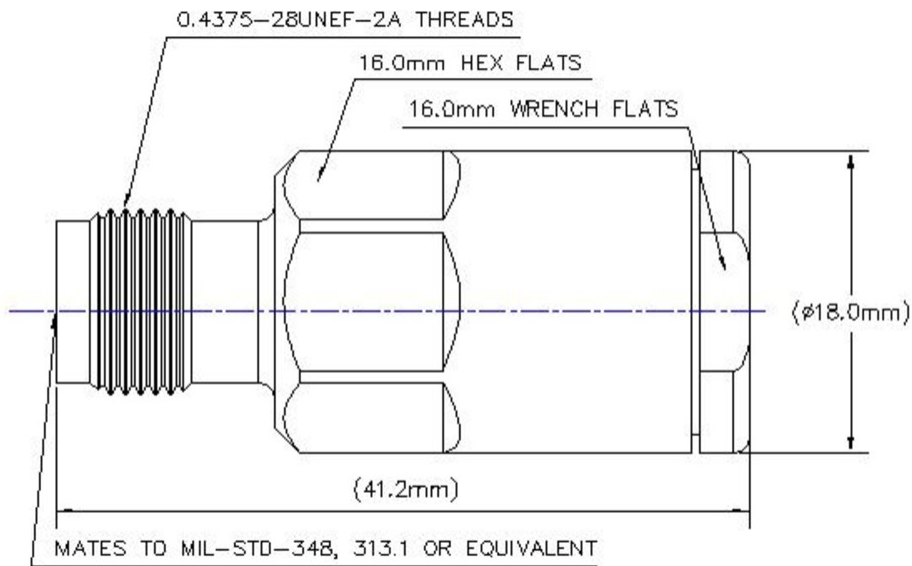
|  |            |
|--|------------|
| <b>Body Style</b>                      | Straight   |
| <b>Inner Contact Attachment Method</b> | Captivated |
| <b>Inner Contact Plating</b>           | Gold       |
| <b>Interface</b>                       | TNC Female |
| <b>Outer Contact Attachment Method</b> | Clamp      |
| <b>Outer Contact Plating</b>           | Trimetal   |

## Dimensions

|                     |                     |
|---------------------|---------------------|
| <b>Width</b>        | 18 mm   0.709 in    |
| <b>Length</b>       | 41.24 mm   1.624 in |
| <b>Diameter</b>     | 18 mm   0.709 in    |
| <b>Nominal Size</b> | 0.405 in            |

# 400BPTF-C

## Outline Drawing



## Electrical Specifications

|   |              |
|---|--------------|
| <b>Insertion Loss, typical</b>              | 0.05 dB      |
| <b>Cable Impedance</b>                      | 50 ohm       |
| <b>Connector Impedance</b>                  | 50 ohm       |
| <b>dc Test Voltage</b>                      | 1500 V       |
| <b>Inner Contact Resistance, maximum</b>    | 1.5 mOhm     |
| <b>Insulation Resistance, minimum</b>       | 5000 MOhm    |
| <b>Operating Frequency Band</b>             | 0 – 6000 MHz |
| <b>Outer Contact Resistance, maximum</b>    | 0.4 mOhm     |
| <b>Peak Power, maximum</b>                  | 5 kW         |
| <b>RF Operating Voltage, maximum (vrms)</b> | 500 V        |

## VSWR/Return Loss

| <b>Frequency Band</b> | <b>VSWR</b> | <b>Return Loss (dB)</b> |
|-----------------------|-------------|-------------------------|
| <b>0-3000 MHz</b>     | 1.074       | 28.95                   |
| <b>3000-6000 MHz</b>  | 1.29        | 18                      |

## Mechanical Specifications

# 400BPTF-C

---

|  |                        |
|--|------------------------|
| <b>Connector Retention Tensile Force</b> | 330 N   74.187 lbf     |
| <b>Connector Retention Torque</b>        | 0.56 N-m   4.956 in lb |
| <b>Interface Durability</b>              | 500 cycles             |
| <b>Interface Durability Method</b>       | IEC 61169-17:9.5       |
| <b>Mechanical Shock Test Method</b>      | IEC 60068-2-27         |

## Environmental Specifications

|   |                                       |
|---|---------------------------------------|
| <b>Operating Temperature</b>                      | -40 °C to +85 °C (-40 °F to +185 °F)  |
| <b>Storage Temperature</b>                        | -65 °C to +125 °C (-85 °F to +257 °F) |
| <b>Attenuation, Ambient Temperature</b>           | 20 °C   68 °F                         |
| <b>Average Power, Ambient Temperature</b>         | 40 °C   104 °F                        |
| <b>Average Power, Inner Conductor Temperature</b> | 100 °C   212 °F                       |
| <b>Climatic Sequence Test Method</b>              | IEC 60068-1                           |
| <b>Corrosion Test Method</b>                      | IEC 60068-2-11                        |
| <b>Damp Heat Steady State Test Method</b>         | IEC 60068-2-3                         |
| <b>Immersion Depth</b>                            | 1 m                                   |
| <b>Immersion Test Mating</b>                      | Mated                                 |
| <b>Immersion Test Method</b>                      | IEC 60529:2001, IP68                  |
| <b>Thermal Shock Test Method</b>                  | IEC 60068-2-14                        |
| <b>Vibration Test Method</b>                      | IEC 60068-2-6                         |

## Packaging and Weights

|                    |                    |
|--------------------|--------------------|
| <b>Weight, net</b> | 41.85 g   0.092 lb |
|--------------------|--------------------|

## Regulatory Compliance/Certifications

| <b>Agency</b> | <b>Classification</b>  |
|---------------|--|
| ISO 9001:2015 | Designed, manufactured and/or distributed under this quality management system |



## \* Footnotes

|                                |  |
|--------------------------------|--|
| <b>Insertion Loss, typical</b> | 0.05v̄freq (GHz) (not applicable for elliptical waveguide) |
| <b>Immersion Depth</b>         | Immersion at specified depth for 24 hours                  |