

4

3

2

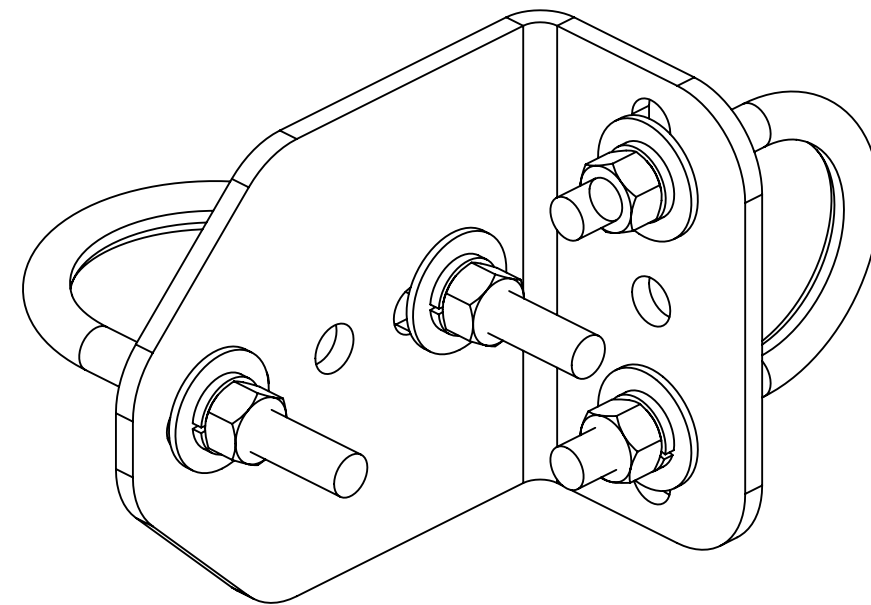
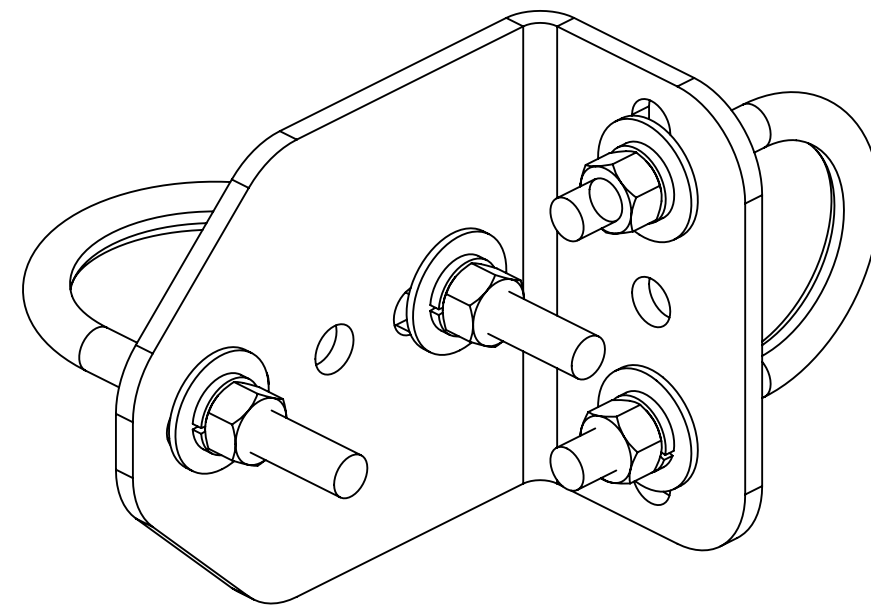
1

NOTES:

- 1.0 GENERAL
 - 1.1 ALL METRIC DIMENSIONS ARE IN BRACKETS
- 2.0 DESIGN NOTES
- 3.0 MANUFACTURING/SPECIAL REQUIRMENTS
- 4.0 TEST
- 5.0 PACKAGING

REVISIONS				
REV.	ECN	DESCRIPTION	BY	DATE
A	8000033626	INITIAL RELEASE	MRC	01/23/19

PART #	DESCRIPTION	PLATE(QTY2)	U-BOLT #1	QTY	U-BOLT#2	QTY
XA-1919	CROSSOVER ANGLE KIT 1.9 OD TO 1.9 OD	XAU01	MTC8108	4	N/A	N/A
XA-1920	CROSSOVER ANGLE KIT 1.9 TO 2.38 OD	XAU01	GUB-4240	2	MTC8108	2
XA-2020	CROSSOVER ANGLE KIT 2.38 OD TO 2.38 OD	XAU01	GUB-4240	4	N/A	N/A
XA-2030	CROSSOVER ANGLE KIT 2.38 OD TO 2.88 OD	XAU01	GUB-4352	2	GUB-4240	2
XA-2035	CROSSOVER ANGLE KIT 2.38 OD TO 3.5 OD	XAU01	GUB-4240	2	GUB-4355	2
XA-3030	CROSSOVER ANGLE KIT 2.88 OD TO 2.88 OD	XAU01	GUB-4352	4	N/A	N/A



COMMSCOPE, INC. OF NORTH CAROLINA														
TOLERANCES					SAP MATERIAL MASTER									
0 PLACE X ± 0.25		2 PLACE .XX ± 0.06			SEE TABLE									
1 PLACE .X ± 0.12		ANGLES ± 2°												
FINISH GALV A123					MATERIAL A1011/A1018 GR 36									
UNLESS OTHERWISE SPECIFIED DIMENSIONS ARE IN INCHES INTERPRET PER ANSI Y 14.5M-1994	CE	MRC	01/23/19	CROSSOVER ANGLE SERIES										
	RW	MC1107	01/25/2019											
	RV													
	AD	RD1048	01/25/2019											
	RE	RD1048	01/25/2019											
ECN 008000033626				SCALE	DOCUMENT NO.									
				1:2	XA									
DENSITY		lbs/in ³		SIZE		WORK AREA		24		MODEL		DRAWING		SHEET 1 OF 1
MASS		lbs		C				VERSION		STATUS		REVISION		
VOLUME		in ³						00		RE		A		
SURFACE AREA		in ²		HEIGHT		LENGTH		WIDTH						

4

3

2

1