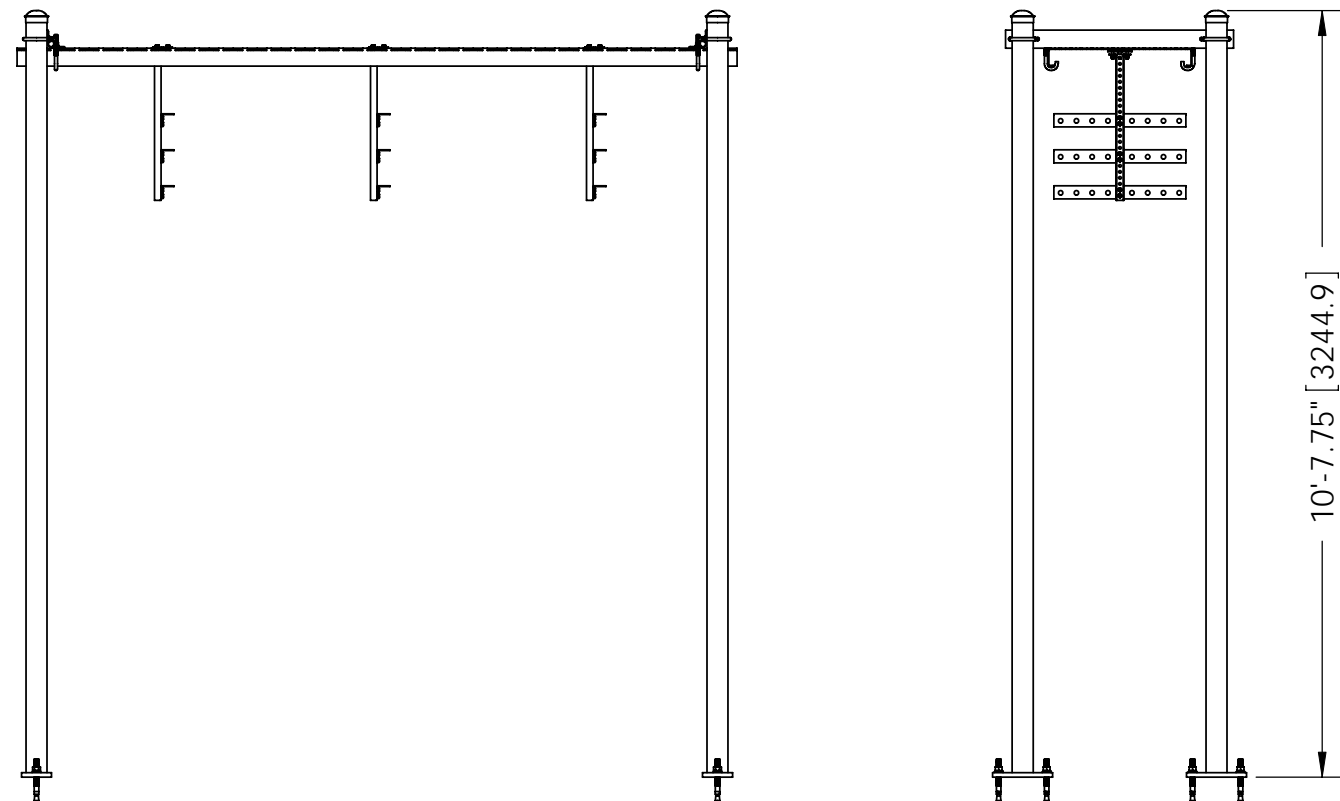
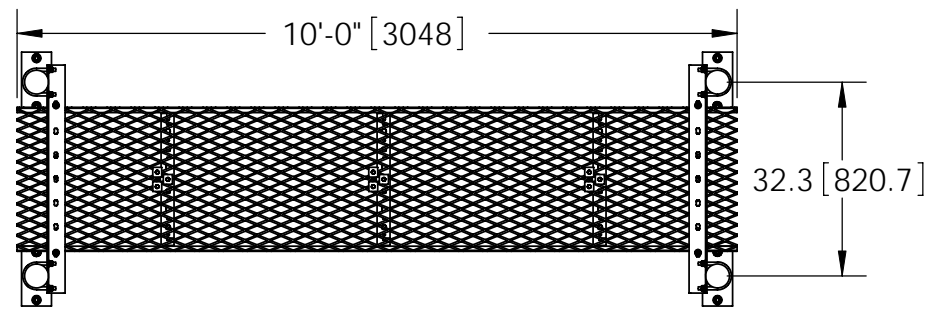
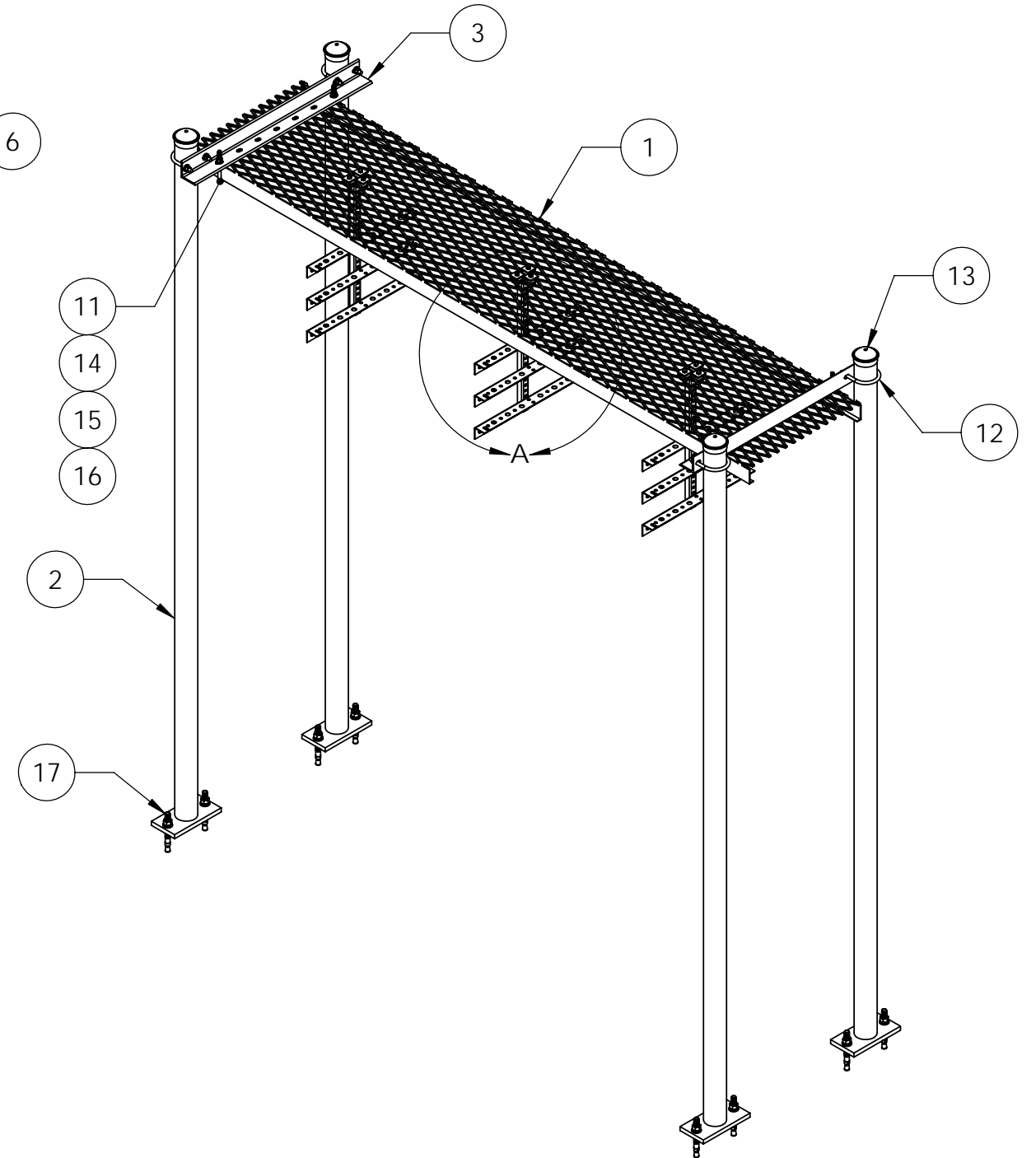
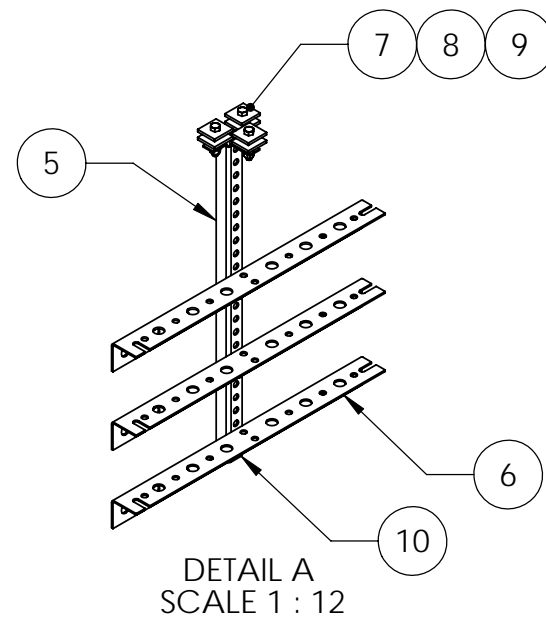


ITEM	PART NO.	DESCRIPTION	QTY.	WEIGHT
1	WB-CY210	SAFETY GRATING 24" X 10'	1	111.00 LBS
2	MF126.01	BASE SHOE	4	71.57 LBS
3	WBCS243.01	24" WAVEGUIDE BRIDGE SUPPORT BRACKET	2	14.87 LBS
4	WBK410SH	HARDWARE KIT (ITEMS 5 - 17)	1	
5	WBT243.01	VERTICAL TRAPEZE SECTION	3	2.53 LBS
6	WBT243.02	HORIZONTAL TRAPEZE SECTION	9	2.81 LBS
7	MT-387	SQUARE WASHER, 1-1/2" X 1-5/8" W/ 7/16" HOLE	18	0.12 LBS
8	GB-03205	3/8" X 2" GALV BOLT KIT	9	0.04 LBS
9	GWF-03	3/8" GALV FLAT WASHER	9	0.01 LBS
10	GB-03105	3/8" X 1" GALV BOLT KIT	18	0.04 LBS
11	WBJB6	1/2" J-BOLT	4	0.41 LBS
12	GUB-4355	1/2" X 3-5/8" X 5" GALV U-BOLT KIT	4	0.72 LBS
13	PC-034	PIPE CAP 3-1/2"	4	0.94 LBS
14	GWF-04	1/2" GALV FLAT WASHER	4	0.01 LBS
15	GWL-04	1/2" GALV LOCK WASHER	4	0.01 LBS
16	GN-04	1/2" GALV HEX NUT	4	0.04 LBS
17	MT-287	3/4" x 7" WEDGE ANCHOR	8	0.72 LBS

REVISIONS				
REV.	ZONE	DESCRIPTION	BY	DATE
A		INITIAL RELEASE	ACG	10/17/02
B		UPDATE PART LIST	ACG	04/04/03
C		UPDATE PART LIST FOR WBT243.01	ACG	05/14/04
D		UPDATE PART LIST FOR TRAPEZE	ACG	07/01/04
E		REDRAWN IN SOLIDWORKS	AW	06/10/05
F		UPDATE BOM FOR BASE SHOE COLUMN	ACG	10/17/08



These drawings and specifications are the proprietary property of ANDREW CORPORATION and may be used only for the specific purpose authorized in writing by Andrew Corporation.  ALL DIMENSIONS ARE IN INCHES U.O.S. TOLERANCES UNLESS OTHERWISE SPECIFIED: .X = ± .12      ANGLES      ±2° .XX = ± .06      FRACTIONS      ±1/32 .XXX = ± .030  REMOVE BURRS AND BREAK EDGES .005  DO NOT SCALE THIS PRINT	DRAWN BY: ACG	SHEET: 1 of 1	PART NUMBER: WB-K410-S
	CHECKED BY: TP	SCALE: NTS	DESCRIPTION: 24" WAVEGUIDE BRIDGE KIT
	DATE: 10/07/08	MATERIAL: A36, A53, A568	DRAWING TYPE: ASSEMBLY DRAWING
	REVISION: F	FINISH: GALV A123	WEIGHT: 481.17 LBS

NOTES:  
1. ALL METRIC DIMENSIONS ARE IN BRACKETS.