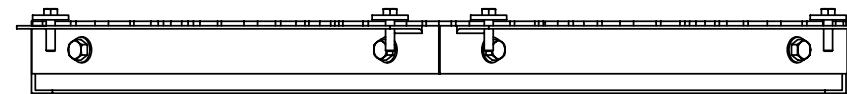
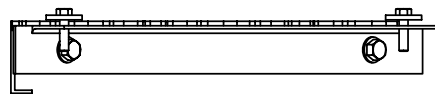
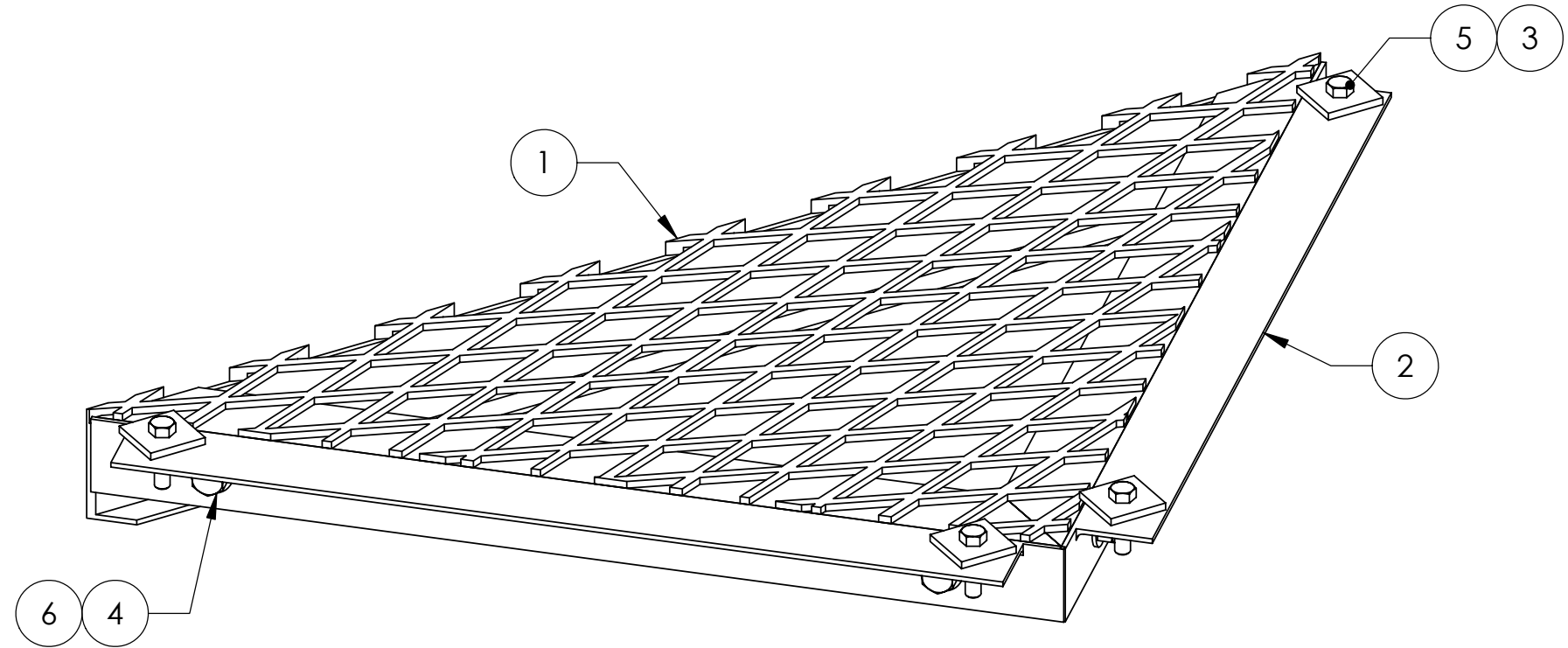
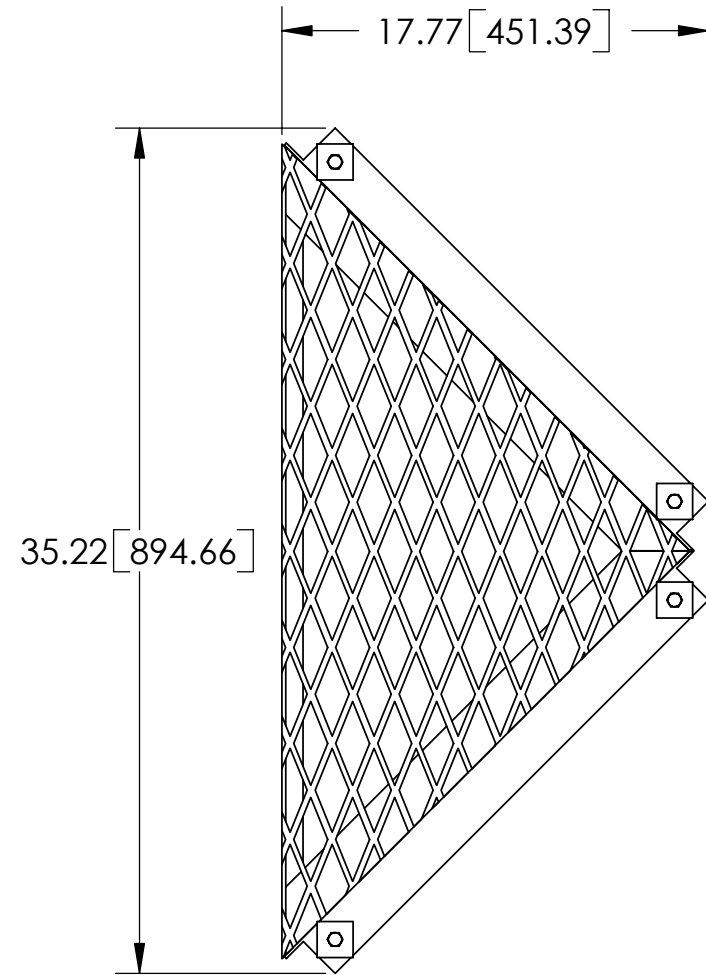


ITEM	PART NUMBER	DESCRIPTION	QTY.	WEIGHT
1	WBCF90.01	90 DEG. FILLER	1	18.68 LBS
2	MT-C6014.05	ANGLE END	2	3.11 LBS
3	MT-387	SQUARE WASHER, 1 1/2" X 1 1/2" W/ 7/16" HOLE	4	0.11 LBS
4	GB-04125	1/2" X 1-1/4" GALV BOLT KIT.	4	0.12 LBS
5	GB-03145	3/8" X 1-1/2" GALV BOLT KIT	4	0.07 LBS
6	GWF-04	1/2" GALV FLAT WASHER	4	0.02 LBS


REVISIONS				
REV.	ZONE	DESCRIPTION	BY	DATE
A		INITIAL RELEASE	ACG	02/19/03
B		REDRAWN IN SOLIDWORKS	AW	03/03/06



These drawings and specifications are the proprietary property of ANDREW CORPORATION and may be used only for the specific purpose authorized in writing by Andrew Corporation.

ALL DIMENSIONS ARE IN INCHES U.O.S.
TOLERANCES UNLESS OTHERWISE SPECIFIED:
.X = ± .06 ANGLES ± 2°
.XX = ± .03 FRACTIONS ± 1/32
.XXX = ± .010
REMOVE BURRS AND BREAK EDGES .005

DO NOT SCALE THIS PRINT

DRAWN BY ACG	SHEET 1 of 1	PART NUMBER WB-CF90
CHECKED BY TP	SCALE NTS	DESCRIPTION 90° FILLER KIT
DATE 02/19/03	MATERIAL A36	DRAWING TYPE ASSEMBLY DRAWING
REVISION B	FINISH GALV A123	 ORLAND PARK, IL. 60462 U.S.A.
	WEIGHT 26.18 LBS	