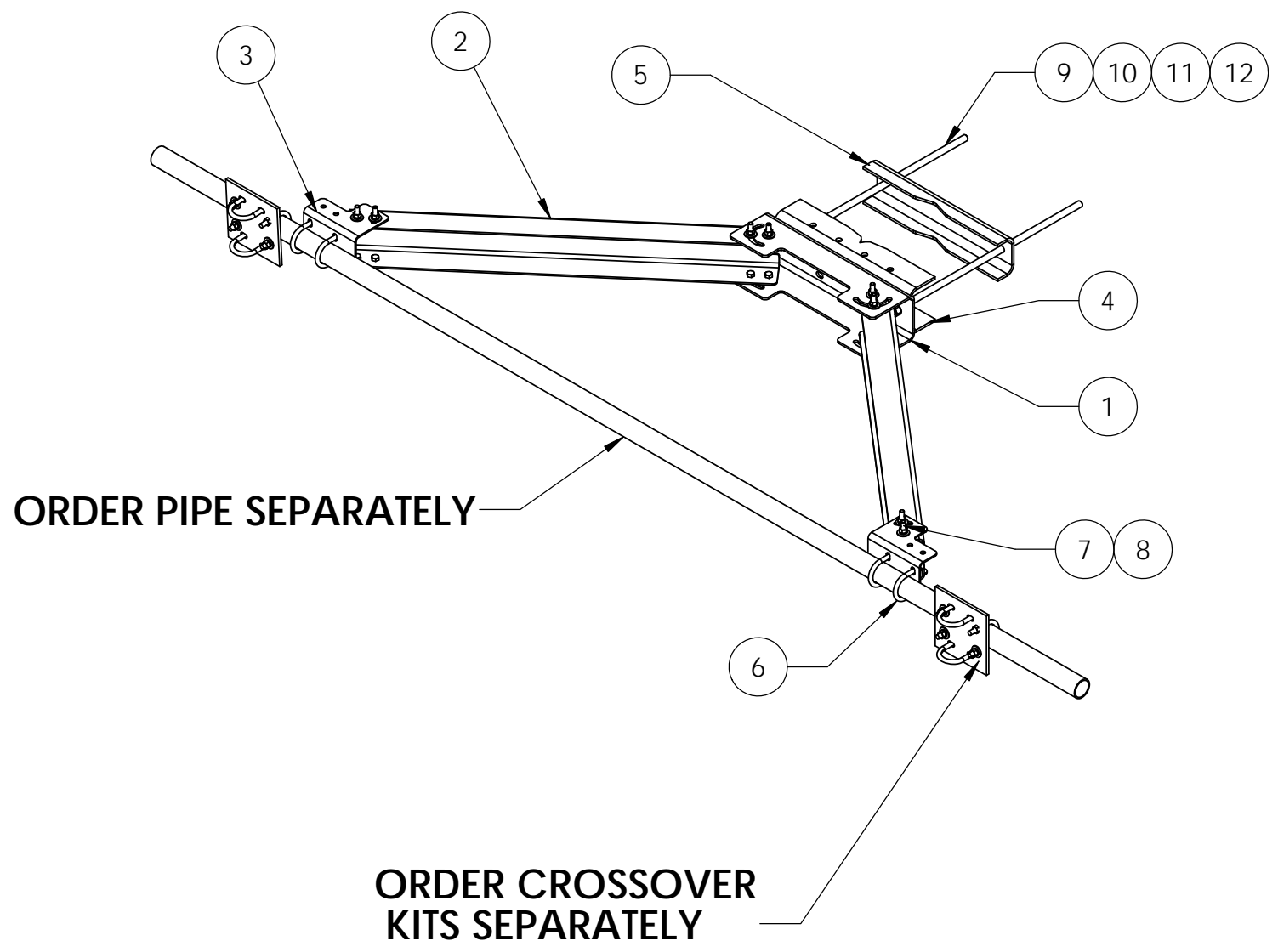
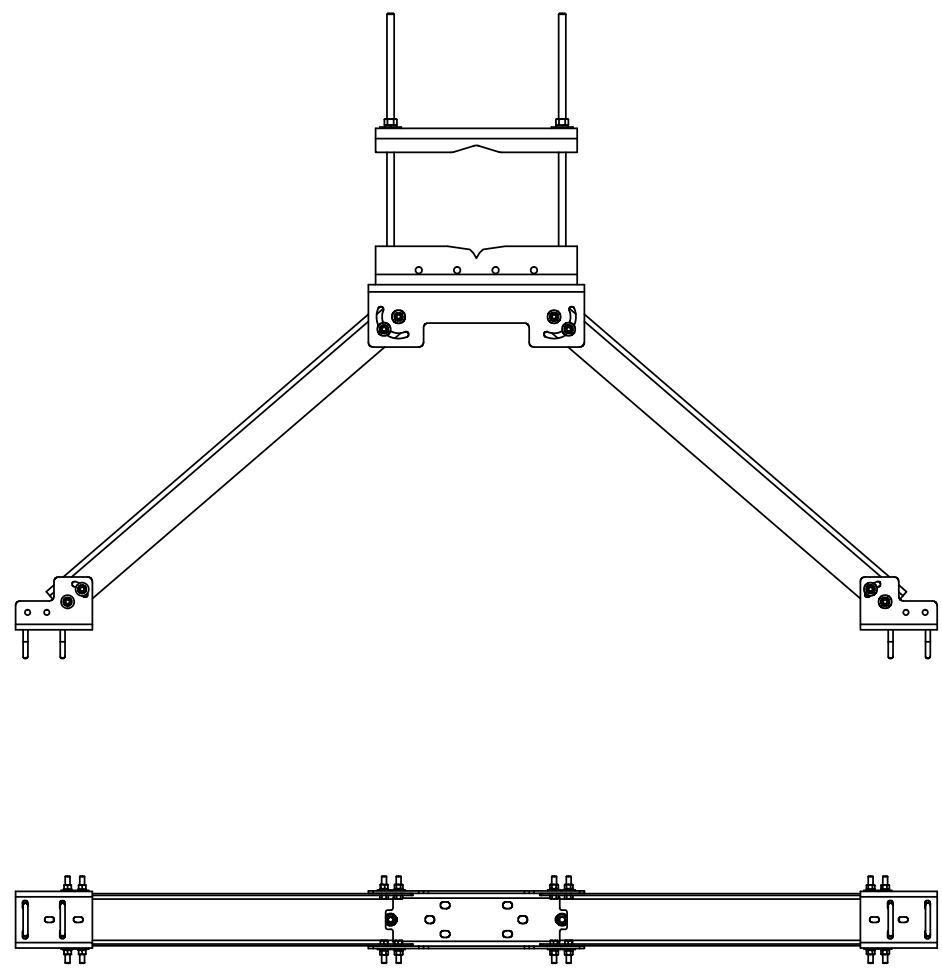


ITEM	PART NO.	DESCRIPTION	QTY.	WEIGHT
1	MTC340501	Mount Channel	1	23.34 LBS
2	MTC340502	Support Arm	2	29.88 LBS
3	MTC340503	Mount Channel	2	5.39 LBS
4	SMU201601	Large Saddle Mount, 16" Tower Leg	2	22.42 LBS
5	SMU201602	CLAMP PLATE	2	15.48 LBS
6	GUB-4240	1/2" X 2-1/2" X 4" GALV U-BOLT	4	0.56 LBS
7	GB-04205	1/2" X 2" GALV BOLT KIT	16	0.16 LBS
8	GWF-04	1/2" GALV FLAT WASHER	16	0.03 LBS
9	MT38430B7	3/4" X 30" GALV Threaded Rod, Grade B7	4	3.73 LBS
10	GWF-06	3/4" GALV FLAT WASHER	10	0.13 LBS
11	GWL-06	3/4" GALV LOCK WASHER	8	0.04 LBS
12	GN-06	3/4" GALV HEX NUT	10	0.12 LBS

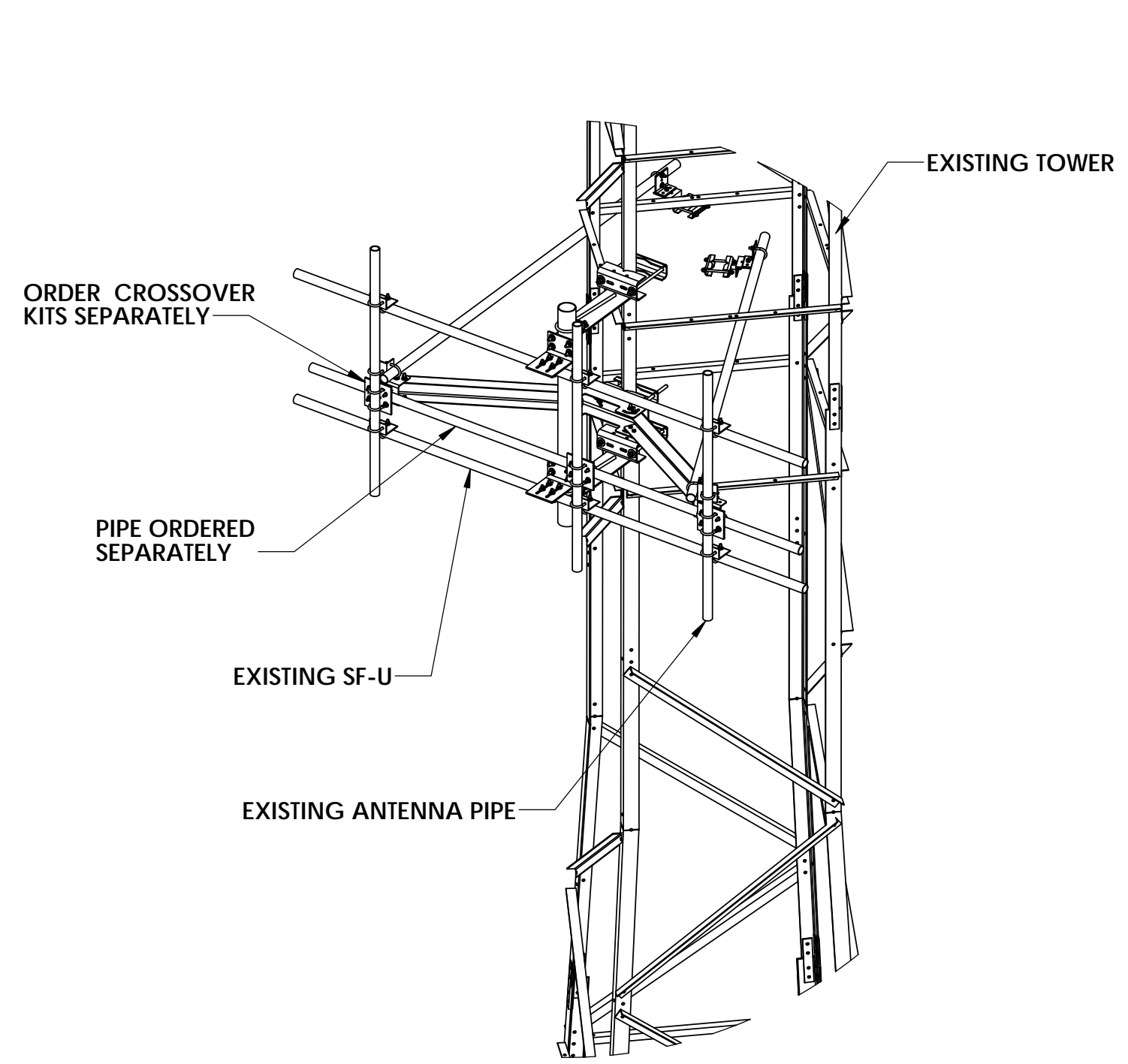
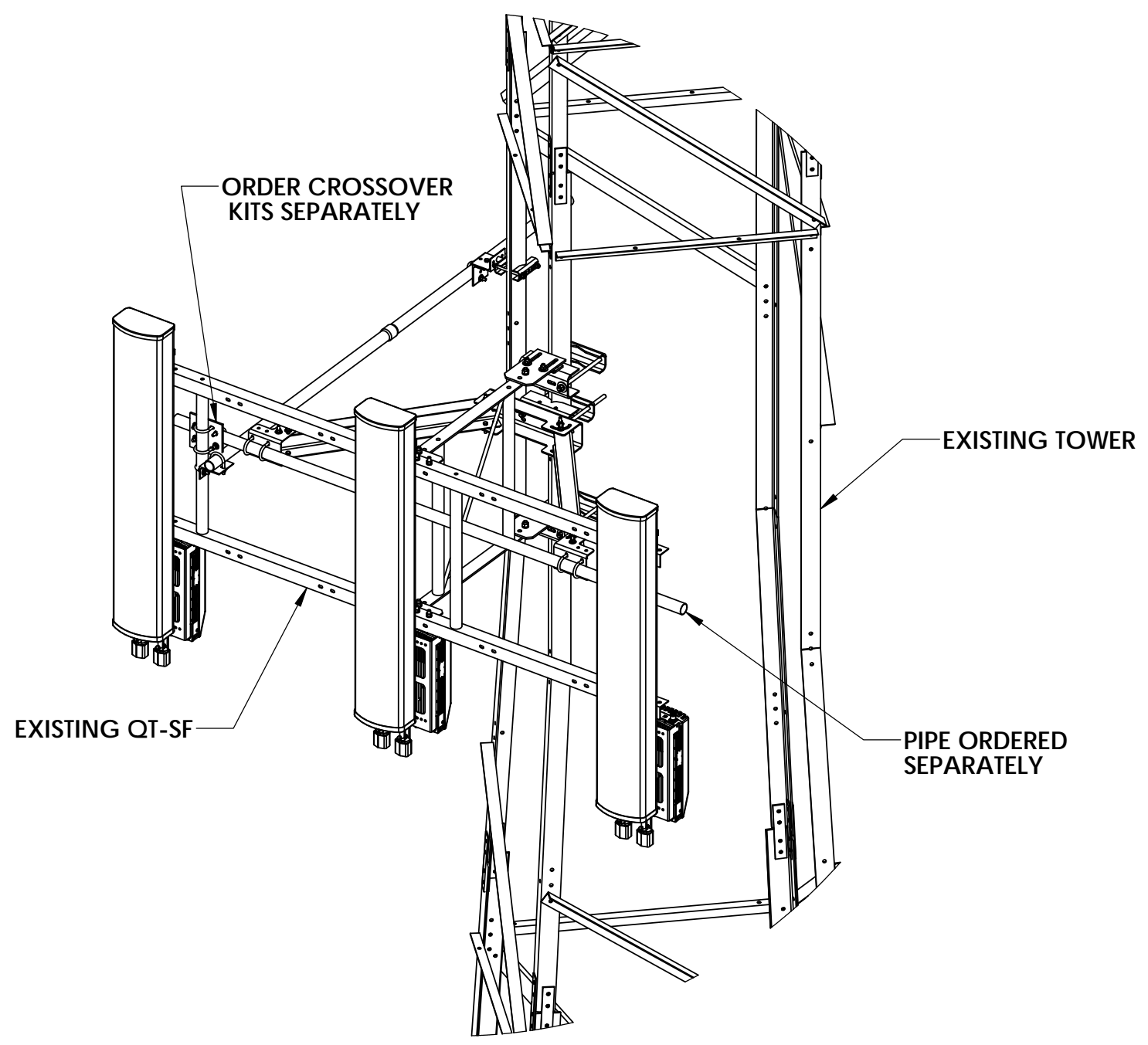
REVISIONS				
REV.	ZONE	DESCRIPTION	BY	DATE
A		INITIAL RELEASE	MSM	06/11/13



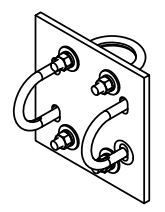
NOTES:  
 1. ALL METRIC DIMENSIONS ARE IN BRACKETS.  
 2. FITS TOWER LEGS ROUND OR 60° ANGLE UP TO 16", OR UP TO 12" 90° ANGLE.

These drawings and specifications are the proprietary property of CommScope Inc. and may be used only for the specific purpose authorized in writing by CommScope Inc.  ALL DIMENSIONS ARE IN INCHES U.O.S. TOLERANCES UNLESS OTHERWISE SPECIFIED: .X = ± .12      ANGLES      ±2° .XX = ± .06      FRACTIONS      ±1/32 .XXX = ± .03  REMOVE BURRS AND BREAK EDGES .005  DO NOT SCALE THIS PRINT	DRAWN BY: MSM	SHEET: 1 of 2	PART NUMBER: VSR-TL-B
	CHECKED BY: TP	SCALE: NTS	DESCRIPTION: V-STABILIZER LARGE LEG TOWER KIT
	DATE: 05/15/12	MATERIAL: A36, A500	DRAWING TYPE: ASSEMBLY DRAWING
	REVISION: A	FINISH: GALV A123	 Hickory, NC 28602 U.S.A.
WEIGHT: 147.9 LBS			

8 7 6 5 4 3 2 1



**AVAILABLE CROSSOVER KITS**



PART NUMBER	DESCRIPTION
XP-2020	2-3/8" to 2-3/8"
XP-2025	2-3/8" to 2-7/8"
XP-2030	2-3/8" to 3-1/2"
XP-2040	2-3/8" to 4-1/2"

These drawings and specifications are the proprietary property of CommScope Inc. and may be used only for the specific purpose authorized in writing by CommScope Inc.

ALL DIMENSIONS ARE IN INCHES U.O.S.  
TOLERANCES UNLESS OTHERWISE SPECIFIED:  
.X = ± .12 ANGLES ±2°  
.XX = ± .06 FRACTIONS ±1/32  
.XXX = ± .03

REMOVE BURRS AND BREAK EDGES .005

DO NOT SCALE THIS PRINT

DRAWN BY: MSM	SHEET: 2 of 2	PART NUMBER: VSR-TL-B
CHECKED BY: TP	SCALE: NTS	DESCRIPTION: T-Arm Reinforcement Kit
DATE: 05/15/12	MATERIAL: A36, A500	DRAWING TYPE: ASSEMBLY DRAWING
REVISION: <b>A</b>	FINISH: GALV A123	 Hickory, NC 28602 U.S.A.
	WEIGHT: 147.9 LBS	

8 7 6 5 4 3 2 1