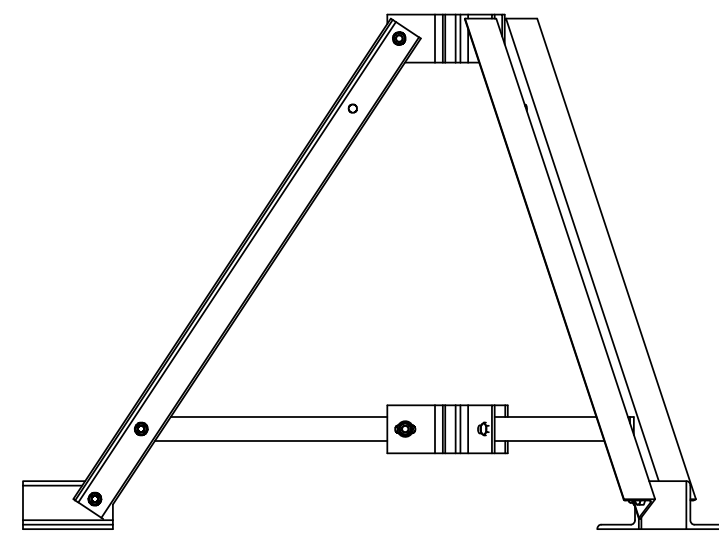
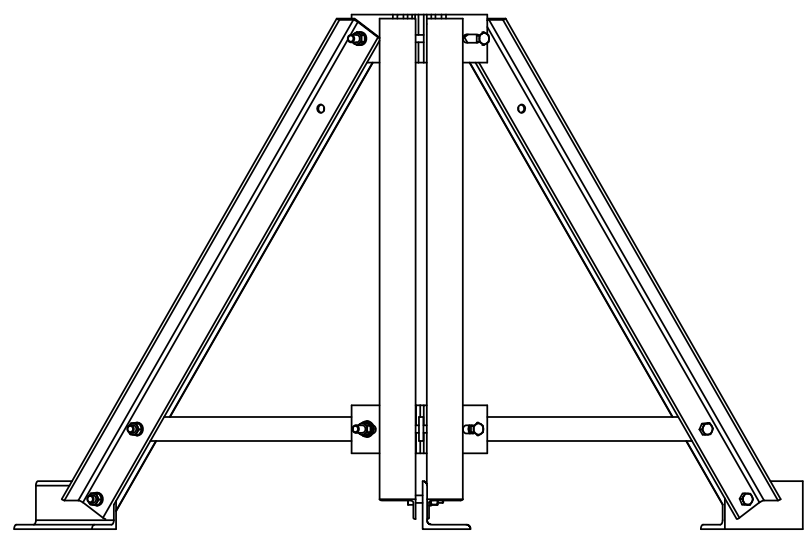
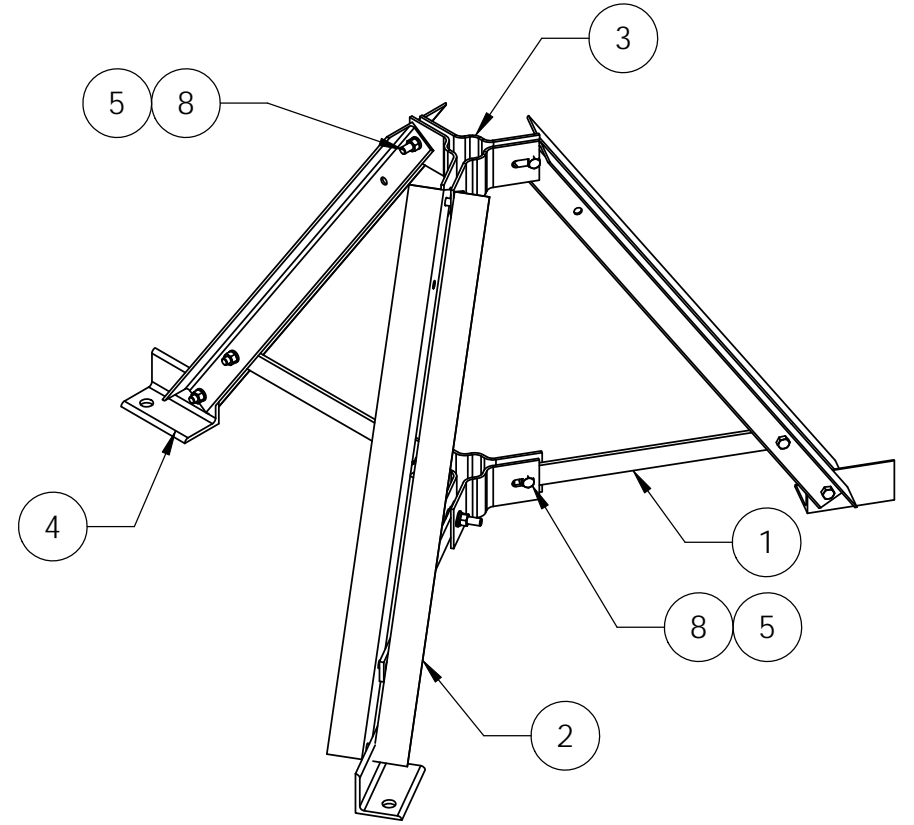
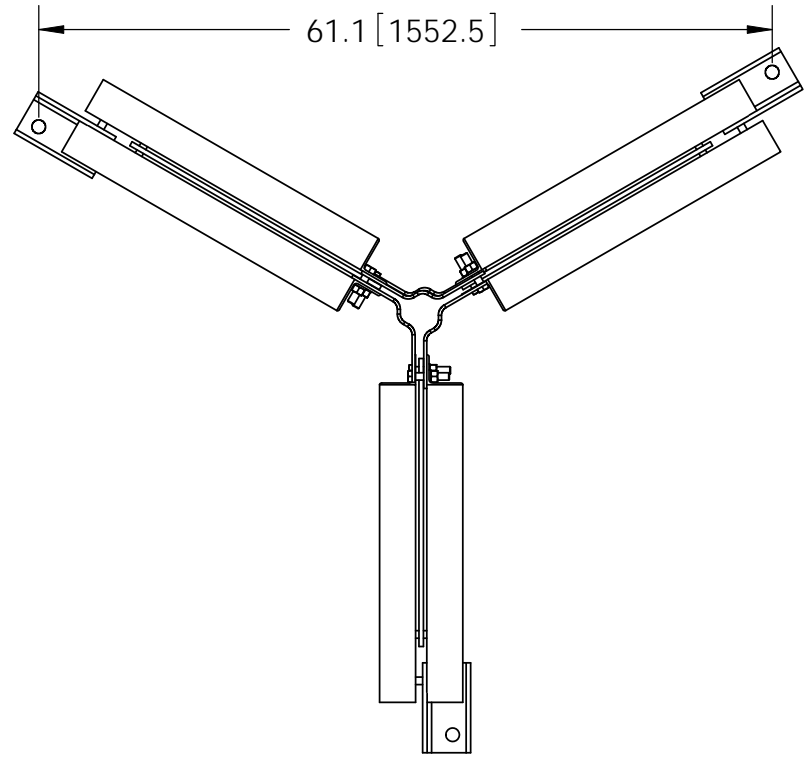


ITEM	PART NO.	DESCRIPTION	TP-G300-B/ QTY.	WEIGHT
1	TPG412B.04	TRIPOD BRACE	3	4.99 LBS
2	TPG412B.09	TRIPOD LEG ANGLE	6	14.74 LBS
3	TPG300B01	Ø 2.875 - 3.50" TRIPOD CLAMP	6	3.09 LBS
4	TPG412B.07	TRIPOD FOOT	3	5.84 LBS
5	GWF-05	5/8" GALV FLAT WASHER	6	0.03 LBS
7	GB-05245	5/8" X 2-1/2" GALV BOLT KIT	6	0.03 LBS
8	GB-05305	5/8" X 3" GALV BOLT KIT	6	0.03 LBS

REVISIONS				
REV.	ZONE	DESCRIPTION	BY	DATE
A		INITIAL RELEASE	H.P.	10/05/09
B		UPDATE HARDWARE	MSM	10/12/09



NOTES:  
1. ALL METRIC DIMENSIONS ARE IN BRACKETS.

These drawings and specifications are the proprietary property of ANDREW CORPORATION and may be used only for the specific purpose authorized in writing by Andrew Corporation.  ALL DIMENSIONS ARE IN INCHES U.O.S. TOLERANCES UNLESS OTHERWISE SPECIFIED: .X = ± .12      ANGLES      ±2° .XX = ± .06      FRACTIONS      ±1/32 .XXX = ± .03  REMOVE BURRS AND BREAK EDGES .005  DO NOT SCALE THIS PRINT	DRAWN BY: H.P.	SHEET: 1 of 1	PART NUMBER: TP-G300-B
	CHECKED BY: TP	SCALE: NTS	DESCRIPTION: Ø 2.875 - 3.500 O.D. PIPE MOUNT TRIPOD BASE
	DATE: 10/05/09	MATERIAL: A36	DRAWING TYPE: ASSEMBLY DRAWING
	REVISION: B	FINISH: GALV A123	WEIGHT: 144.95 LBS