

1

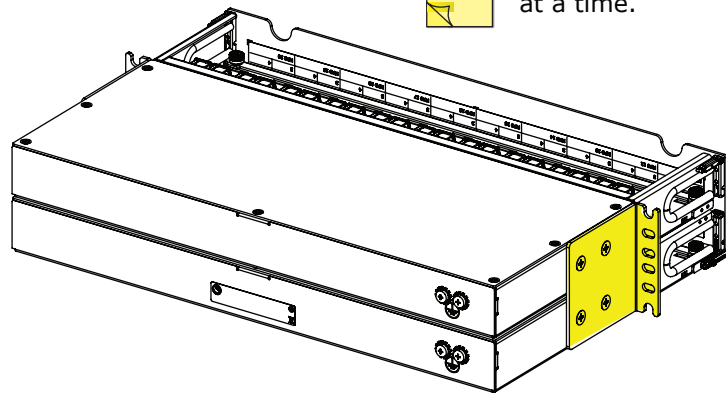
Unpack the panel and check for shipment damage.
Report any damage to the carrier and also file a report at www.commscope.com/SupportCenter

NOTE: These instructions apply to both 1RU and 2RU panels.

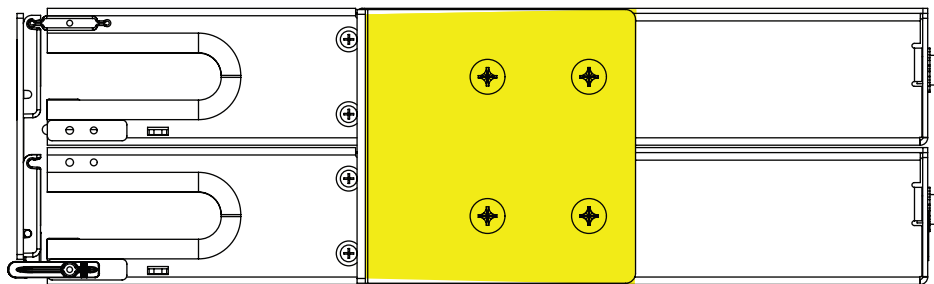
3

Select panel mounting option to be used. Panel is shipped with mounting brackets in position shown. If desired, brackets can be removed and re-mounted in alternative position.

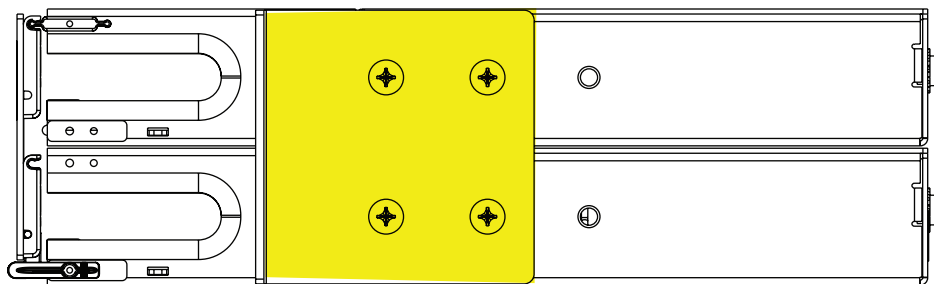
NOTE: Remove brackets one at a time.



BACK OBLIQUE VIEW OF DEFAULT MOUNTING BRACKET POSITION



DEFAULT MOUNTING BRACKET POSITION



ALTERNATIVE MOUNTING BRACKET POSITION

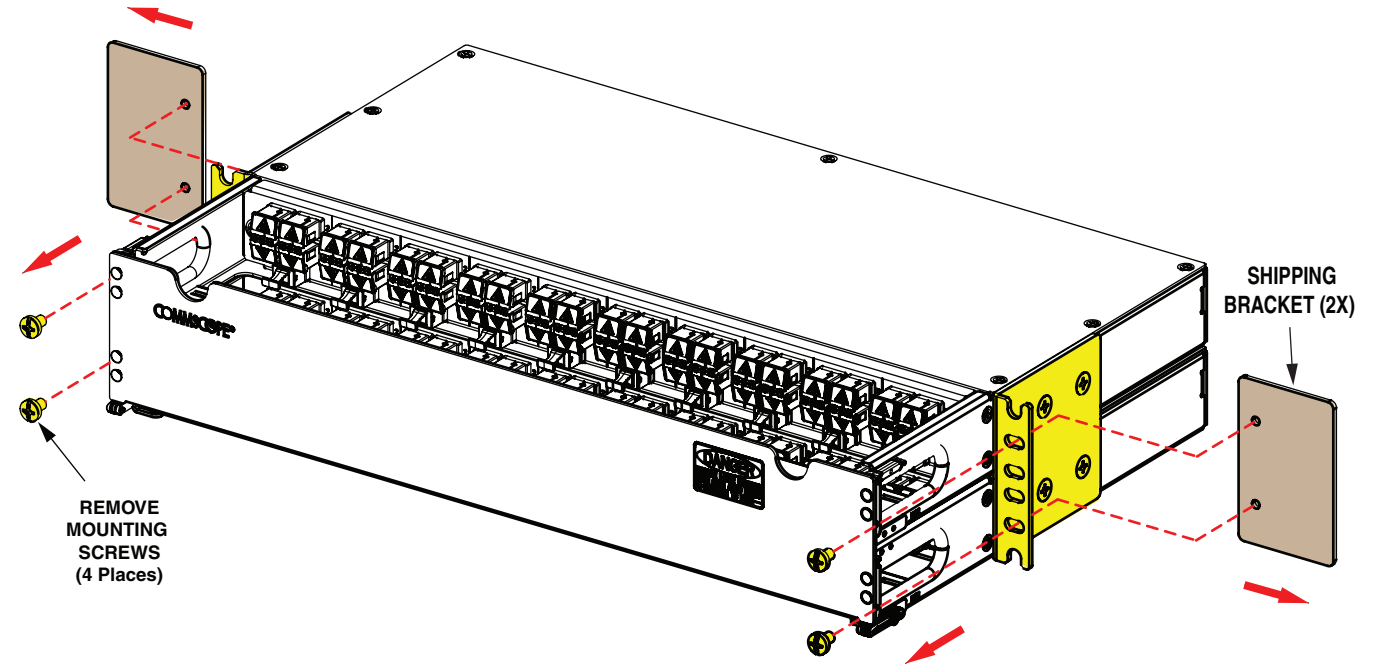
Parts List

PARTS LIST	
QTY	DESCRIPTION
1	FD PANEL
4	#12-24 X 1/2" SCREWS & LOCK WASHERS
4	M6 - 1 X 12mm SCREWS & LOCK WASHERS
2	VERTICAL CABLE GUIDES (VCGs)
2	ADDITIONAL SHORT VCGs
2	#12-24 X 3/4" SCREWS
2	M6 - 1 X 20mm SCREWS
1	VELCRO STRAP (LENGTH 4 FT.)
1	2-HOLE LUG, #6 WIRE
1	1-HOLE LUG, #14-6 WIRE

Required Tool PHILLIPS #2 SCREWDRIVER

2

Remove the shipping brackets.

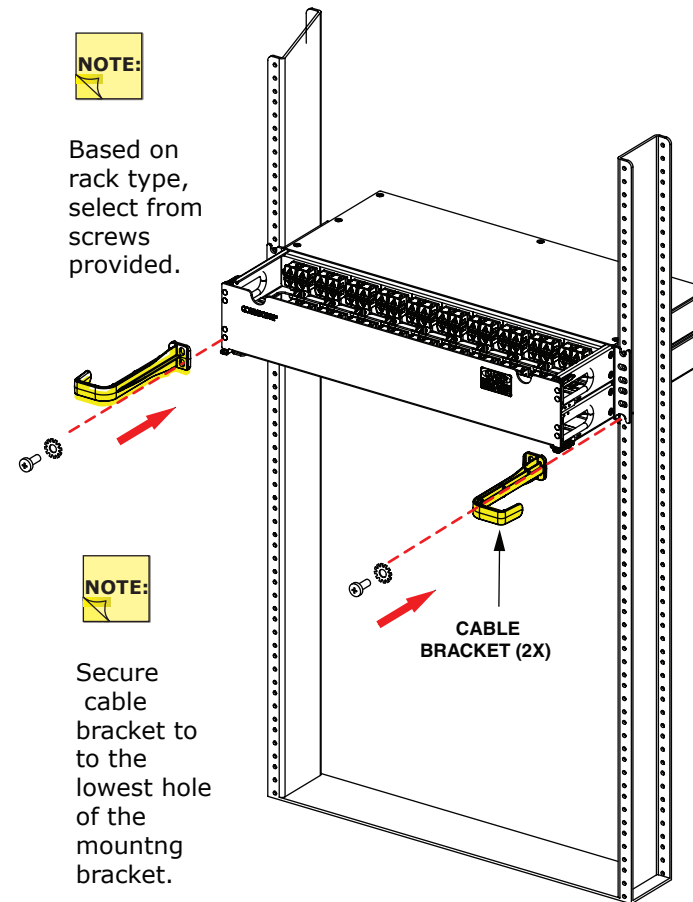


4

Mount panel to rack, and secure the vertical cable guides using screws provided.

NOTE:

Based on rack type, select from screws provided.



NOTE:

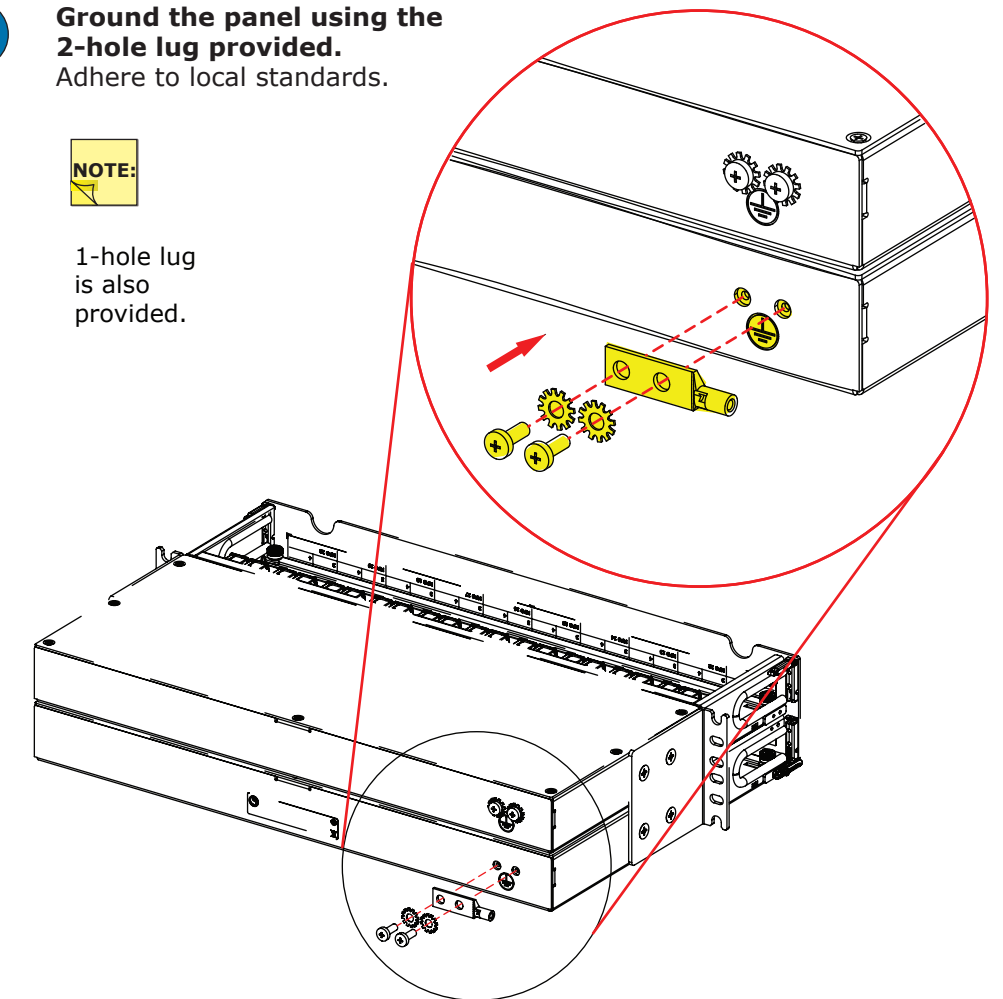
Secure cable bracket to the lowest hole of the mounting bracket.

5

Ground the panel using the 2-hole lug provided.
Adhere to local standards.

NOTE:

1-hole lug is also provided.



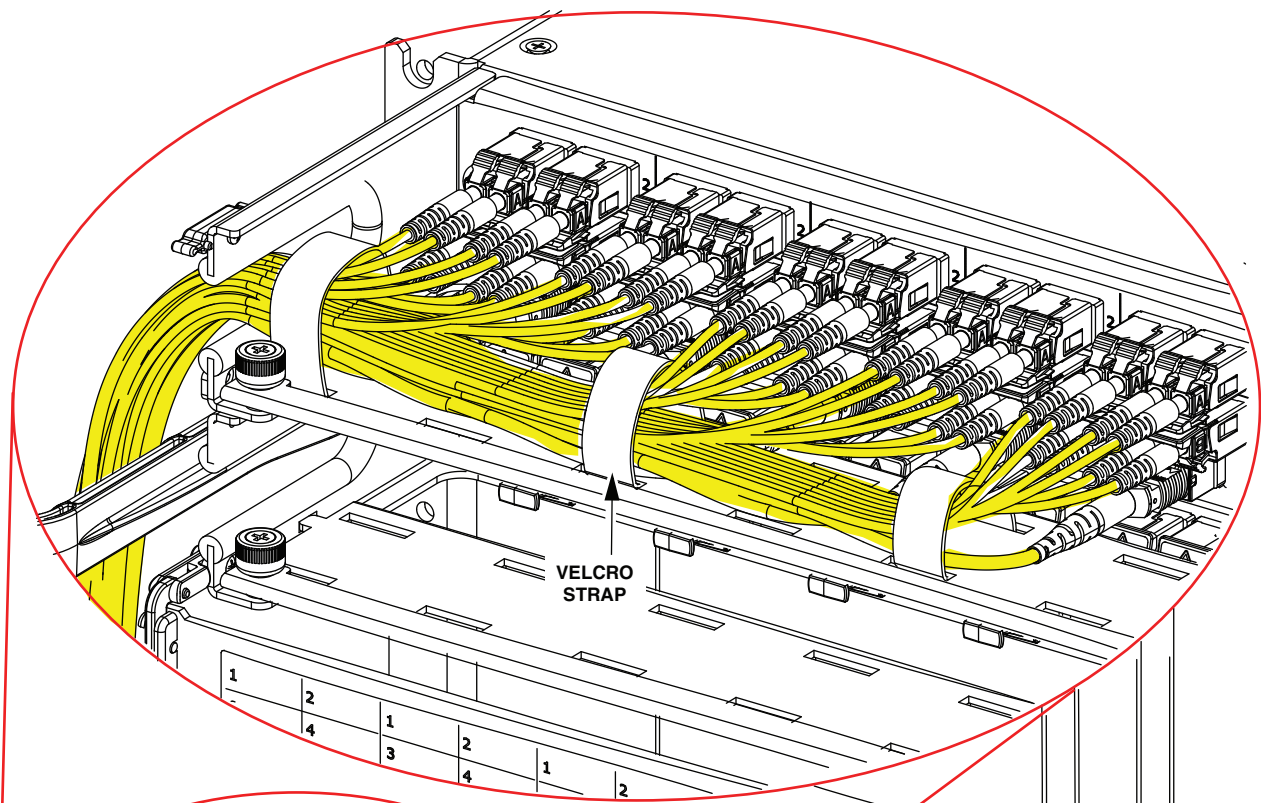
6 Customer Interface Connections are indicated on table below.

CONNECTIONS TABLE		
LC PORT		MPO POSITION
1	B	1
	A	12
2	B	2
	A	11
3	B	3
	A	10
4	B	4
	A	9

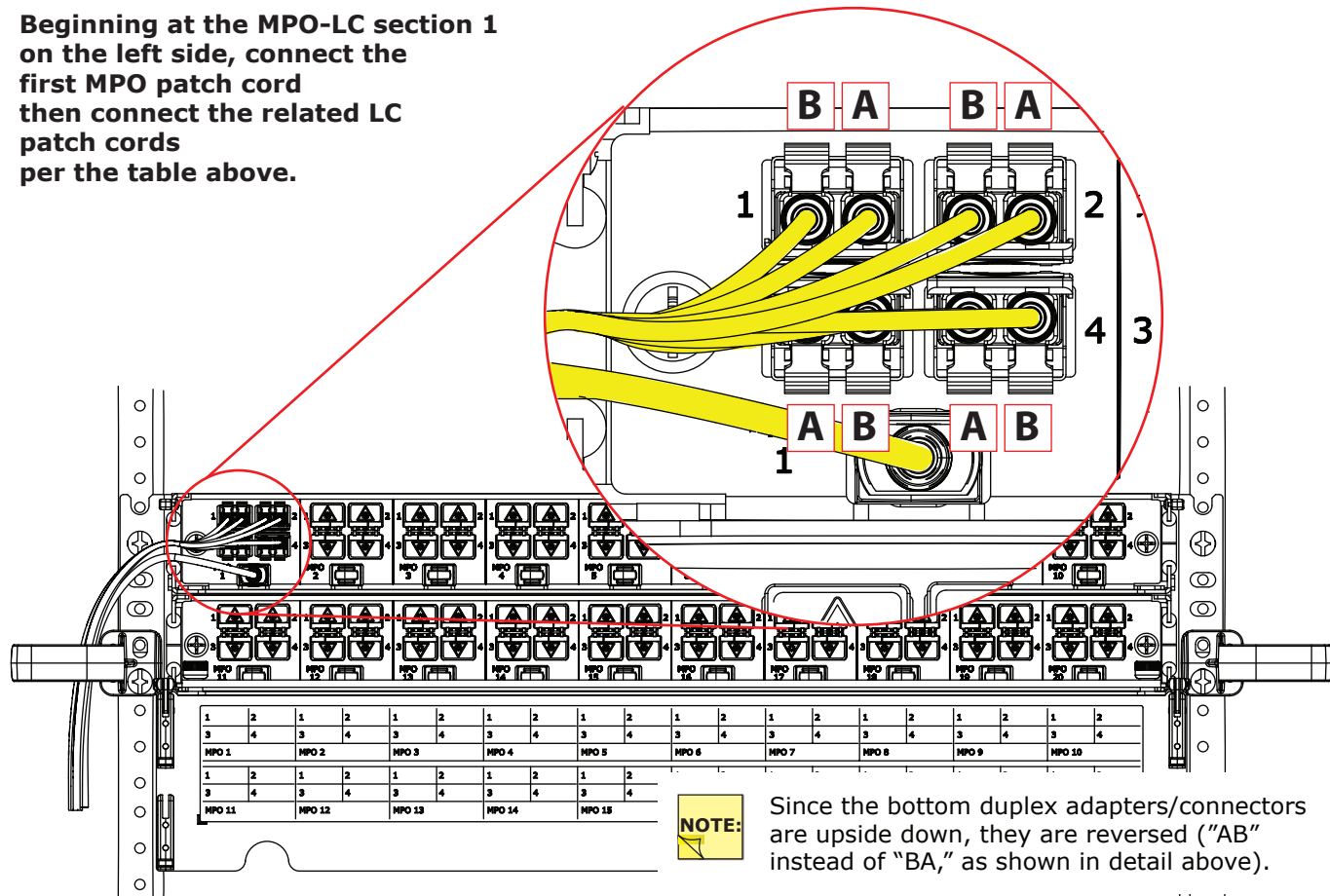
8 Continue to the right, connecting MPO-LC sections while routing the MPO cable and LC patch cords to the left as shown. Route the cables and patch cords up or down the rack to the cable runway.

NOTE:
Order the cables neatly using velcro straps; cut to length needed.

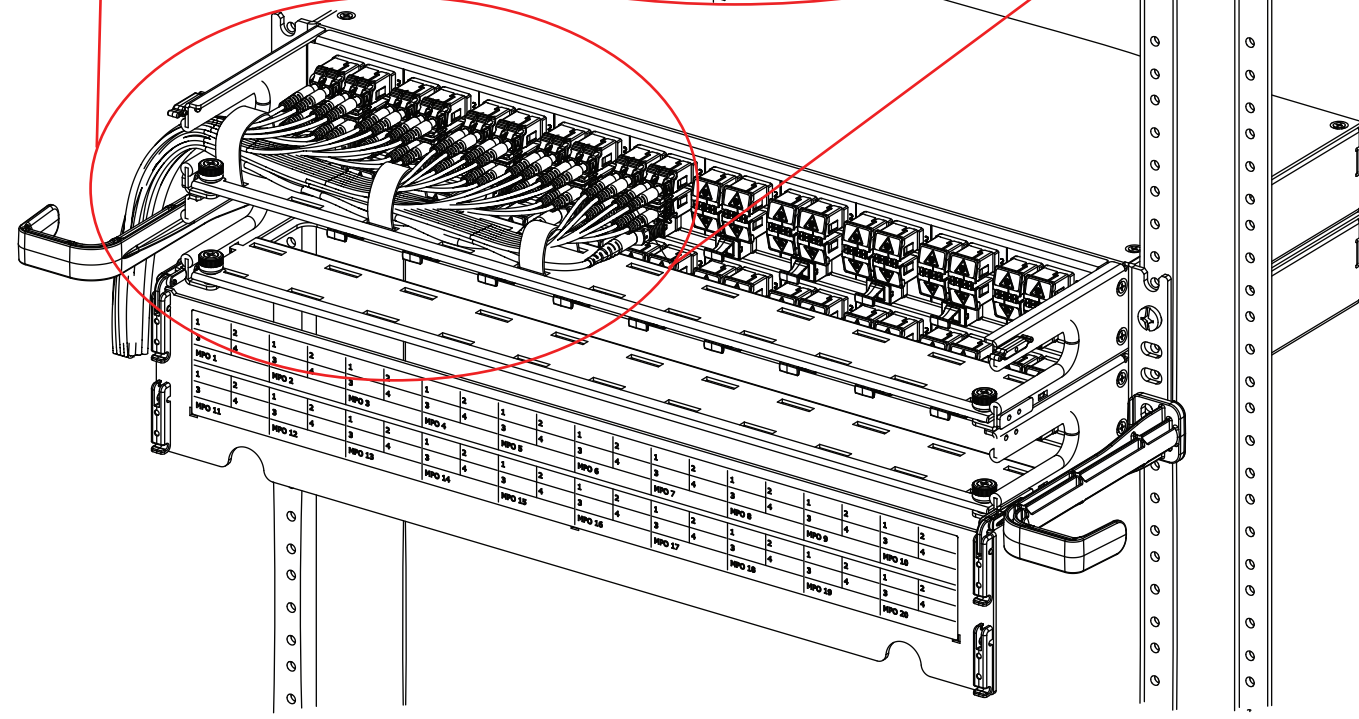
NOTE:
When connecting lower row connectors, remove thumb screws on cable management bar to allow bar to move and provide better access to lower row. Use caution not to stress cables attached to cable bar.



7 Beginning at the MPO-LC section 1 on the left side, connect the first MPO patch cord then connect the related LC patch cords per the table above.



NOTE: Since the bottom duplex adapters/connectors are upside down, they are reversed ("AB" instead of "BA," as shown in detail above).



9 When cabling the other (right) side of the panel, route cables and patch cords in the opposite direction, toward the right side. (Left and right side routing should be mirror images of one another.)

COMMScope®
TECHNICAL ASSISTANCE AND PRODUCT INFORMATION
<http://www.commscope.com/SupportCenter>
PRODUCT PATENTS
<http://www.cs-pat.com>