

FIST-GR2-SMS (Splicing Machine Support)

Content	1 Introduction	4 Mounting the splicing machine support
	2 Mounting possibilities	4.1 Rack Mounting
	3 Maximum load	4.2 Shelf mounting

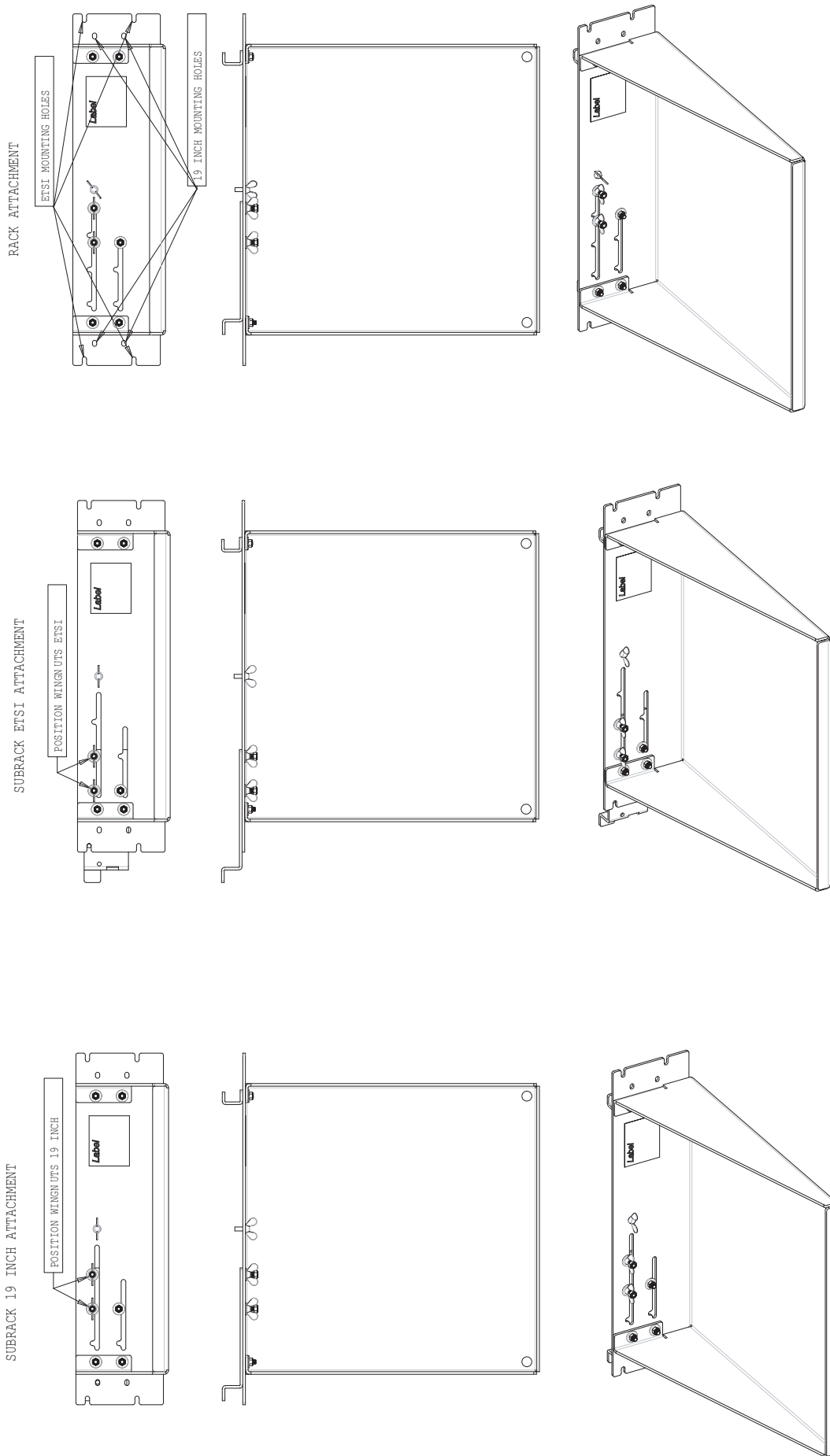
1 Introduction

The FIST-GR2-SMS-01 is a Splicing Machine Support to facilitate splicing in an optical distribution frame and allows bringing the splicing machine closer to the splicing shelf. It can be mounted on the front side of shelves, already installed in the rack or on the rack mounting uprights (back or front mounting).

Features

- Attachment brackets and wing nuts are secured to the support.
- The support can be used with:
 - 19" and ETSI uprights (back- or front mounted)
 - 19" and ETSI shelves.
- Safety locks are foreseen in the slots of the support to avoid accidental moving of the securing system.

2 Mounting possibilities



3 Maximum load

The maximum load is **25 Kg.**

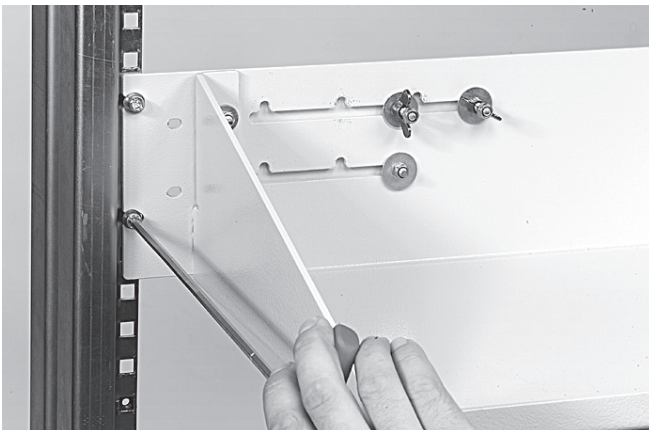
4 Mounting the splicing machine support

4.1 Rack mounting

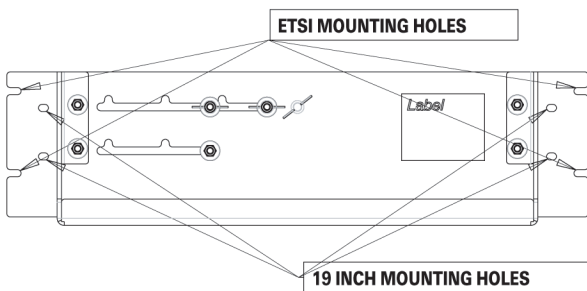
4.1.1 The splicing machine support (as delivered) can only be mounted in a rack without a backplate.
For use in a rack with a backplate, the shelf mounting brackets can be removed from the support.



4.1.2 Install the cage nuts into the rack mounting uprights.



RACK ATTACHMENT



4.1.3 Mount the splice machine support using the FACC-ALLEN-KEY.

Note: - outer slots are for Metric (ETSI) mounting (ETSI pitch);
- inner slots are for 19" mounting (19" pitch).

4.1.4 Place the splicing unit and necessary tools onto the support (Max. 25 Kg) and prepare the to be spliced shelf according to the appropriate instruction.

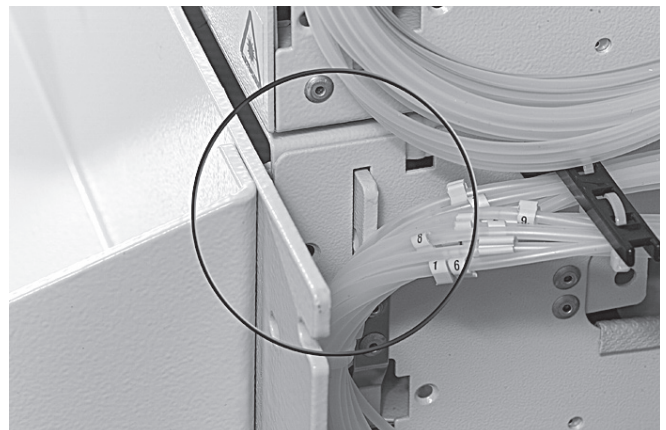
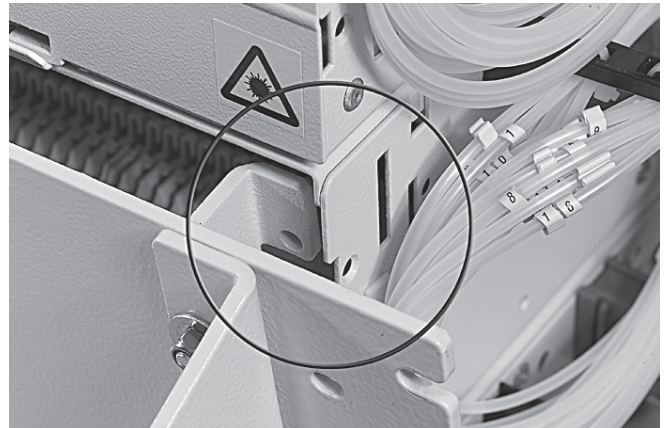
4.2 Shelf mounting

4.2.1 It is recommended to position the splicing machine support 2 shelves lower than the to be spliced shelf. This space is needed to be able to place the splicing machine on the support and access of the to be spliced shelf.

The splicing machine support can not be mounted onto the bottom shelf, there has to be always at least one shelf below.

Note: the required distance can vary depending the used splicing machine.

4.2.2 Open or remove the cover of the shelf where the splicing machine support is mounted.

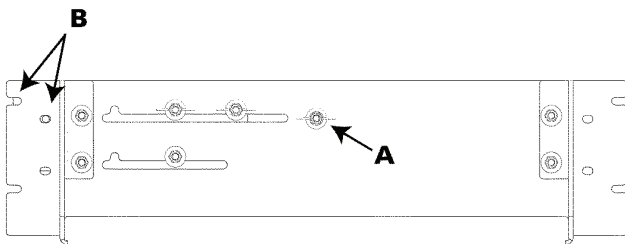


4.2.3 Insert the right side (back bracket) into the slot in the side panel of the shelf.



4.2.4 Loosen the wing nuts of the left bracket and adjust the bracket till it fits into the slot in the side panel of the shelf. Tighten the wing nuts properly.

Note: Make sure the bolts are in the security slots.



4.2.5 Remove the threaded rod with wing nut (A) and insert (screw) into the appropriate hole (ETSI or 19") (B).



4.2.6 Place the splicing unit and necessary tools onto the table (max. 25 kg) and prepare the to be spliced shelf according to the appropriate instruction.