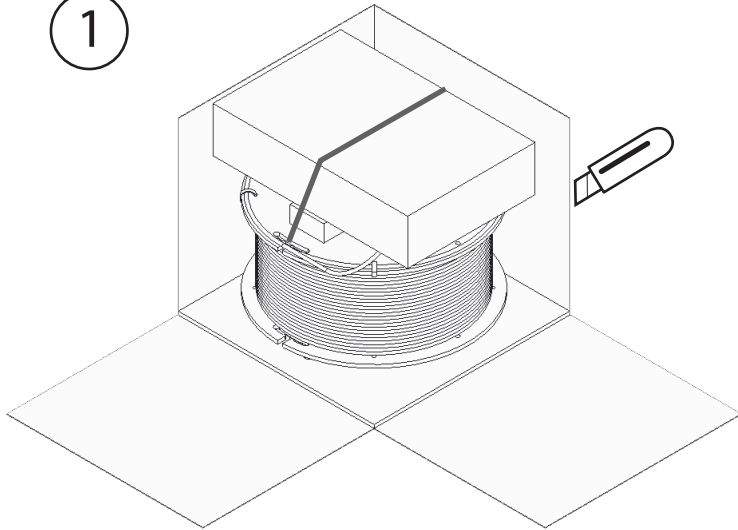


PRE-STUBBED FACT

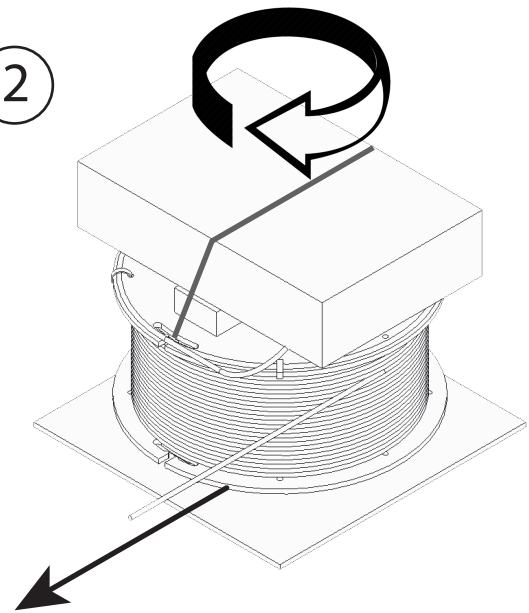
1



Cut the 4 corners of the cardboard box to remove it.

Decoil the cable, by pulling it. The reel will spin during decoiling.

2



Remove the straps. Unpack the elements and mount them in the frame.

3

