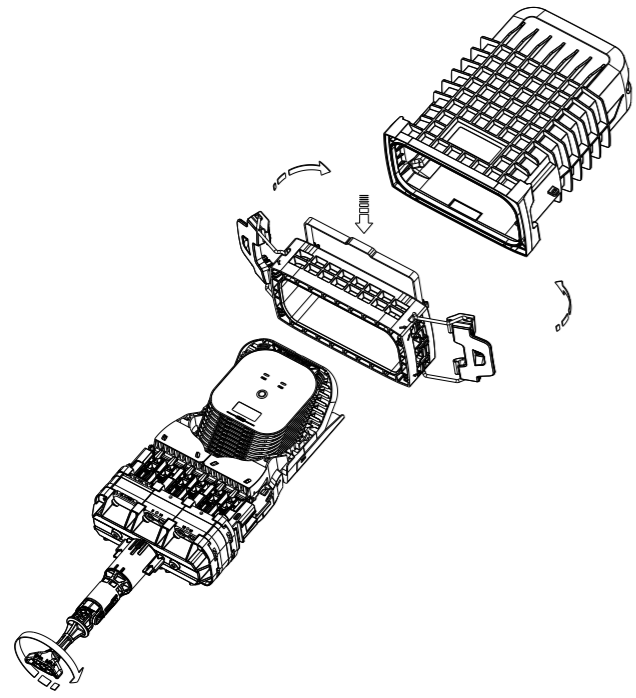
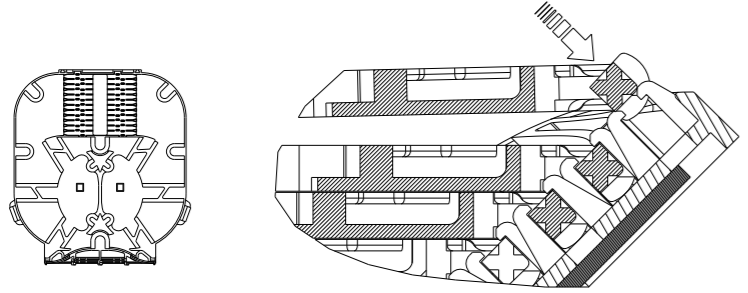


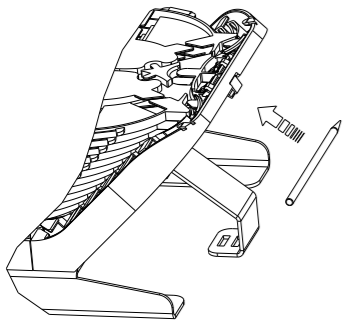
1



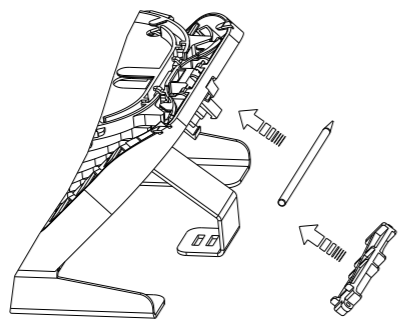
2



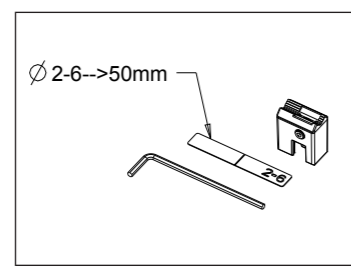
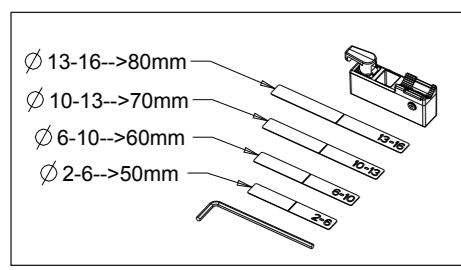
3.1



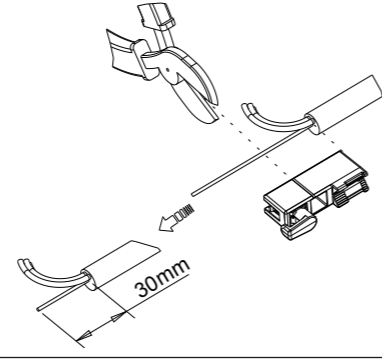
3.2



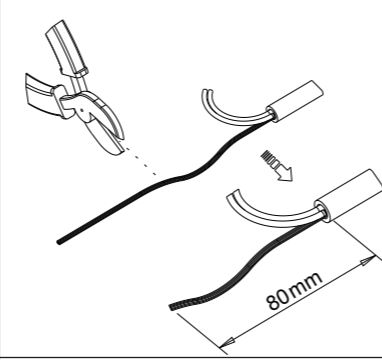
4.1



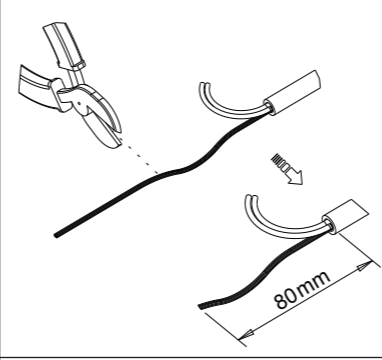
4.2



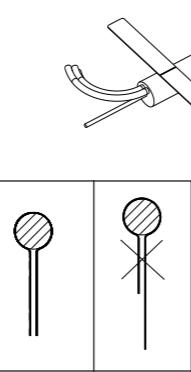
4.2'



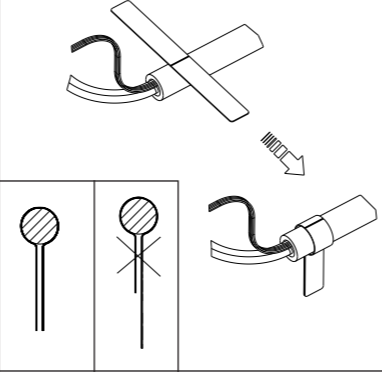
4.2''



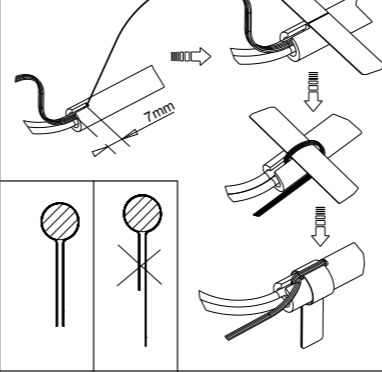
4.3



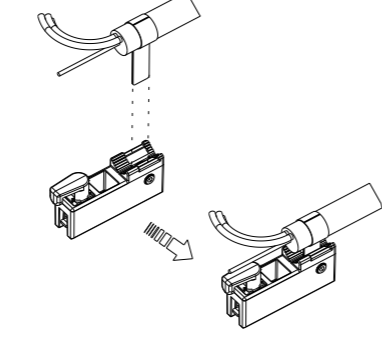
4.3'



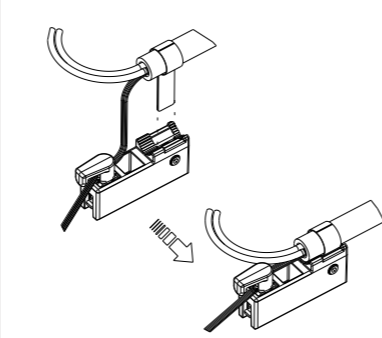
4.3''



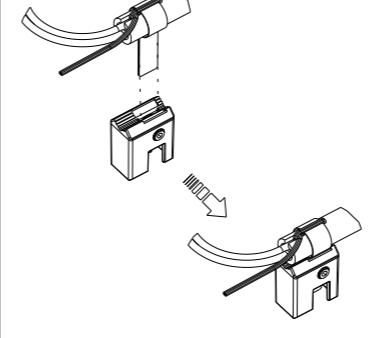
4.4



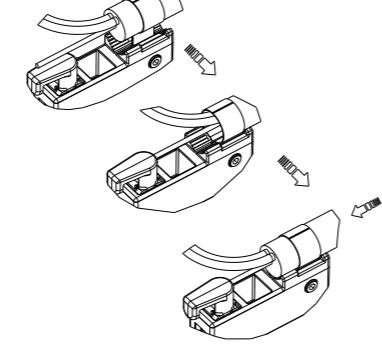
4.4'



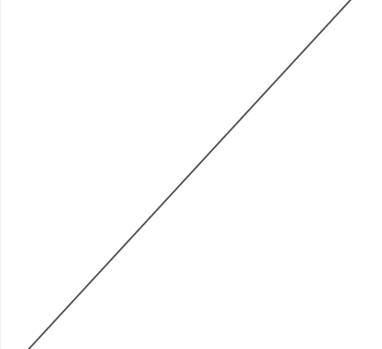
4.4''



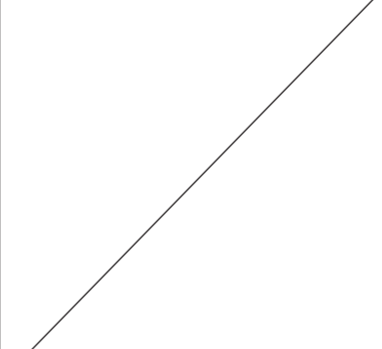
4.5



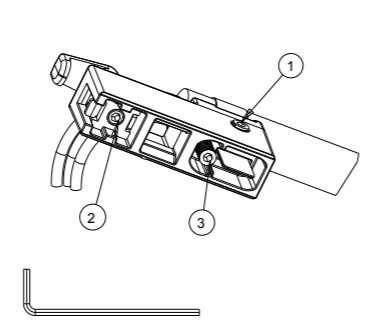
4.5'



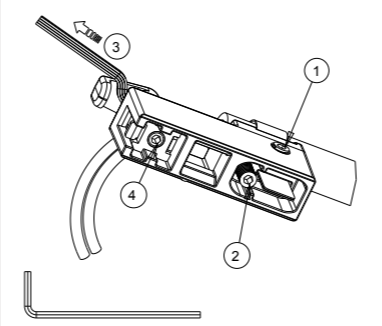
4.5''



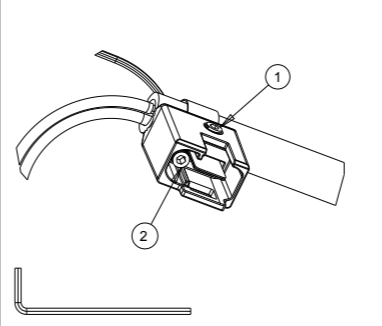
4.6



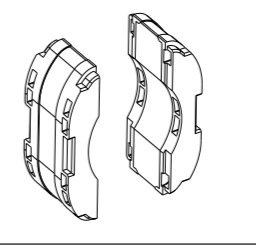
4.6'



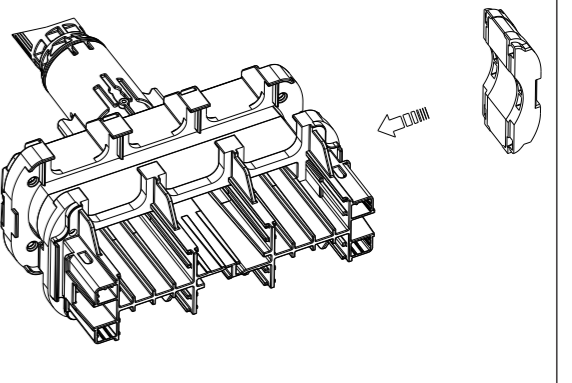
4.6''



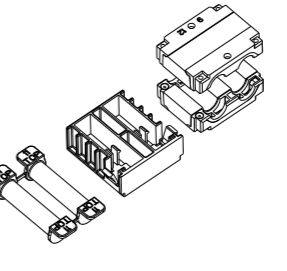
5.1



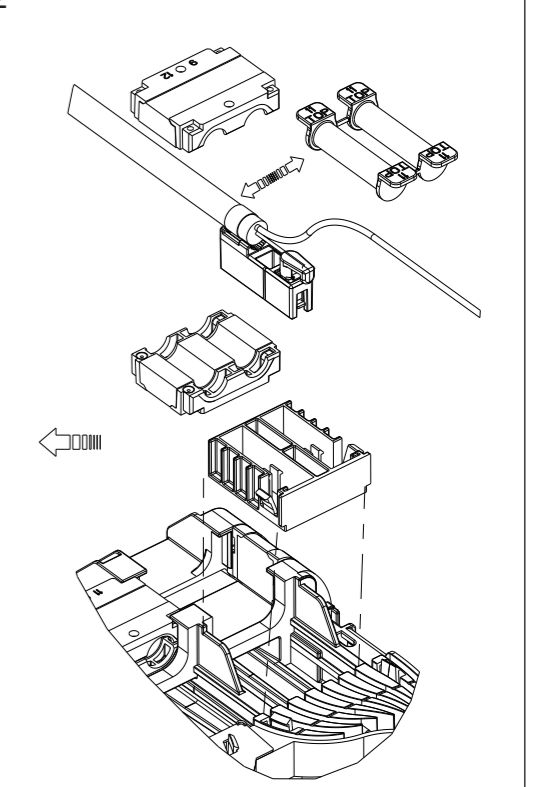
5.2



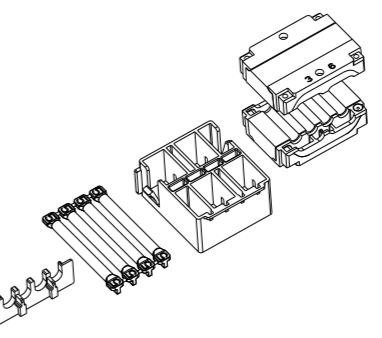
6.1



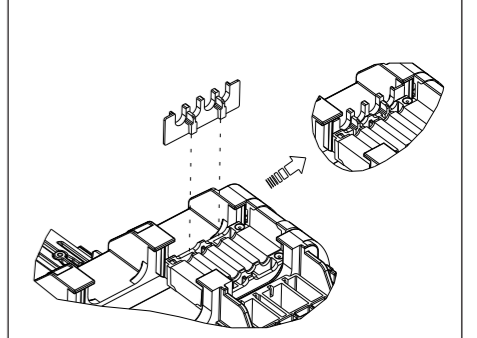
6.2



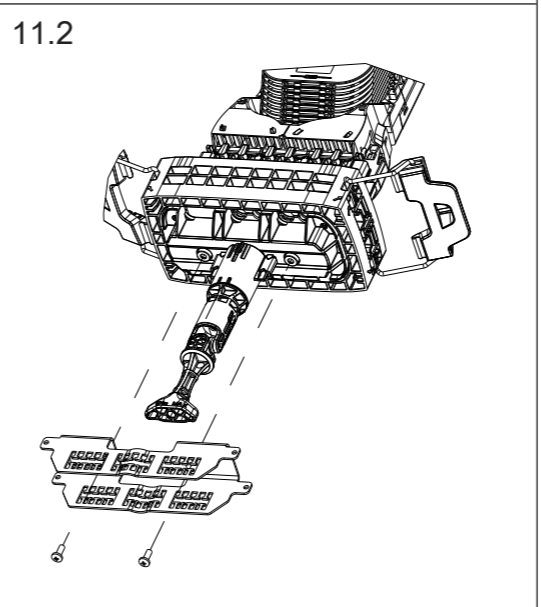
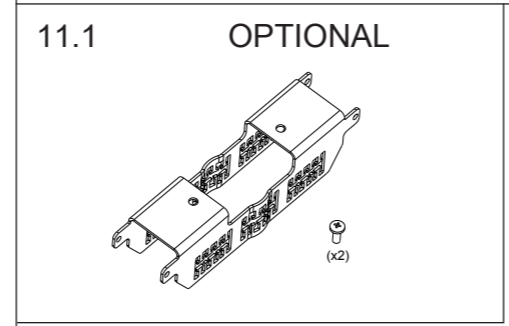
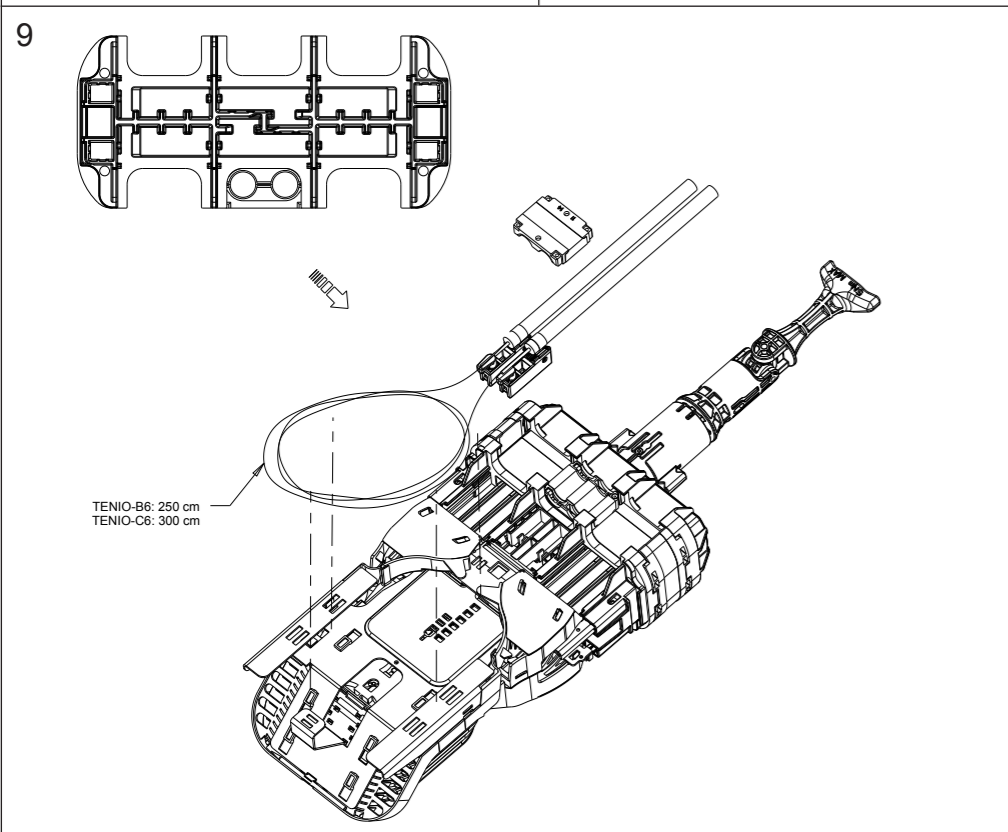
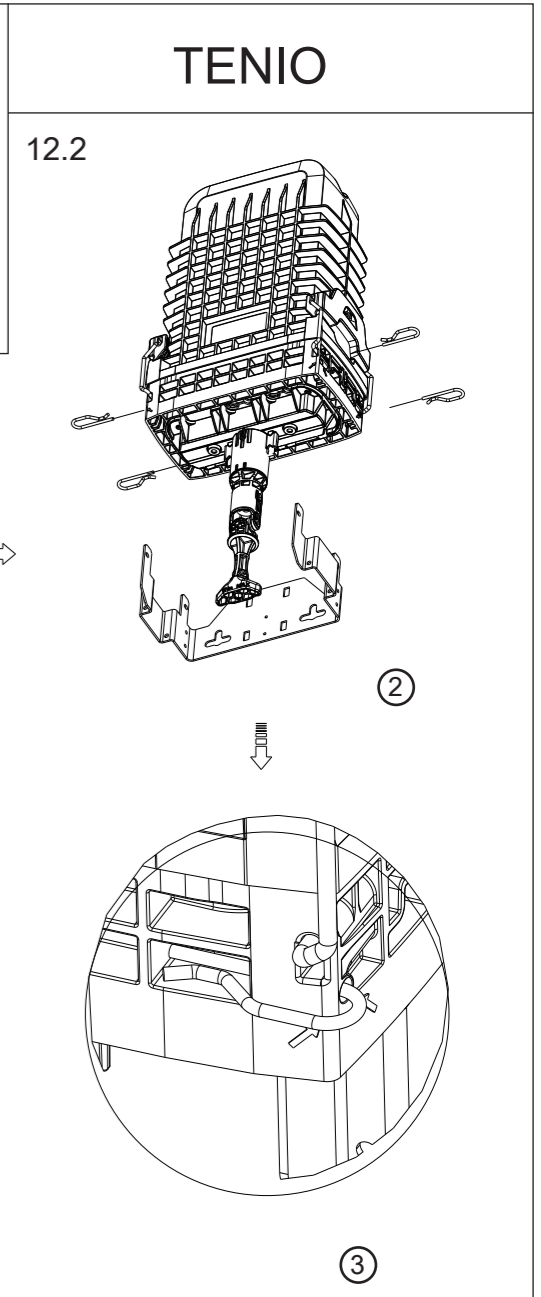
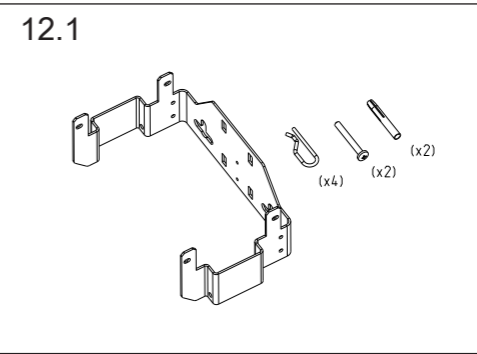
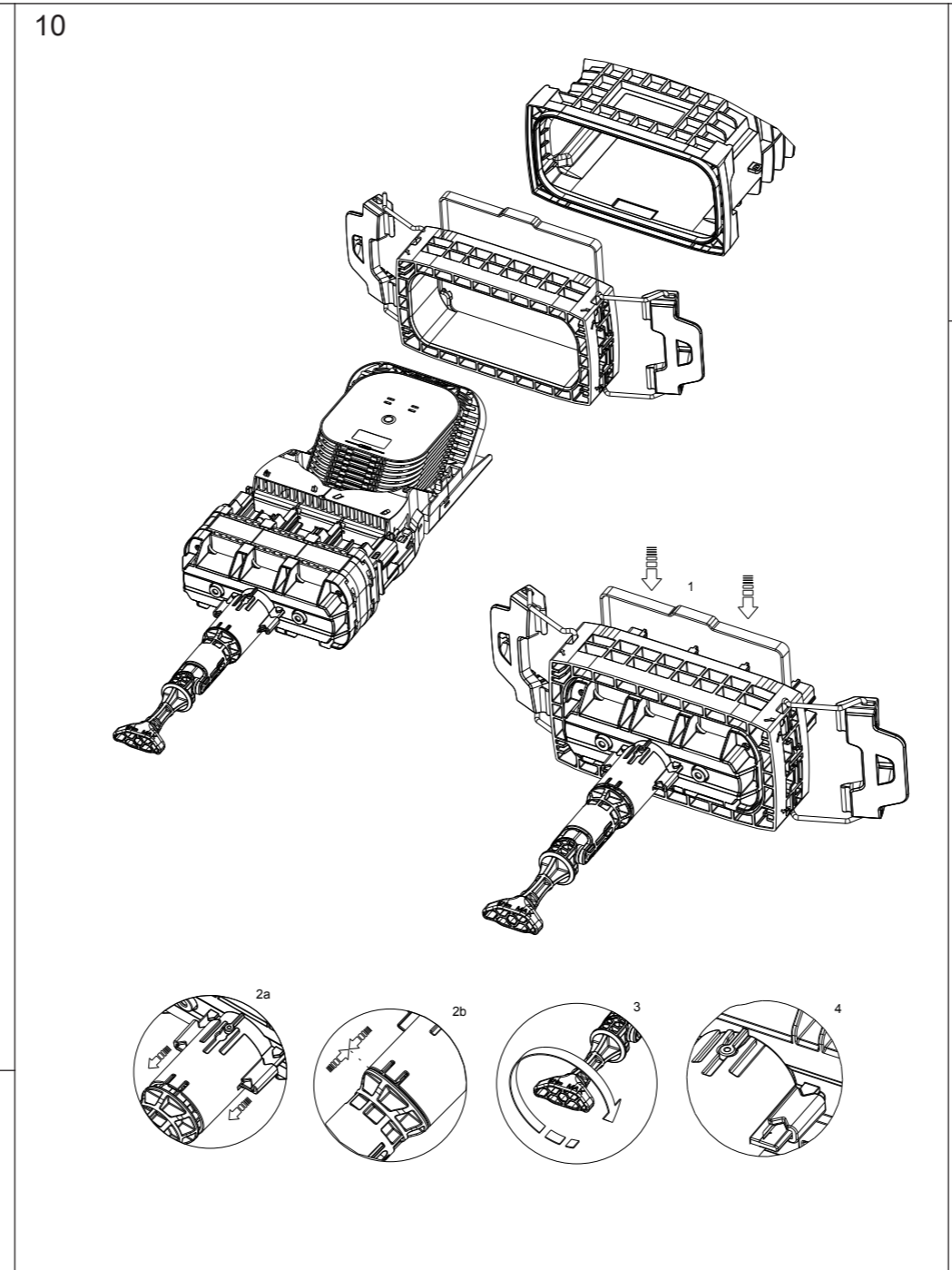
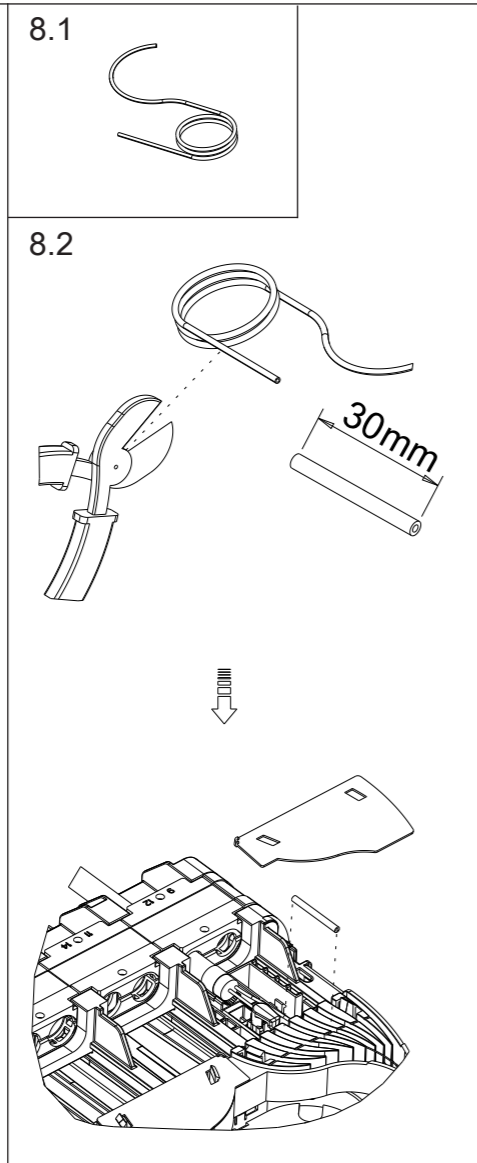
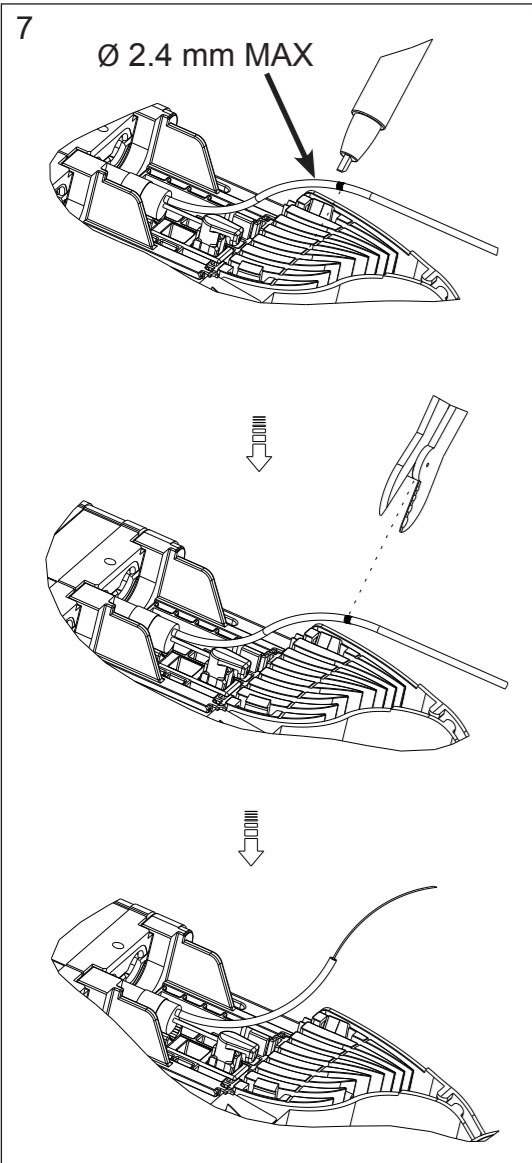
6.1'



6.2'



TENIO



Visit our website or contact your local CommScope® representative for more information. www.commscope.com
 All trademarks identified by ® or ™ are registered trademarks or trademarks, respectively, of CommScope, Inc. © 2018 CommScope, Inc. All Rights Reserved
 This product may be covered by one or more U.S. patents or their foreign equivalents. For patents, see www.cs-pat.com
 For technical assistance, customer service, or to report any missing/damaged parts, visit us at: <http://www.commscope.com/SupportCenter>