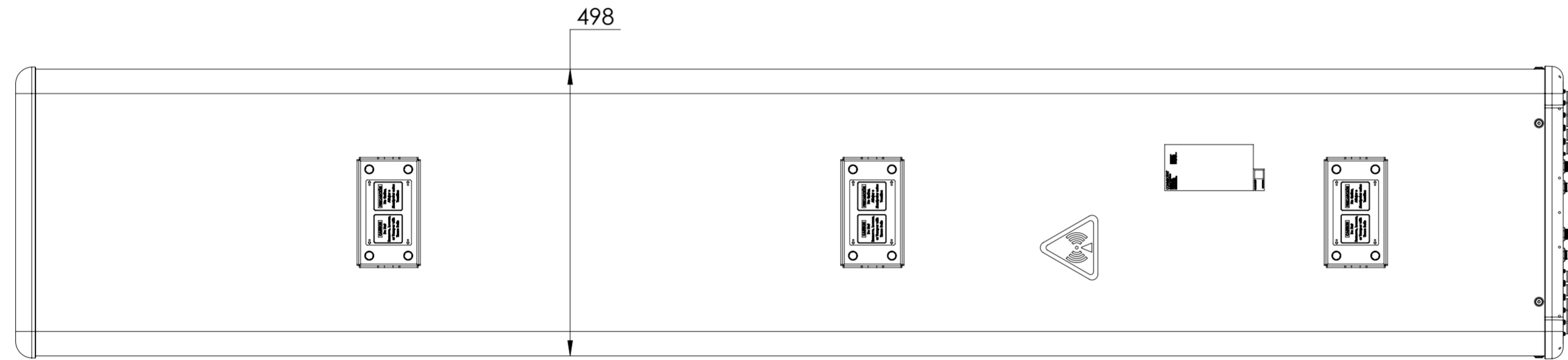
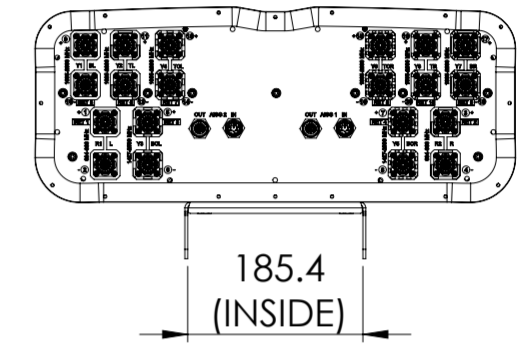
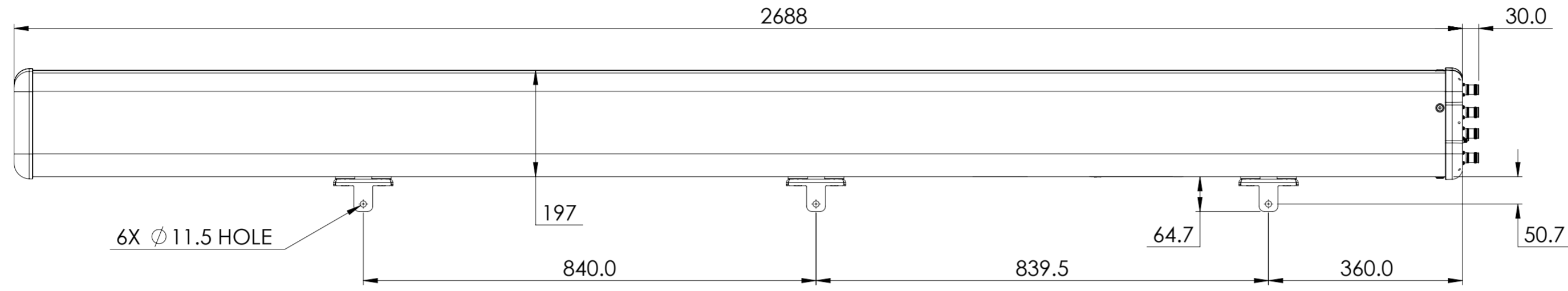


REVISION
B



RRZZV6-65D-R10