

4

3

2

1

NOTES:

1. CUSTOMER ASSEMBLY SHEETS 2-5.

REVISIONS				
REV.	ECN	DESCRIPTION	BY	DATE
A	8000005635	INITIAL RELEASE	MSM	10/27/14
B	8000010871	ADDED LIGHTING ROD	RJC	10/29/2015
C	8000025790	UPDATED BOTTOM POLE ASSEMBLY AND SHROUD	MRC	08/17/17

ITEM	PART NO.	DESCRIPTION	QTY.	WEIGHT	NOTE NO.
1	MTC400401 WA	HINGE POLE ASSEMBLY	1	1741.34 LBS	
2	STDBHK	HARDWARE KIT FOR 40'/60' HINGE POLES	1	N/A	
3	MTC317004	UPPER POLE WELDMENT	1	284.10 LBS	



DENSITY	0.28	lbs/in ³
MASS	2042.97	lbs
VOLUME		in ³
SURFACE AREA		in ²
HEIGHT		
LENGTH		
WIDTH		

COMMSCOPE, INC. OF NORTH CAROLINA										
TOLERANCES					SAP MATERIAL MASTER					
0 PLACE X ± .25		2 PLACE .XX ± .06			ST-DBH60					
1 PLACE .X ± .12		ANGLES ± 2°								
FINISH					MATERIAL					
GALV A123					A36, A572					
UNLESS OTHERWISE SPECIFIED DIMENSIONS ARE IN MILLIMETERS INTERPRET PER ISO STANDARDS HANDBOOK TECHNICAL DRAWINGS VOLUMES 1 & 2, THIRD EDITION (2002)	CE	NAME	DATE	TITLE						
	RW	DRR	0721/11	60' HINGE POLE, 120MPH WIND						
	RV									
	AD			SCALE	DOCUMENT NO.					
	RE	TP	0721/11	1:56	ST-DBH60					
ECN	800000		SIZE	WORK AREA	MODEL			DRAWING		SHEET
C			VERSION	STATUS	REVISION	VERSION	STATUS	REVISION	C	1 OF 5

4

3

2

1

4

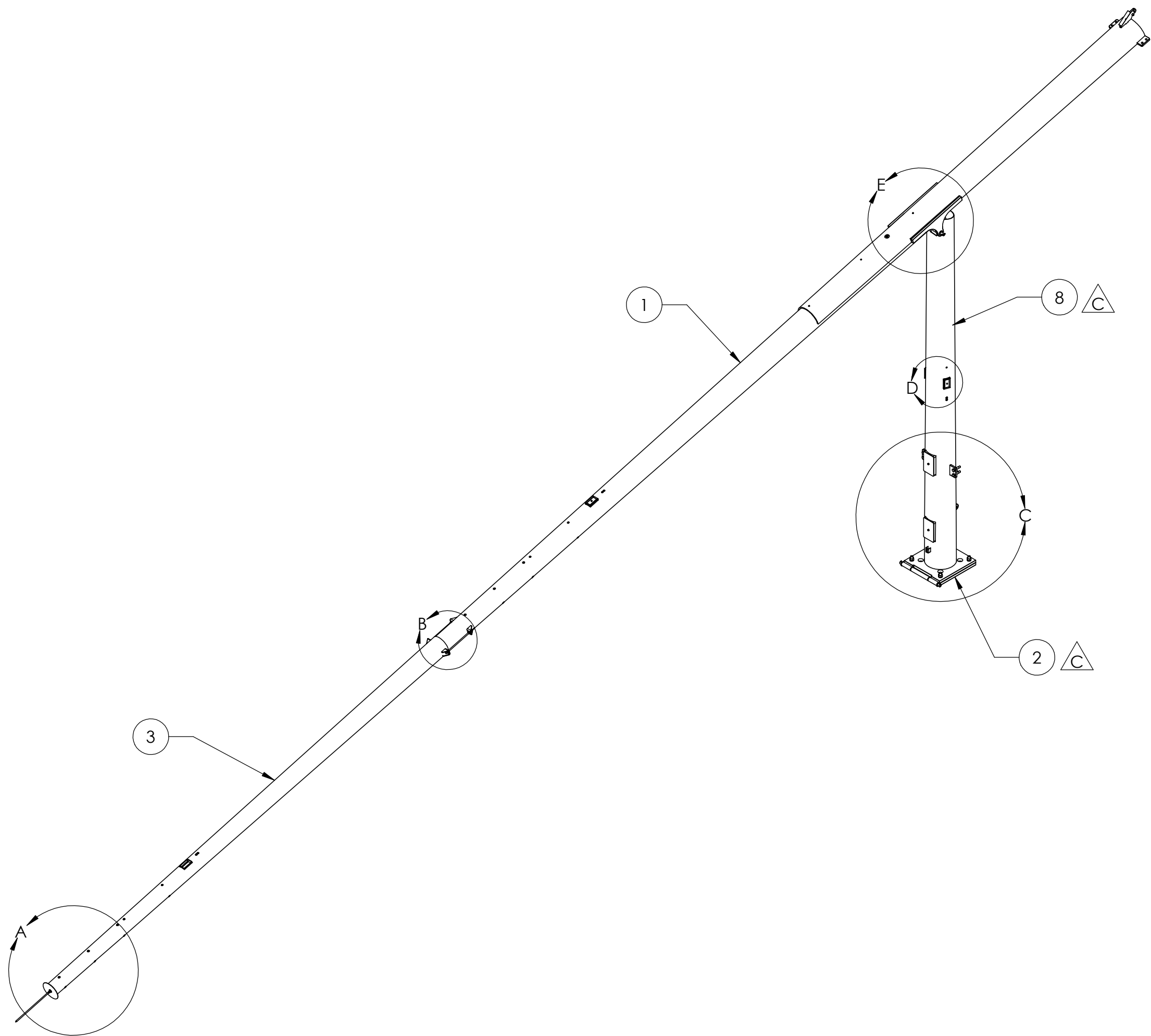
3

2

1

NOTES:

ITEM	PART NO.	DESCRIPTION	QTY.	WEIGHT
1	MTC317008	MID HINGE POLE WELDMENT	1	1114.76 LBS
2	MTC400405W	WELDMENT, LOWER HINGE PLATE	1	113.78 LBS
3	MTC317004	UPPER POLE WELDMENT	1	284.10 LBS
4	GN-04	1/2" GALV HEX NUT	1	0.04 LBS
5	MTC317006	6X10 HANDHOLE COVER KIT	2	2.60 LBS
6	MTC317035	TOP CAP	1	1.99 LBS
7	MTC317059	3X5 HANDHOLE COVER KIT	3	0.82 LBS
8	MTC400402	WELDMENT, BOTTOM POLE SECTION	1	489.13 LBS
9	MTC31292	2' LIGHTENING ROD	1	1.37 LBS
10	MT-379-16	1/2" X 16" GALV THREADED ROD	2	0.88 LBS
11	GWL-04	1/2" GALV LOCK WASHER	6	0.01 LBS
12	GN-04	1/2" GALV HEX NUT	7	0.04 LBS
13	MTC317040	1" DIAMETER HINGE PIN	1	3.91 LBS
14	MTC317042	4" FLEXIBLE CONDUIT	1	3.01 LBS
15	MTC317043	CONDUIT BRACKET	1	0.03 LBS
16	GB-04165	1/2" X 1-3/4" GALV BOLT KIT	1	0.14 LBS
17	HC152210	UNIVERSAL BAND CLAMP 2" - 10"	1	0.08 LBS
18	MTC9406	.25" X 1.5" SS HEX BOLT	4	0.03 LBS
19	SNYL02	1/4" SS HEX NUT	4	0.01 LBS
20	GWF-08	1" Galv Flat Washer	4	0.09 LBS
21	MTC317041	1.0" DIAMETER HINGE PIN	1	5.24 LBS
22	GB-0844A	1"-8 X 4.5" GALV BOLT KIT A325	4	1.33 LBS
23	RN-03L844	3/8" STAINLESS STEEL RIV-NUT	10	0.02 LBS
24	RN-04L906	1/2" STAINLESS STEEL RIV-NUT	9	0.03 LBS
25	GB-0634A	3/4" X 3-1/2" GALV BOLT KIT A325	4	0.59 LBS



STDBHK HARDWARE KIT			
ITEM	COMPONENTS	DESCRIPTION	QUANTITY
MTC317006		6" x 10" Hand Hole Cover Kit	2.000 EA
	MTC317033	6" x 10" Hand Hole Cover Plate	2.000 EA
	MTC317034	Handhole Cover Lock Plate	2.000 EA
	SB-0224	Bolt, 1/4" X 2-1/2" SS Type 18-8 (ea)	2.000 EA
MTC317035		Top Cap for MTC3170 Pole	1.000 EA
MTC317059		3" x 5" Handhole Cover Kit for MTC3170	3.000 EA
	MTC3089M6820	3 x 5 Handhole Cover	3.000 EA
	MTC3089M6821	Handhole Cover Lock Plate	3.000 EA
	SB-0220	Bolt, 1/4" X 2" SS Type 18-8 (ea)	3.000 EA
MTC3170HB2		Top Pole Hardware kit for MTC3170 Pole	1.000 EA
	MT37916	Threaded Rod Galv 1/2" x 16" (ea)	2.000 EA
	GN-04	Galv Hex Nut 1/2" (C2) (ea)	6.000 EA
	GWL-04	Galv Lock Washer, 1/2" (ea)	6.000 EA
MTC317063		Lock Security Plate	1.000 EA
MTC3112		Antenna Pipe Mounting Angle Kit	1.000 EA
	MTC311201	Angle Bracket For MTC3112	2.000 EA
	GUB-4240	U-Bolt 1/2" x 2-1/2" x 4"	2.000 EA
	SB-0412	1/2 x 1-1/4 SS Bolt	2.000 EA
	SWL-04	Lock Washer, 1/2" SS	2.000 EA
MTC31292		Lightening Rod	1.000 EA

COMMScope, INC. OF NORTH CAROLINA			
TITLE			
60' HINGE POLE ASSEMBLY 120MPH			
SIZE	SCALE	DOCUMENT NO.	
C	1:42	ST-DBH60	
DRAWING			SHEET
VERSION	STATUS	REVISION	2 OF 5
		C	

© 2015 CommScope, Inc. Confidential

4

3

2

1

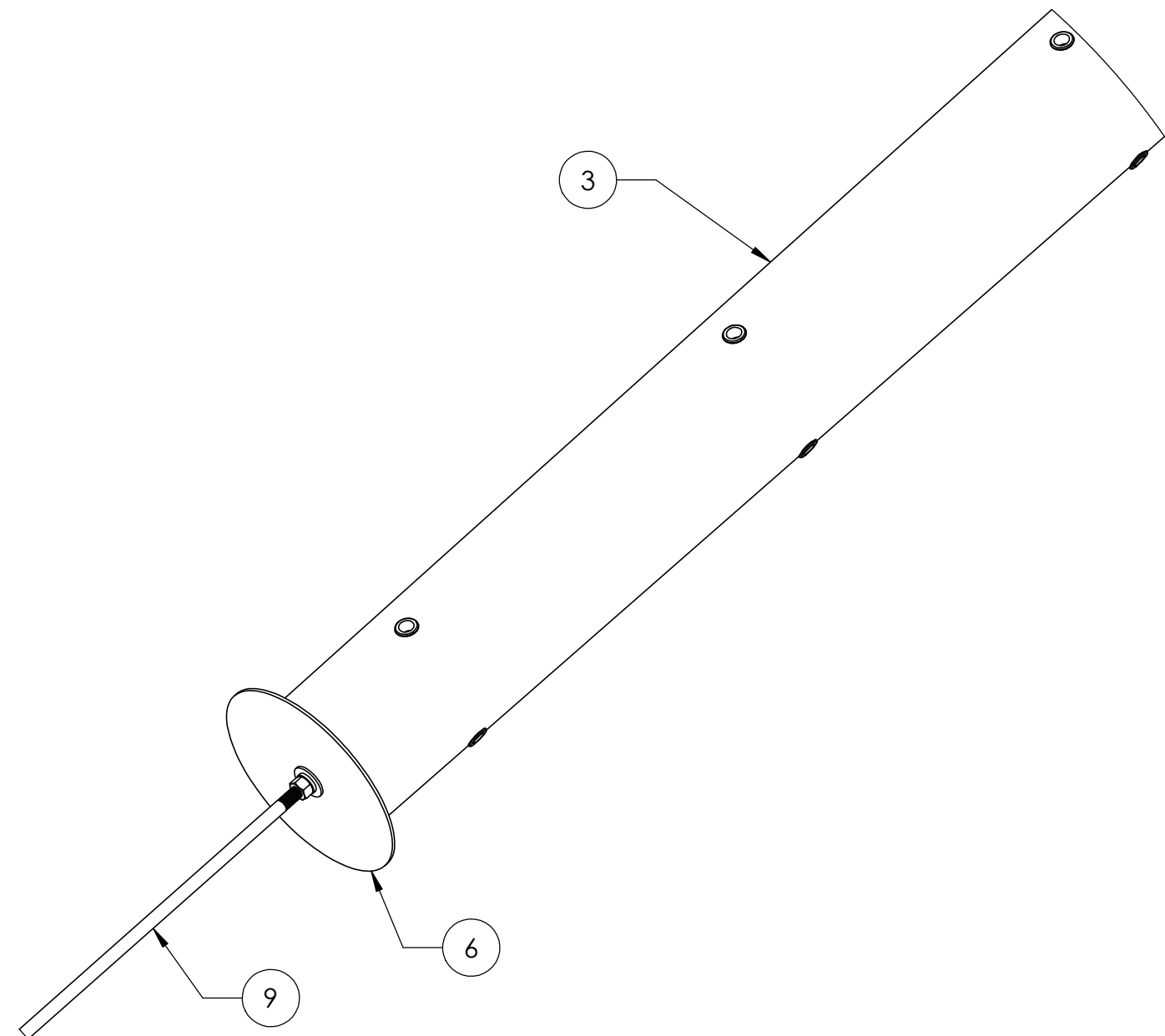
4

3

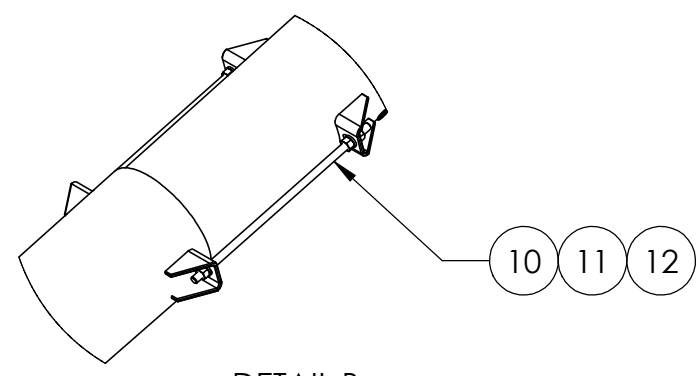
2

1

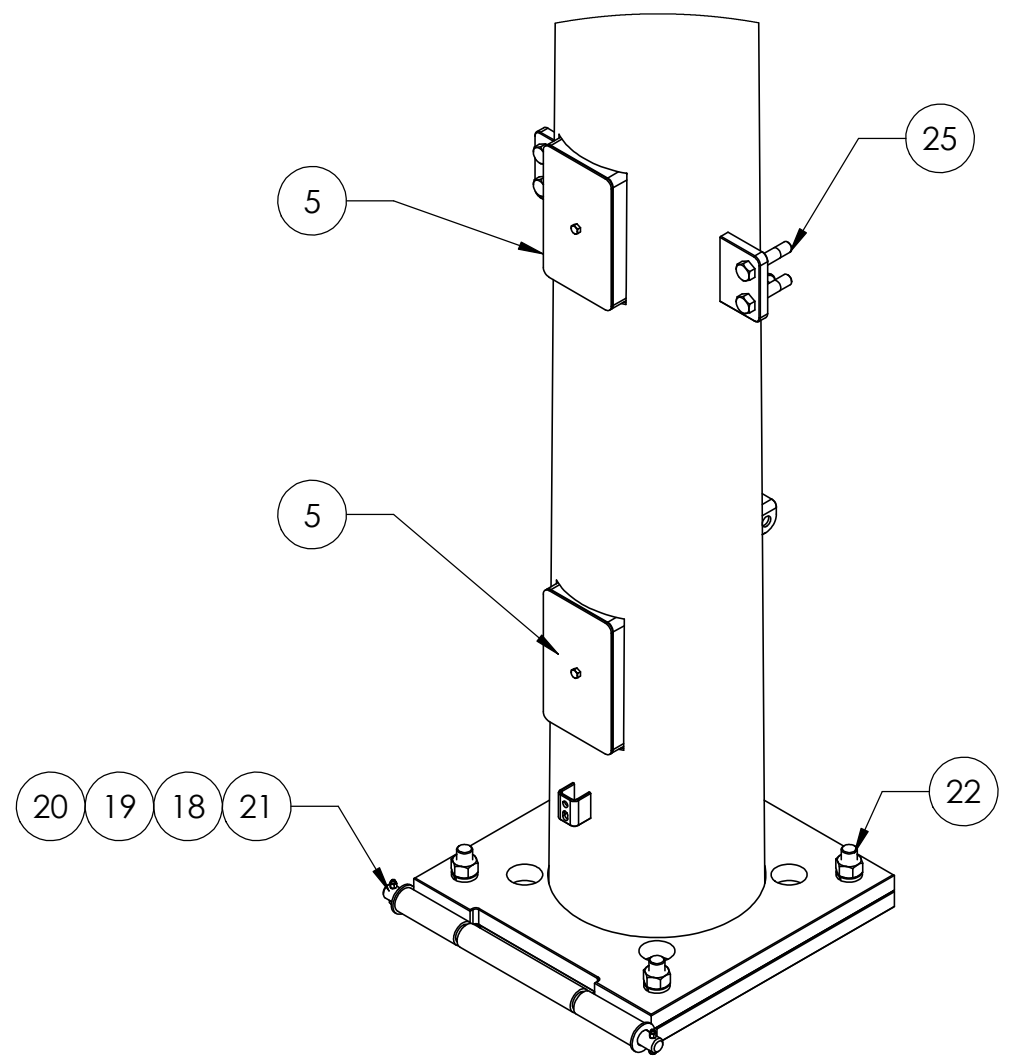
NOTES:



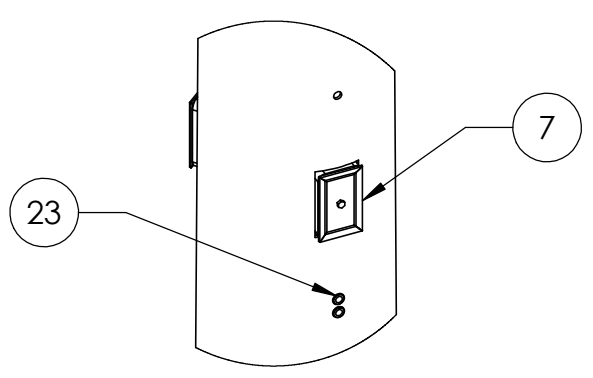
DETAIL A
SCALE 1:6



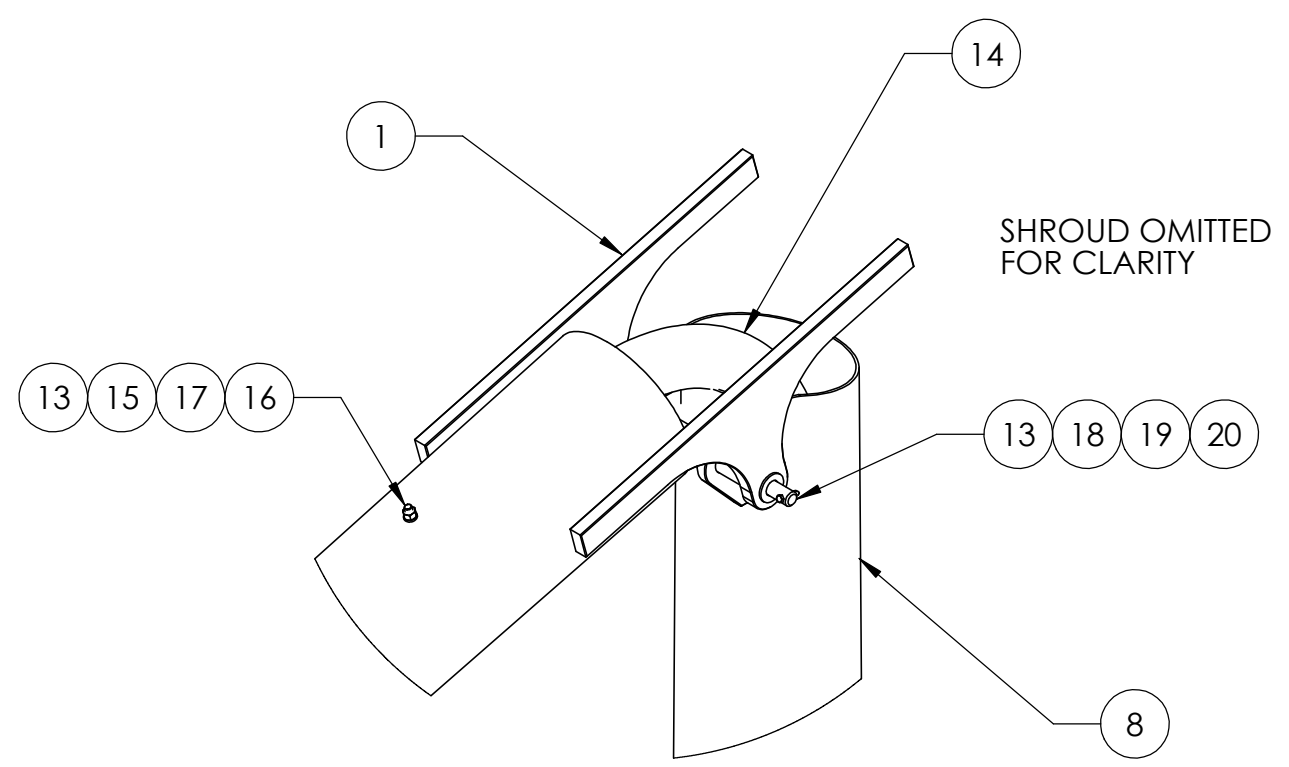
DETAIL B



DETAIL C



DETAIL D



DETAIL E

COMMSCOPE, INC. OF NORTH CAROLINA				
TITLE				
60' HINGE POLE ASSEMBLY 120MPH				
SIZE	SCALE	DOCUMENT NO.		
C	1:12	ST-DBH60		
		DRAWING		SHEET
		VERSION	STATUS	REVISION
				C
				3 OF 5

© 2015 CommScope, Inc. Confidential

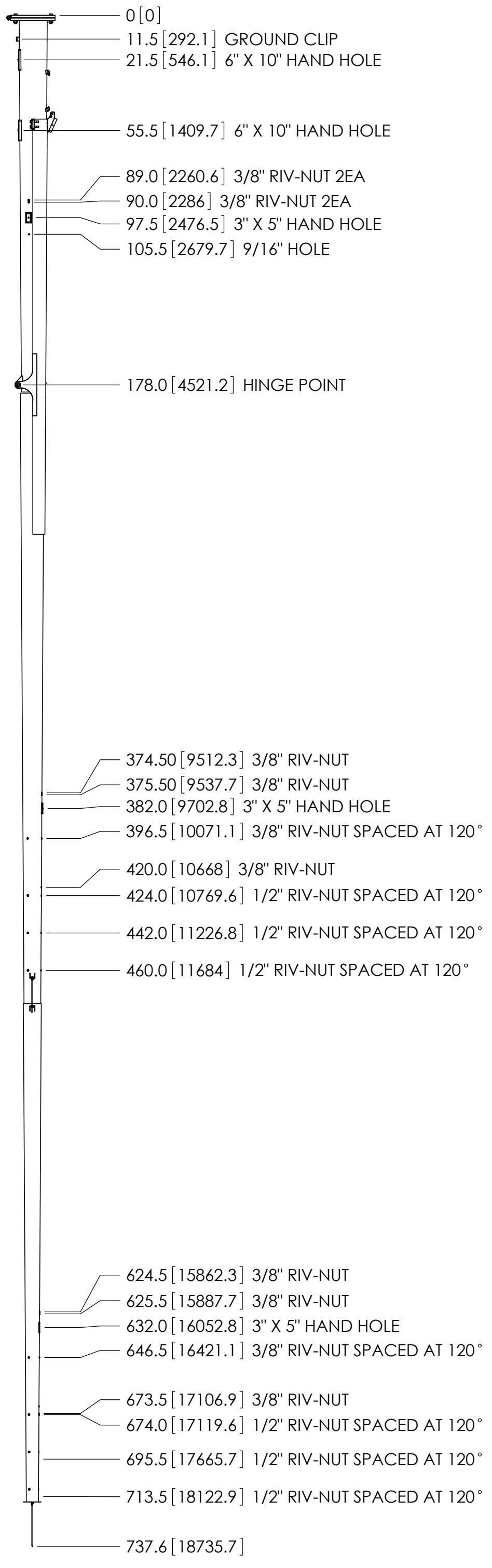
4

3

2

1

NOTES:
1.0 ALL METRIC DIMENSIONS ARE IN BRACKETS.



COMMSCOPE, INC. OF NORTH CAROLINA
 TITLE
60' HINGE POLE ASSEMBLY 120MPH

© 2015 CommScope, Inc. Confidential

SIZE	SCALE	DOCUMENT NO.	DRAWING		SHEET
C	1:48	ST-DBH60	VERSION	STATUS	4 OF 5
				REVISION	
			C		

4

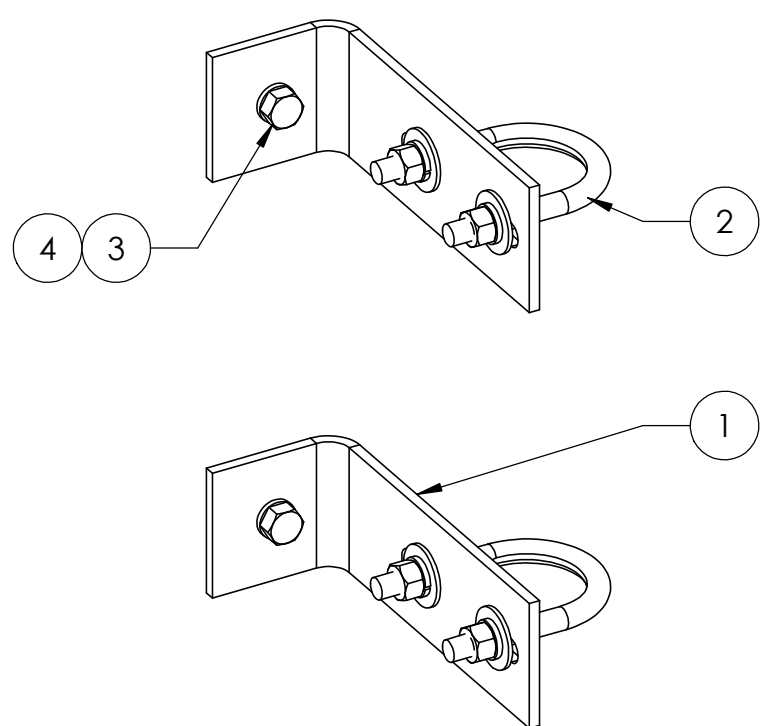
3

2

1

NOTES:

MTC3112 - ANTENNA PIPE MOUNTING ANGLE

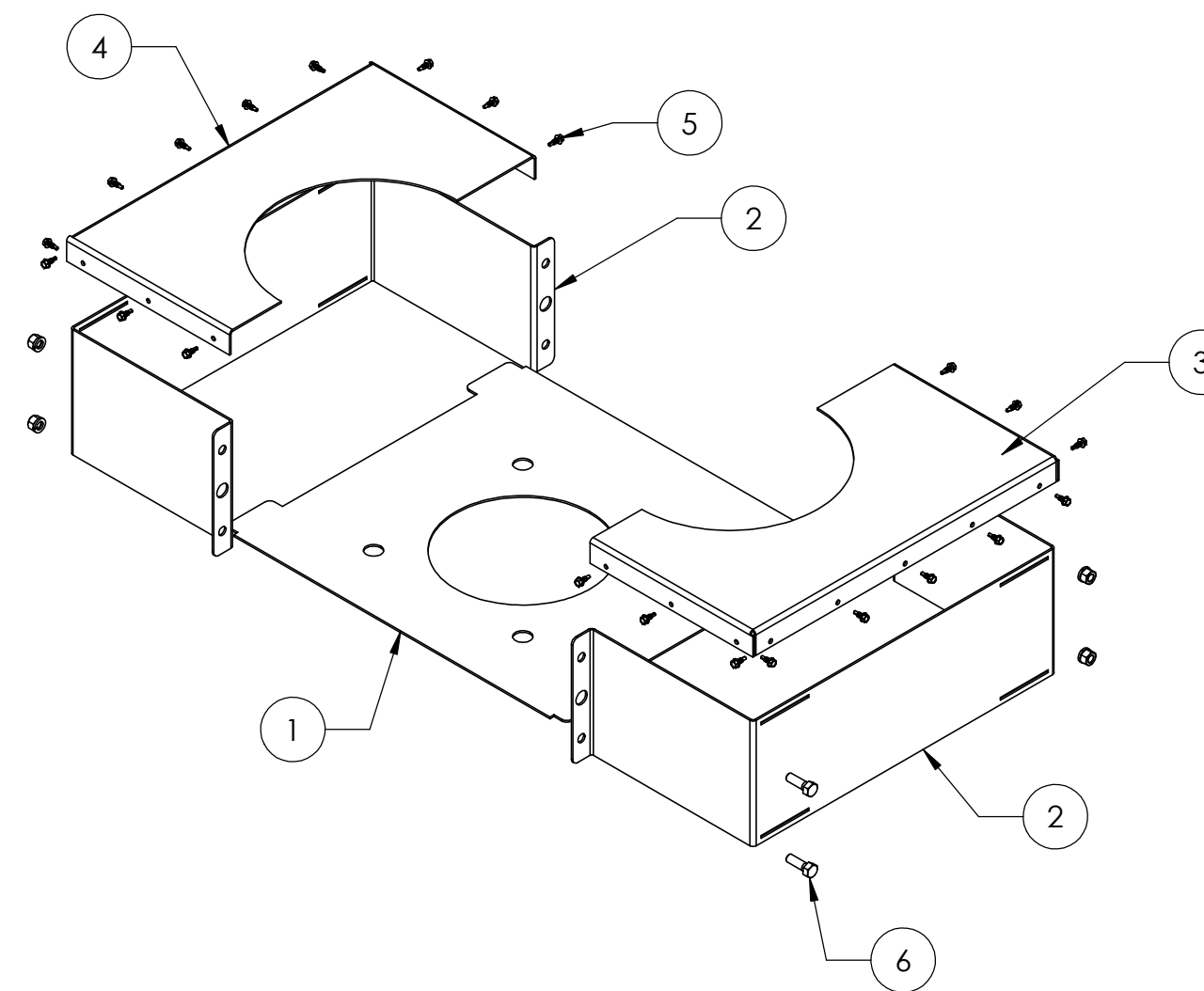


BOM FOR MTC3112

ITEM	PART NO.	DESCRIPTION	QTY.	WEIGHT
1	MTC311201	Angle Bracket	2	2.19 LBS
2	GUB-4240	1/2" X 2-1/2" X 4" GALV U-BOLT	2	0.56 LBS
3	SB-0412	1/2" X 1-1/4" SS BOLT	2	0.02 LBS
4	SWL-04	1/2" SS LOCK WASHER	2	0.01 LBS

OPTIONAL EQUIPMENT PURCHASE SEPARATELY

MTC400420 - SHROUD ASSEMBLY C



BOM FOR MTC317052

ITEM	PART NO.	DESCRIPTION	QTY.	WEIGHT
1	MTC400421	LOWER SHROUD PLATE	1	16.49 LBS
2	MTC400422	BASE SHROUD	2	14.61 LBS
3	MTC400423	UPPER SHROUD PLATE, RH	1	10.12 LBS
4	MTC400424	UPPER SHROUD PLATE, LH	1	10.13 LBS
5	SS02501	SCREW, SELF DRILL HEX HD, 1/4 X 3/4, SS	22	0.02 LBS
6	GB-04145	1/2" X 1-1/2" GALV BOLT KIT	4	0.13 LBS

COMMSCOPE, INC. OF NORTH CAROLINA			
TITLE			
Antenna Pipe Mounting Angle Kit			
SIZE	SCALE	DOCUMENT NO.	
C	1:56	ST-DBH60	
DRAWING			SHEET
VERSION	STATUS	REVISION	5 OF 5
		C	

4

3

2

1