

- 1.0 GENERAL NOTES
 1.1 ALL METRIC DIMENSIONS ARE IN BRACKETS [X.X]
 1.2 FOR PATENT INFO: <https://www.cs-pat.com>

2.0 DESIGN NOTES
 3.0 MANUFACTURING/SPECIAL REQUIREMENTS

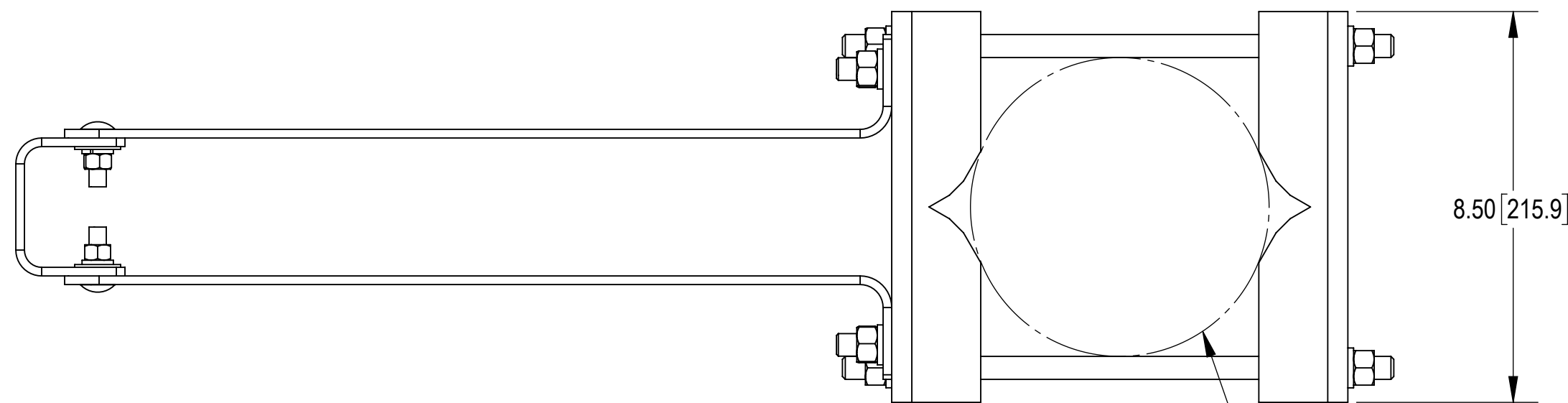
3.1 TIGHTEN ALL BOLTS SECURING FLAT PLATES BY THE TURN-OF-NUT METHOD. TIGHTEN ALL U-BOLTS USING TURN-OF-NUT METHOD WITH ATTENTION TO LEAVE EQUAL DISTANCE AND EQUAL FORCE ON EACH LEG OF THE U-BOLT.

4.0 TEST

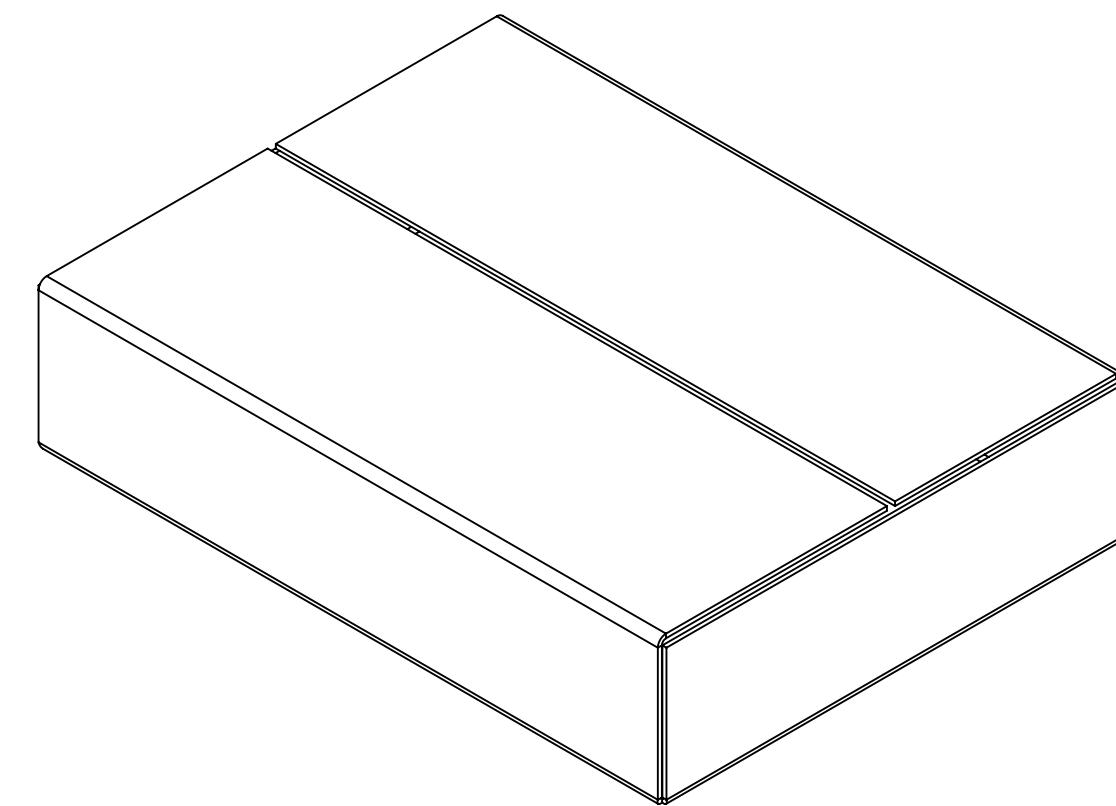
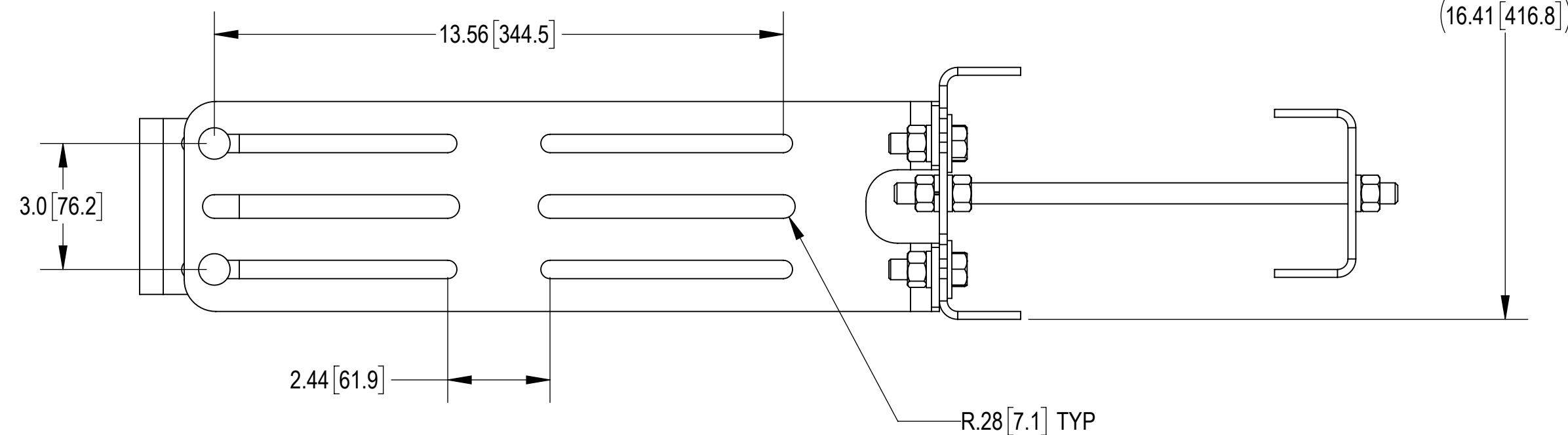
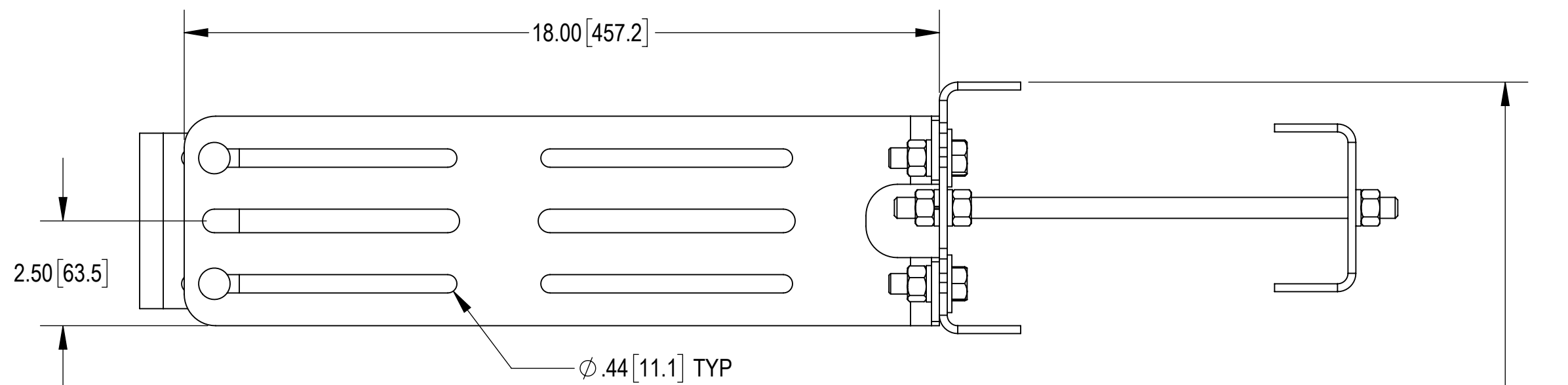
5.0 PACKAGING

- 5.1 PACKAGING SHALL MEET COMMSCOPE REQUIREMENTS PER DOCUMENT IS-PL-3005
 5.2 PRINTED DOCUMENT TO BE PLACED INSIDE POLYBAG AND THEN IN SHIPPING CONTAINER
 5.3 EXTRA HARDWARE MAYBE SUPPLIED, BAGGED AND SHIPPED

REVISIONS			
REV	DESCRIPTION	DATE	APPROVED
A	INITIAL RELEASE	DRR 07JAN16	FA1024 8000011948
B	ADDED RRFA-0001-00, RRFA-0002-00 FOR STABILIZING; UPDATED DWG FORMAT	RJC 01JUL19	FA1024 8000036136
C	REMOVED RRFA-002-00 FROM ASSY	RJC 21NOV19	FA1024 8000037958
D	SHEET5 OF D4 NOTE CHANGED FROM RRFAK-001L TO RRFAK-002L	LL1090 21JUL23	XK1001 40175037CMO



FOR POLES UP TO 5.6" IN DIAMETER
 FOR 90 DEGREE ANGLES UP TO 4.5"
 FOR 60 DEGREE ANGLES UP TO 6.0"

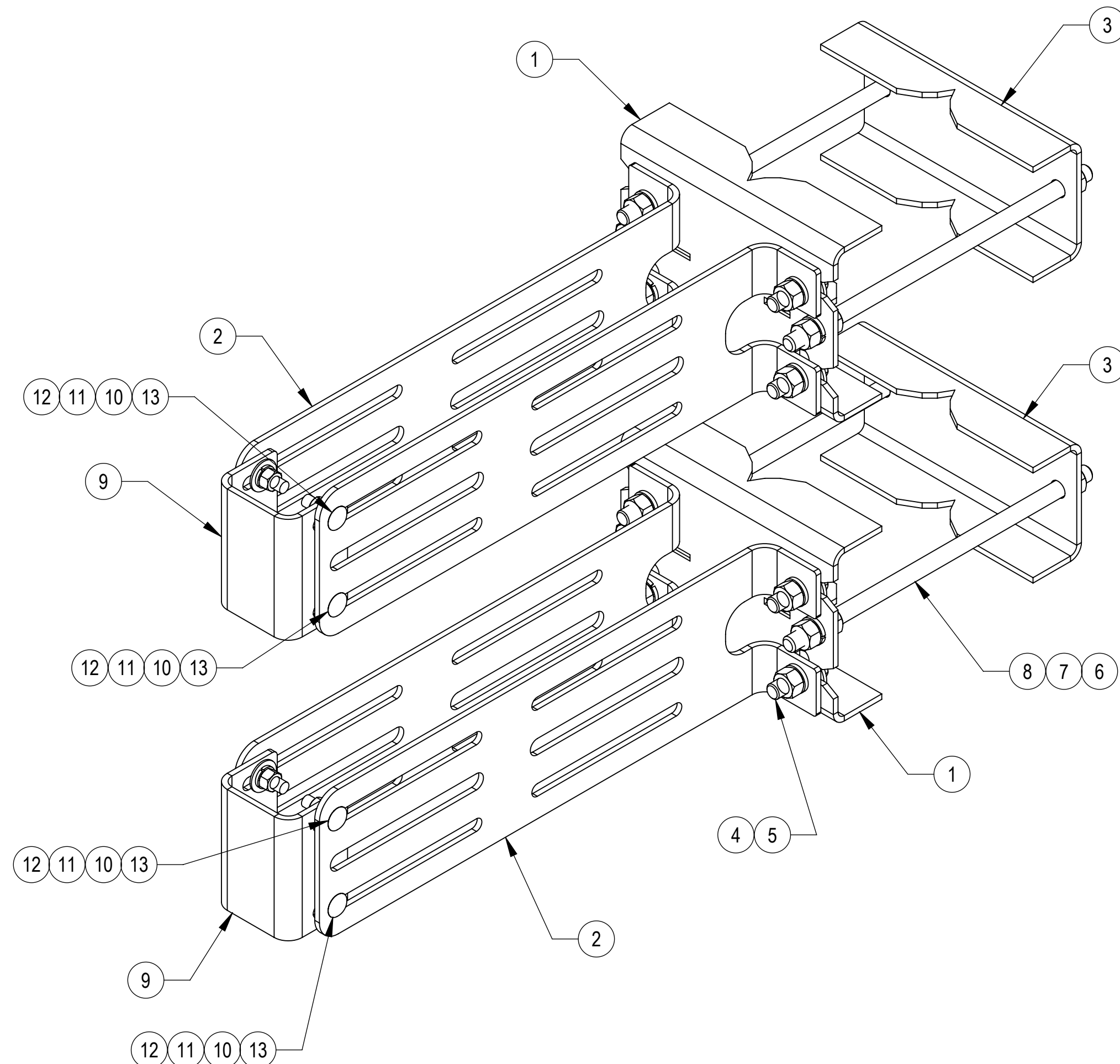


PACKAGE

DENSITY		lbs/in ³
MASS	39.19	lbs
VOLUME	139.08	in ³
SURFACE AREA	1774.06	in ²
HEIGHT	4.0 [101.6]	
LENGTH	18.0 [457.2]	
WIDTH	13.0 [330.2]	


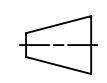
© 2023 CommScope, Inc. Confidential

COMMSCOPE, INC. OF NORTH CAROLINA									
TOLERANCES					SAP MATERIAL MASTER				
0 PLACE .X[X] ± 0.25 [6.3]		2 PLACE .XX[X] ± 0.06 [1.5]			RR-FA2				
1 PLACE .X[X] ± 0.12 [3.0]		ANGLES ± 2°							
FINISH					MATERIAL				
UNLESS OTHERWISE SPECIFIED DIMENSIONS ARE IN INCHES INTERPRET PER ANSI Y 14.5M-1994	CE	RJC	DATE	06/28/19	FAST ACCESS RRU MOUNT				
	RW	YMENG	DATE	08/02/2023					
	AD	XK1001	DATE	08/02/2023					
	RE	LL1090	DATE	08/10/2023					
	ECN	40175037CMO							
SCALE	1:3			DOCUMENT NO. RR-FA2					
SIZE	Auth Group	INSL	MODEL		DRAWING				
C	⊕	◁	VERSION	STATUS	REVISION	VERSION	STATUS	REVISION	SHEET
			03	RE	A	05	RE	D	1 OF 5



COMPONENT PART NUMBERS PROVIDED FOR ASSEMBLY PURPOSES;
 INDIVIDUAL COMPONENTS MAY BE SHIPPED AS PARTS WITHIN AN INCLUDED KIT.

ITEM	PART NO.	DESCRIPTION	QTY.	WEIGHT	NOTE NO.
1	MTC378912	WELDED FRONT BRACKET	2	4.18 LBS	
2	MTC378909	RRU HANGER	4	3.97 LBS	
3	MTC378903	REAR BRACKET	2	3.10 LBS	
4	GWF-04	1/2" GALV FLAT WASHER	8	0.04 LBS	
5	GB-04145	1/2" X 1-1/2" GALV BOLT KIT	8	0.13 LBS	
6	GWL-04	1/2" GALV LOCK WASHER	12	0.01 LBS	
7	GN-04	1/2" GALV HEX NUT	12	0.04 LBS	
8	MT-379	1/2" X 12" GALV THREADED ROD	4	0.66 LBS	
9	RRFA-0001-00	BRACKET, RRU MOUNT SMALL STABILIZER	2	1.46 LBS	
10	GWF-03	3/8" GALV FLAT WASHER	8	0.01 LBS	
11	GWL-03	3/8" GALV LOCK WASHER	8	0.01 LBS	
12	GN-03	3/8" GALV HEX NUT	8	0.02 LBS	
13	MTC8196	3/8 X 1-1/4" CARRIAGE BOLT	8	0.052 LBS	

COMMSCOPE, INC. OF NORTH CAROLINA				
TITLE FAST ACCESS RRU MOUNT				
SIZE C	SCALE 1:3	DOCUMENT NO. RR-FA2		
 		DRAWING		SHEET
		VERSION	STATUS	REVISION
		05	RE	D
				2 OF 5

4

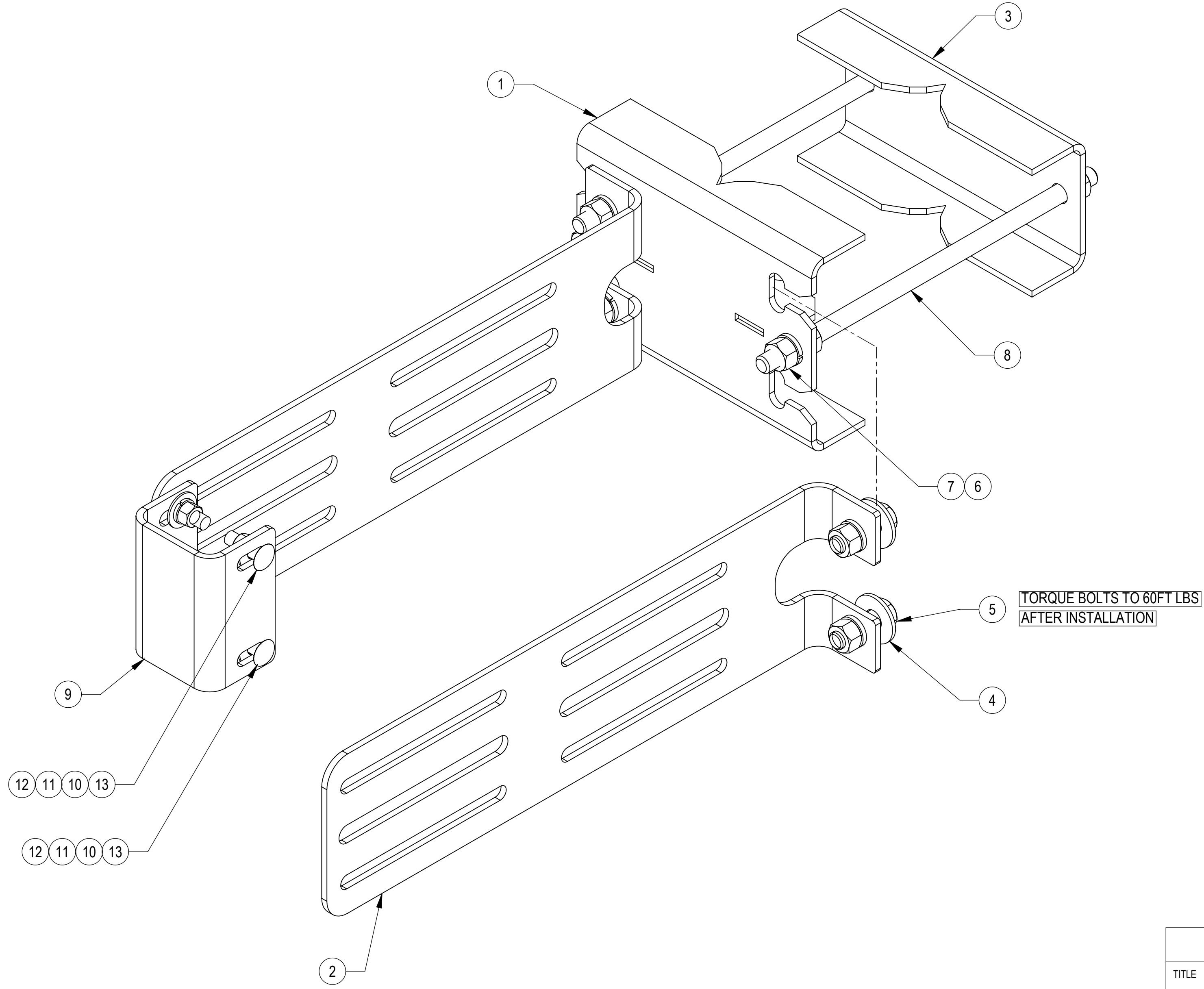
3

2

1

NOTES:

- 1.0 PREASSEMBLE HANGER BRACKETS AND RRUS
- 2.0 WITH ITEMS 4 & 5 LOOSE, SLIDE HANGER INTO POSITION THEN TIGHTEN BOLTS FOR INSTALLATION



TORQUE BOLTS TO 60FT LBS
AFTER INSTALLATION

COMMSCOPE, INC. OF NORTH CAROLINA				
TITLE FAST ACCESS RRU MOUNT				
SIZE C	SCALE 1:2	DOCUMENT NO. RR-FA2		
		DRAWING		SHEET
		VERSION	STATUS	REVISION
		05	RE	D
				3 OF 5

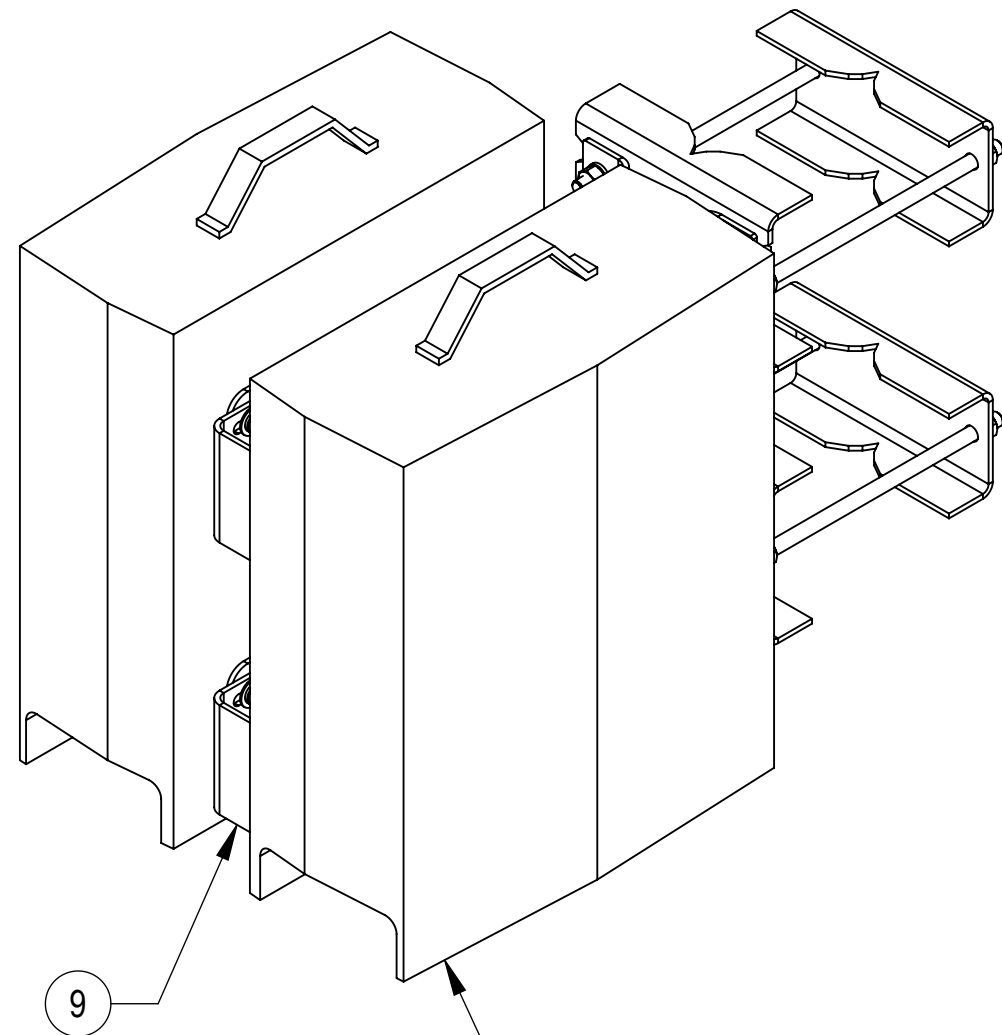
4

3

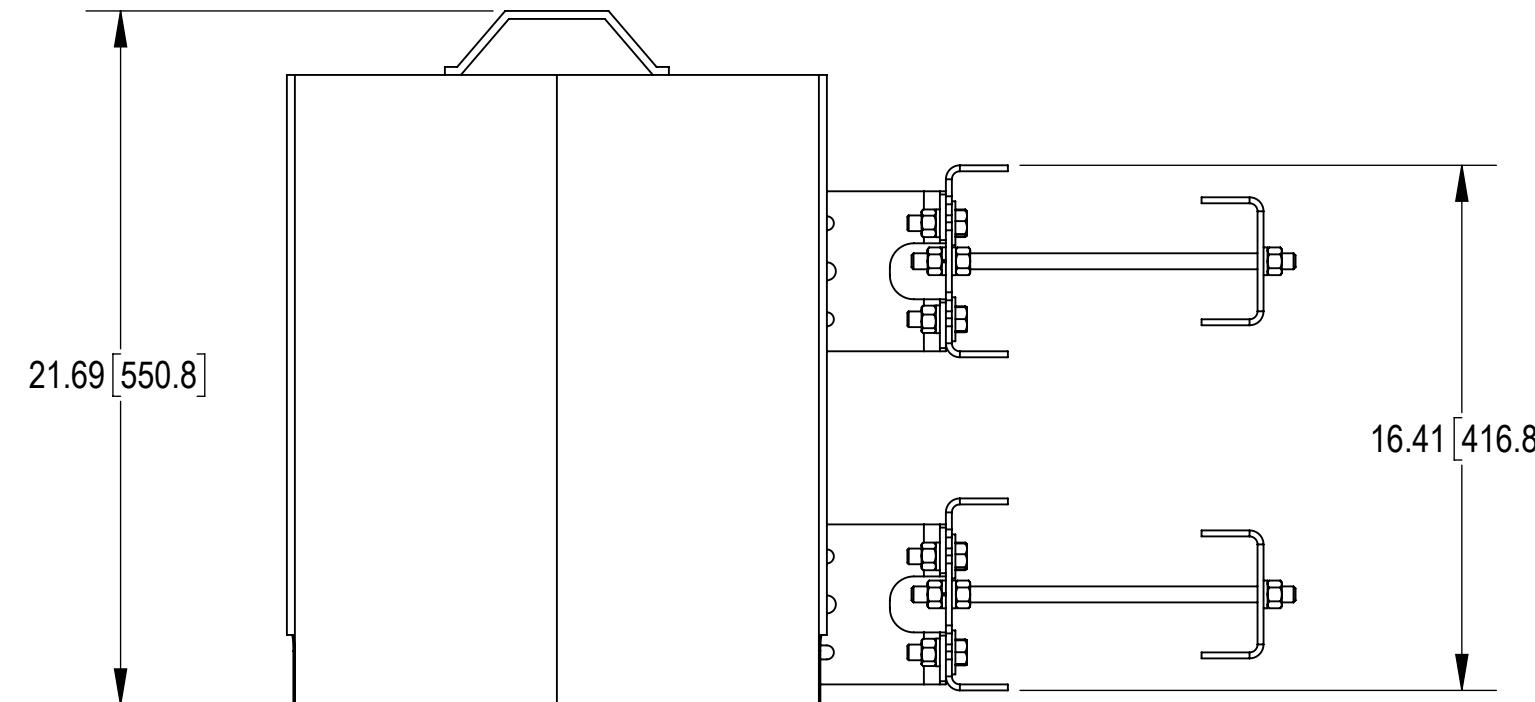
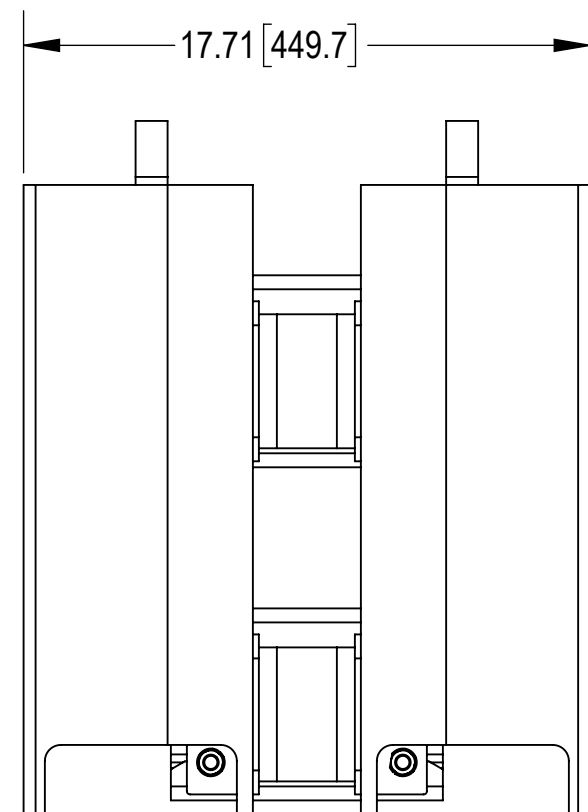
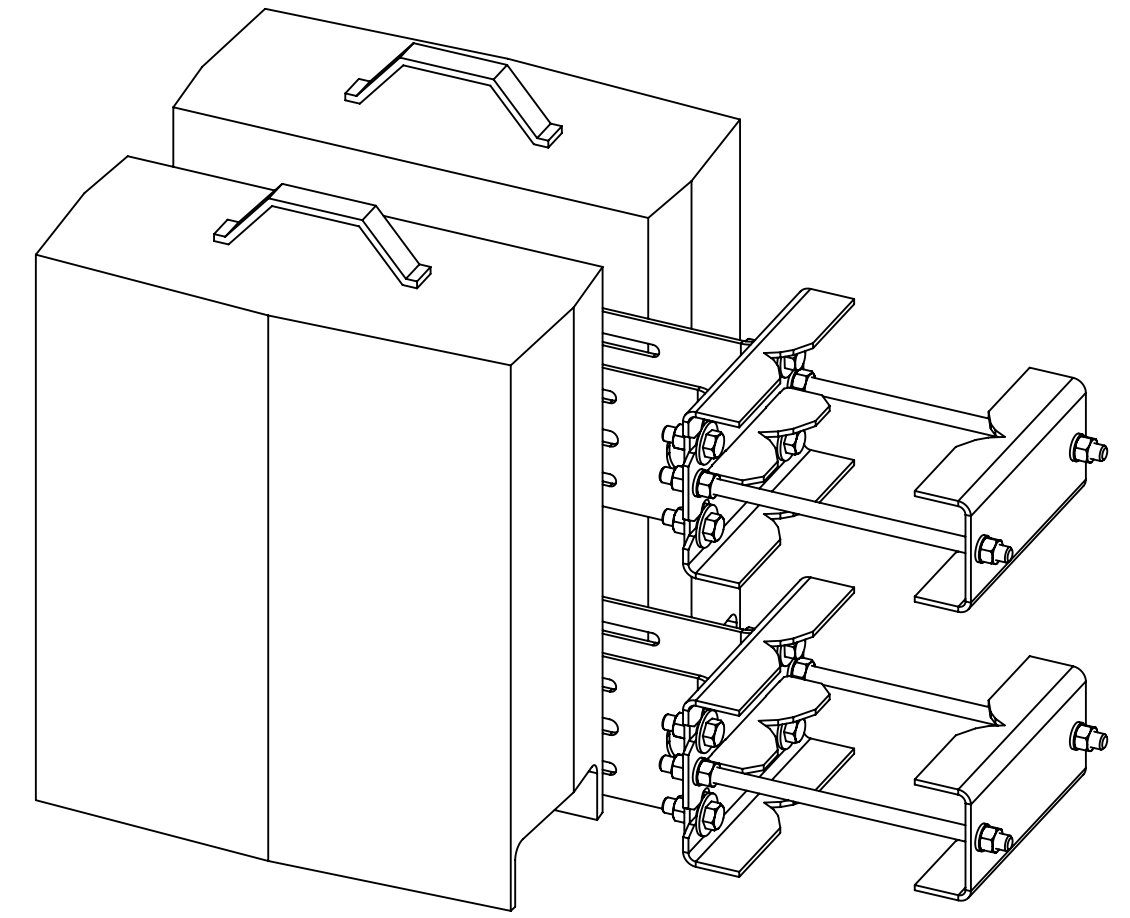
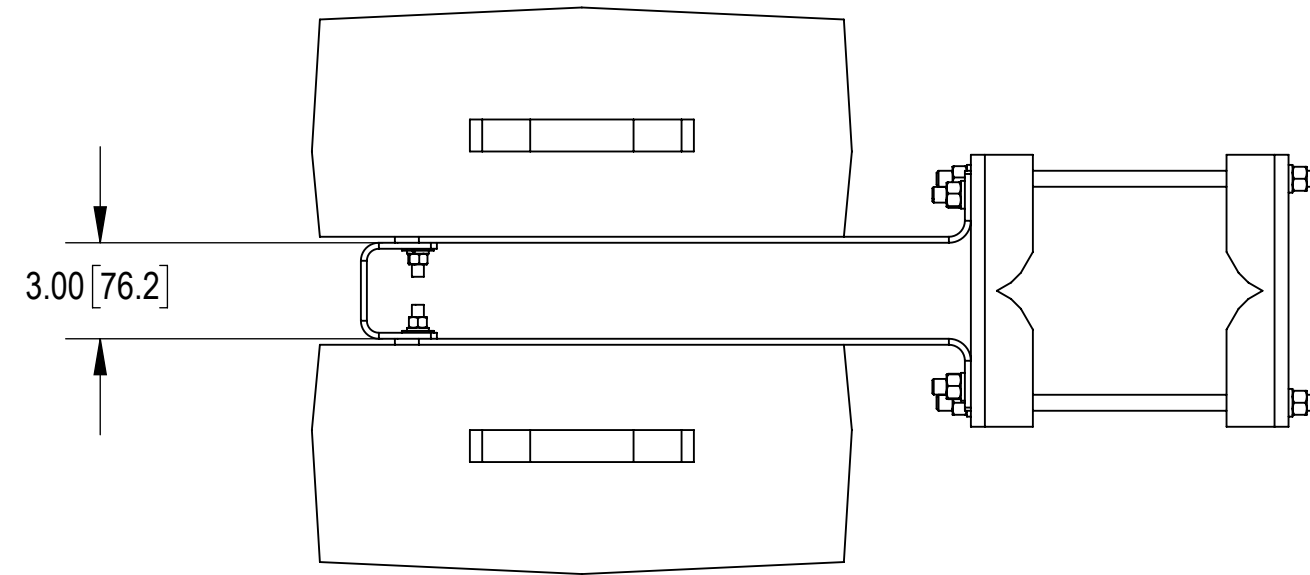
2

1

NOTES:
1.0 EXAMPLE INSTALLATION WITH RRU'S



RRU ORDERED SEPARATELY



COMMSCOPE, INC. OF NORTH CAROLINA				
TITLE FAST ACCESS RRU MOUNT				
SIZE C	SCALE 1:6	DOCUMENT NO. RR-FA2		
		DRAWING		SHEET
		VERSION	STATUS	REVISION
		05	RE	D
				4 OF 5

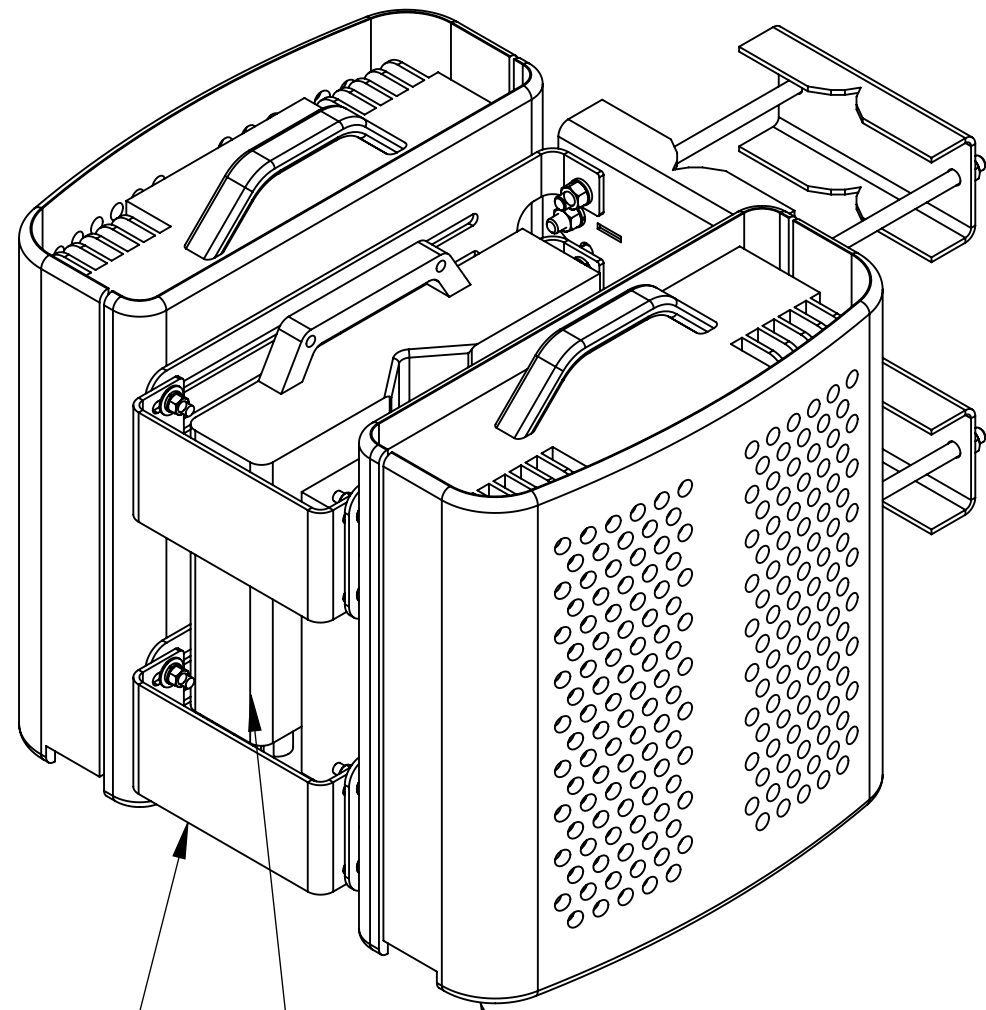
4

3

2

1

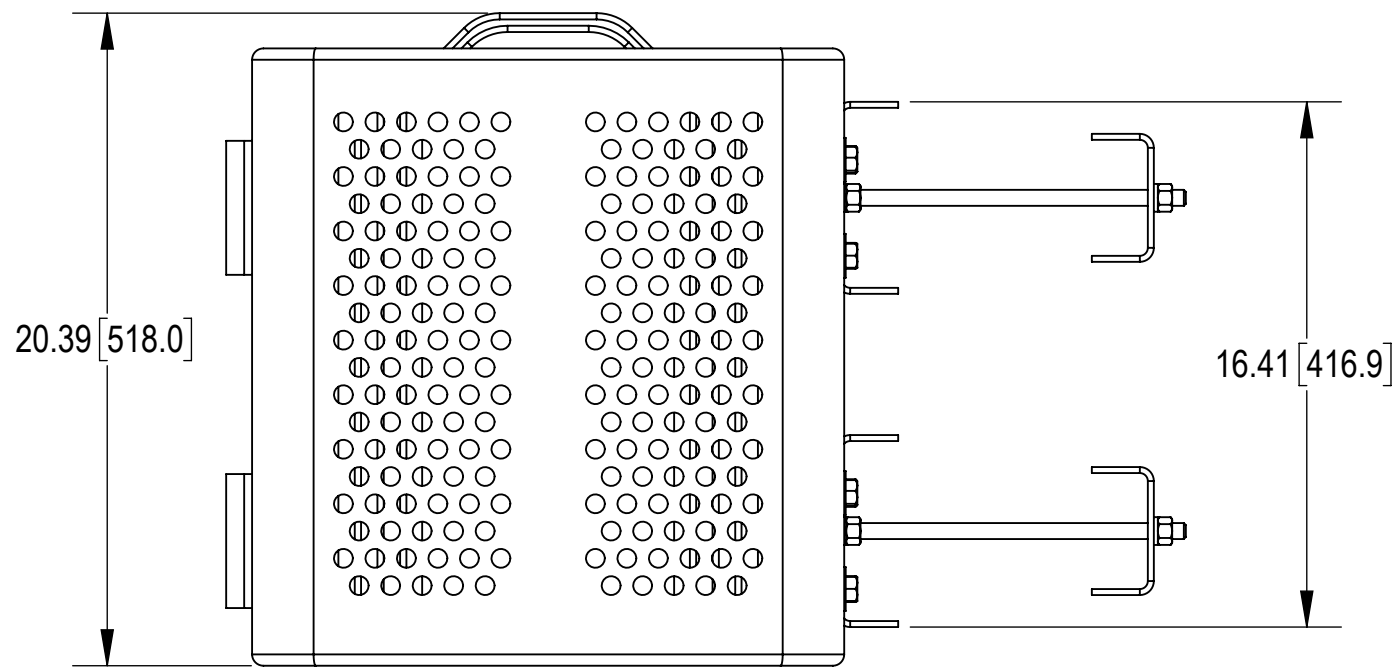
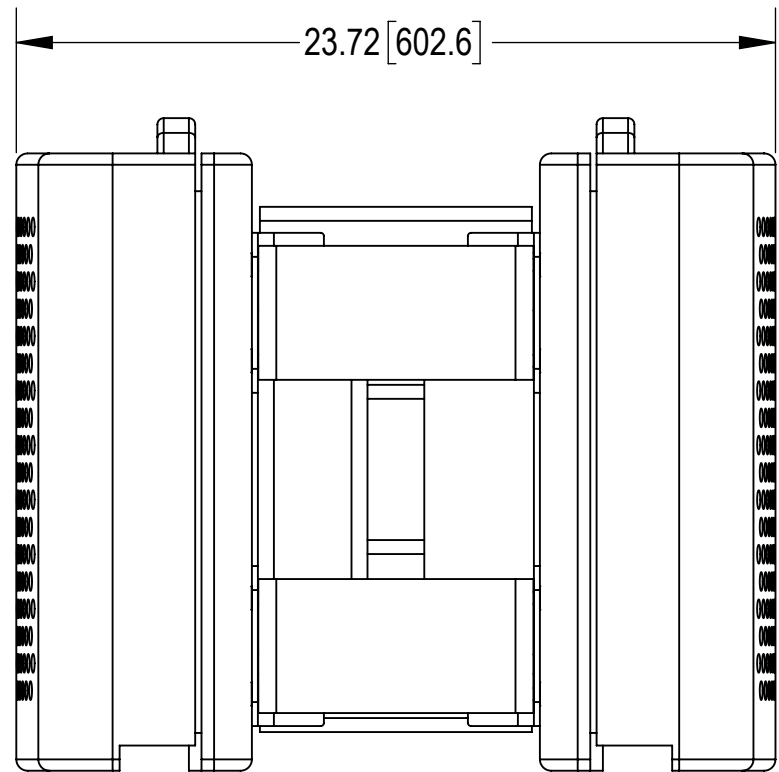
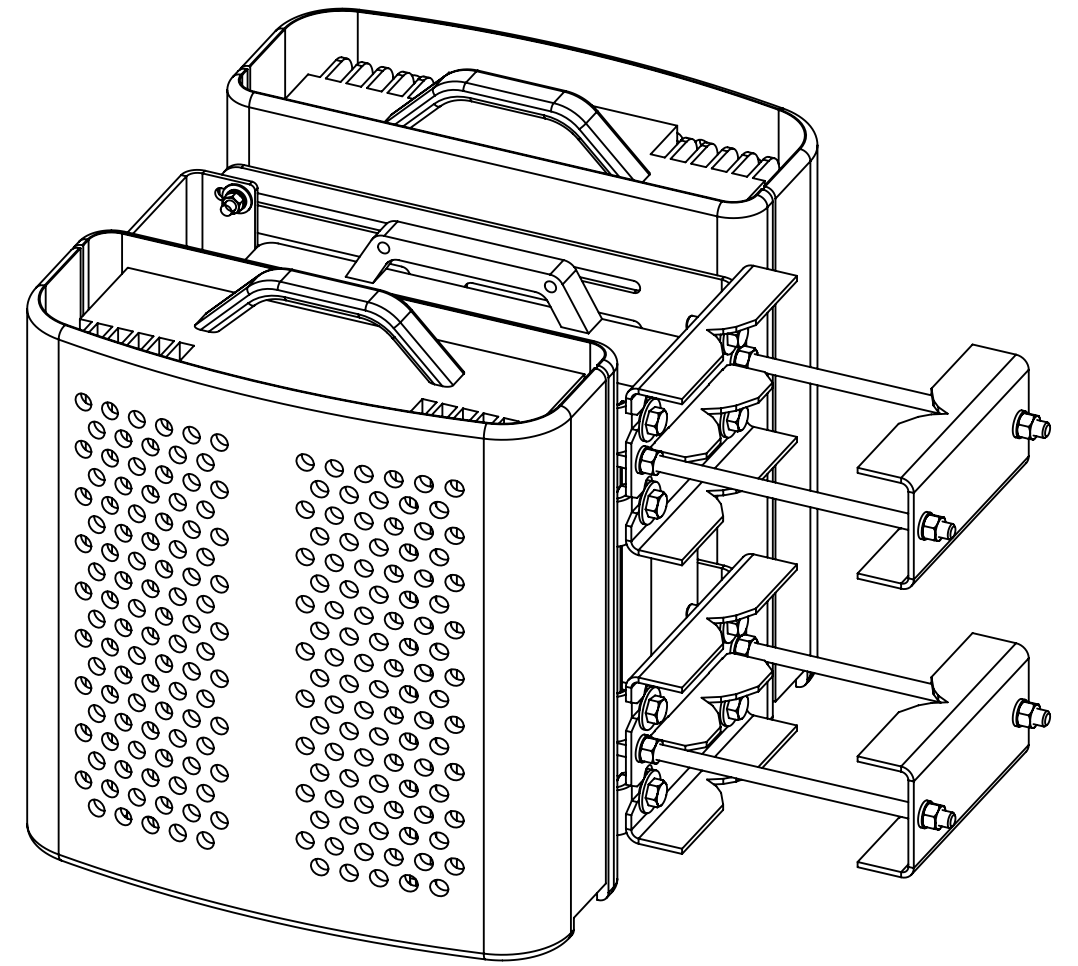
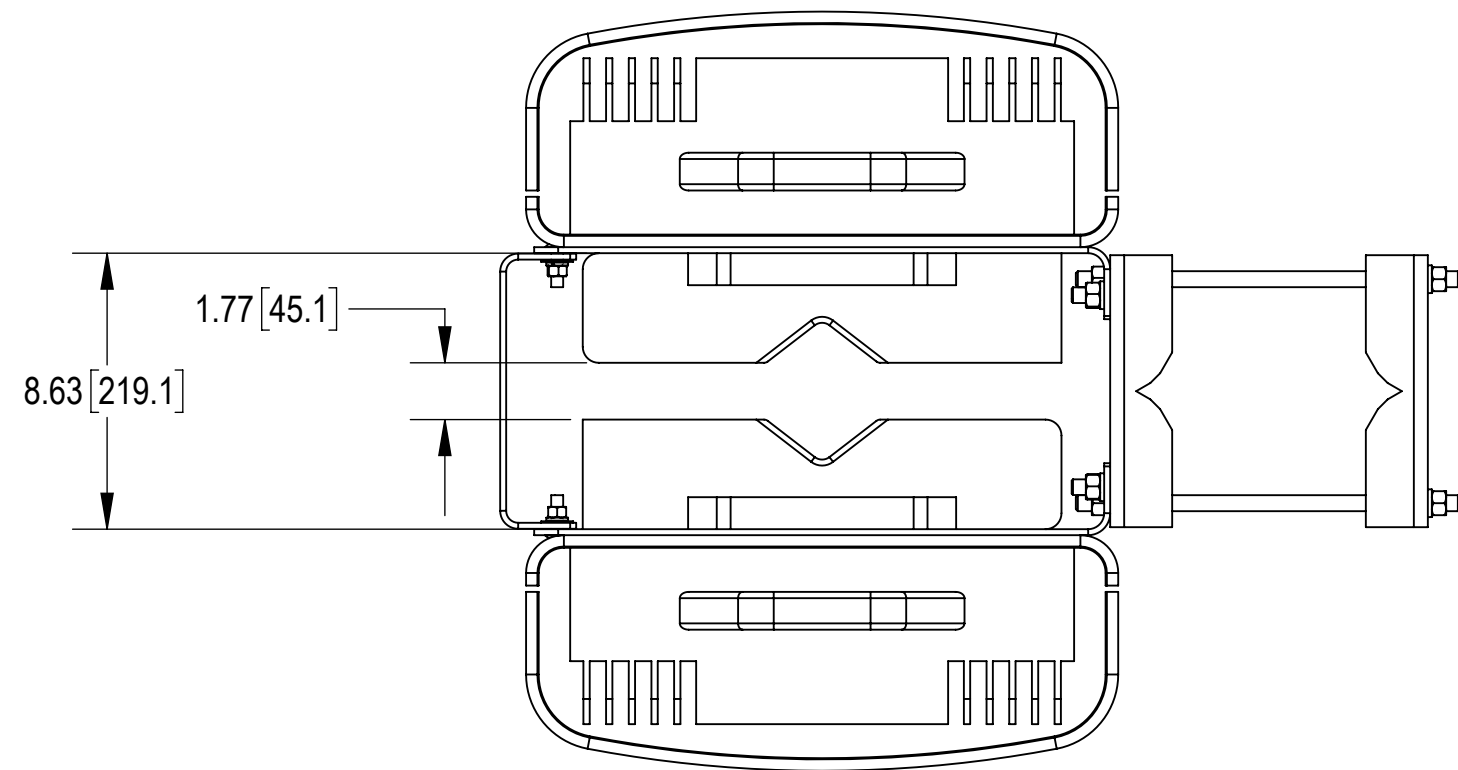
NOTES:
1.0 EXAMPLE INSTALLATION WITH RRU'S AND AS RADIOS



RRU ORDERED SEPARATELY

A2 ORDERED SEPARATELY

LARGE STABILIZER KIT (RRFAK-002L) SOLD SEPARATELY



COMMSCOPE, INC. OF NORTH CAROLINA				
TITLE				
FAST ACCESS RRU MOUNT				
SIZE	SCALE	DOCUMENT NO.		
C	1:6	RR-FA2		
		DRAWING		
		VERSION	STATUS	REVISION
		05	RE	D
				SHEET
				5 OF 5

4

3

2

1