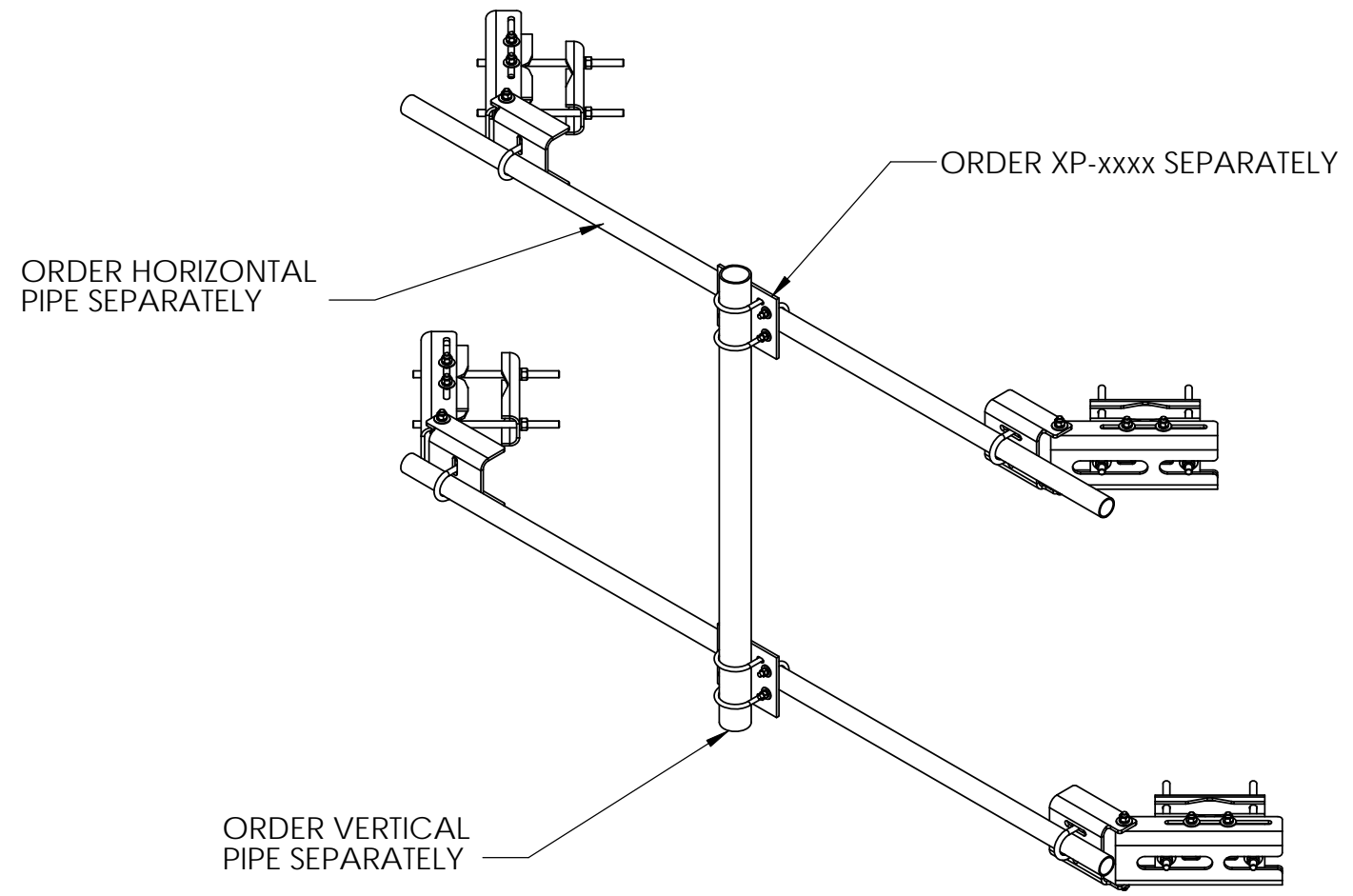
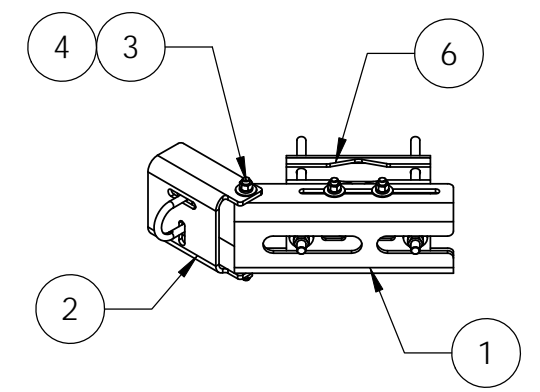
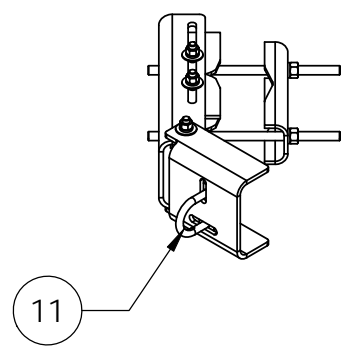
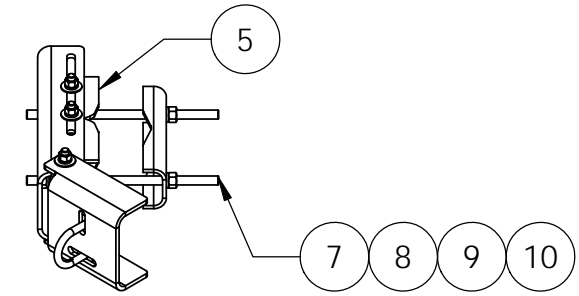


ITEM	PART NO.	DESCRIPTION	QTY.	WEIGHT
1	MTC9872.01	Channel Adapter	4	20.93 LBS
2	MTC9872.02	CHANNEL PIVOT BRACKET	4	12.43 LBS
3	GB-0520A	5/8" X 2" GALV BOLT KIT (A325)	24	0.27 LBS
4	GWf-05	5/8" GALV FLAT WASHER	24	0.06 LBS
5	MTC9872.10	Mount	4	12.58 LBS
6	SMU2080.06	CLAMP PLATE	4	6.43 LBS
7	MT-384-16	3/4" X 16" GALV THREADED ROD	8	1.99 LBS
8	GWf-06	3/4" GALV FLAT WASHER	16	0.10 LBS
9	GWL-06	3/4" GALV LOCK WASHER	16	0.09 LBS
10	GN-06	3/4" GALV HEX NUT	24	0.04 LBS
11	GUB52440	5/8" X 2-1/2" X 4" GALV U-BOLT	4	0.56 LBS

REVISIONS				
REV.	ZONE	DESCRIPTION	BY	DATE
A		INITIAL RELEASE	MSM	06/14/12



RR-FM-B IN USE

NOTES:
1. ALL METRIC DIMENSIONS ARE IN BRACKETS.

<p>These drawings and specifications are the proprietary property of CommScope Inc. and may be used only for the specific purpose authorized in writing by CommScope Inc.</p> <p>ALL DIMENSIONS ARE IN INCHES U.O.S. TOLERANCES UNLESS OTHERWISE SPECIFIED: .X = ± .12 ANGLES ±2° .XX = ± .06 FRACTIONS ±1/32 .XXX = ± .03</p> <p>REMOVE BURRS AND BREAK EDGES .005</p> <p>DO NOT SCALE THIS PRINT</p>	<p>DRAWN BY: MSM</p>	<p>SHEET: 1 of 1</p>	<p>PART NUMBER: RR-FM-B</p>
	<p>CHECKED BY: TP</p>	<p>SCALE: NTS</p>	<p>DESCRIPTION: Universal Face Mount Base Kit</p>
	<p>DATE: 06/14/12</p>	<p>MATERIAL: A36, A53</p>	<p>DRAWING TYPE: ASSEMBLY DRAWING</p>
	<p>REVISION: A</p>	<p>FINISH: GALV A123</p>	<p>COMMSCOPE® Hickory, NC 28602 U.S.A.</p>
	<p>WEIGHT: 246.24 LBS</p>		