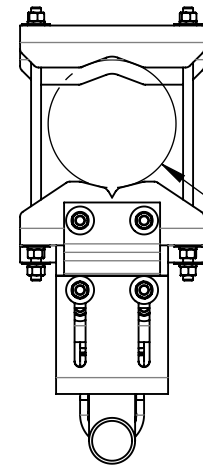


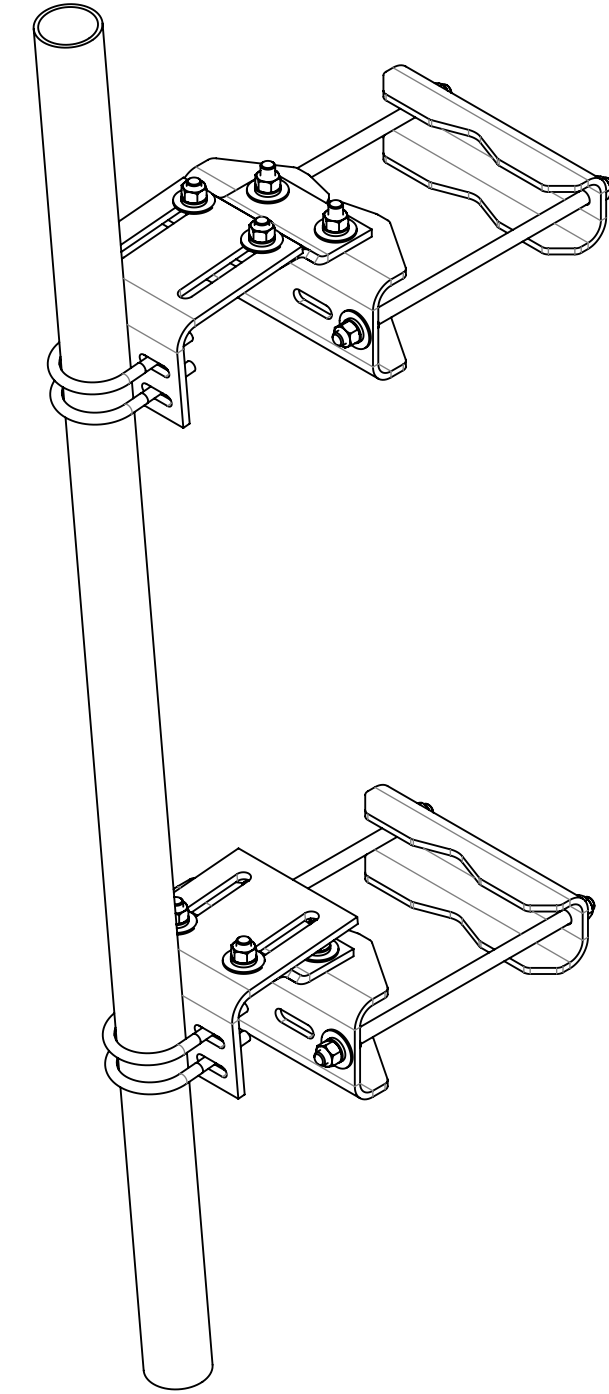
- 1.0 GENERAL NOTES
 - 1.1 ALL METRIC DIMENSIONS ARE IN BRACKETS [X. X]
 - 1.2 FOR PATENT INFO: <https://www.cs-pat.com>
- 2.0 DESIGN NOTES
- 3.0 MANUFACTURING/SPECIAL REQUIREMENTS
 - 3.1 TIGHTEN ALL BOLTS SECURING FLAT PLATES BY THE TURN-OF-NUT METHOD. TIGHTEN ALL U-BOLTS USING TURN-OF-NUT METHOD WITH ATTENTION TO LEAVE EQUAL DISTANCE AND EQUAL FORCE ON EACH LEG OF THE U-BOLT.
- 4.0 TEST
- 5.0 PACKAGING
 - 5.1 PACKAGING SHALL MEET COMMSCOPE REQUIREMENTS PER DOCUMENT IS-PL-3005
 - 5.2 PRINTED DOCUMENT TO BE PLACED INSIDE POLYBAG AND THEN IN SHIPPING CONTAINER
 - 5.3 EXTRA HARDWARE MAY BE SUPPLIED, BAGGED AND SHIPPED

REVISIONS			
REV.	DESCRIPTION	DATE	APPROVED
A	INITIAL RELEASE	HC 05NOV13	TP
B	MTC397522 WAS SMU208004; MTC397521 WAS SMU208006; HARDWARE UPDATED	YX1027 29APR24	BCROSS 40194456CMO

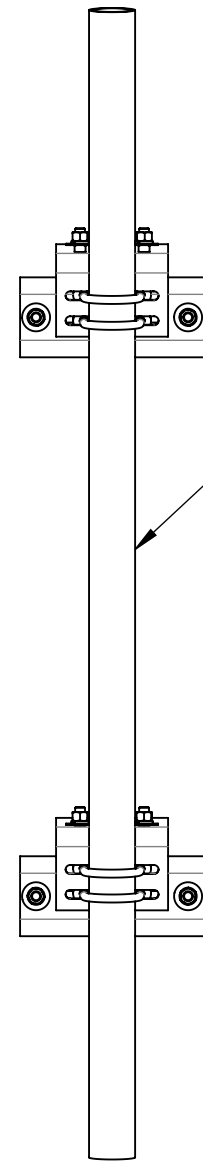
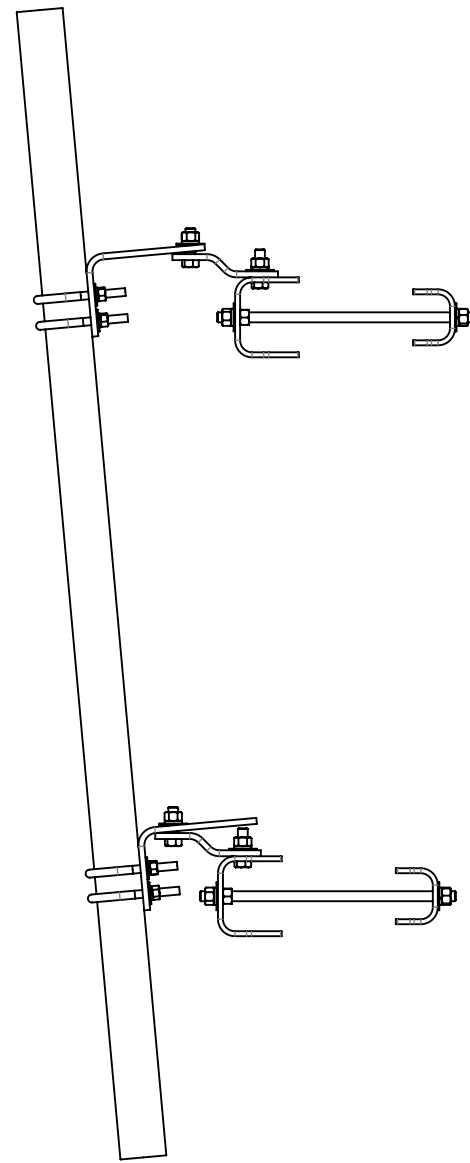
PART NUMBER	PLAIN END PIPE	WEIGHT
PM-SU3-B	N/A	72.1 LBS
PM-SU3-48	MT-546-48	94.87 LBS
PM-SU3-72	MT54672	104.67 LBS
PM-SU3-84	MT54684	111.96 LBS
PM-SU3-96	MT54696	117.65 LBS



FOR POLES UP TO 8" OD
FOR 90° ANGLES UP TO 6"
FOR 60° ANGLES UP TO 8"



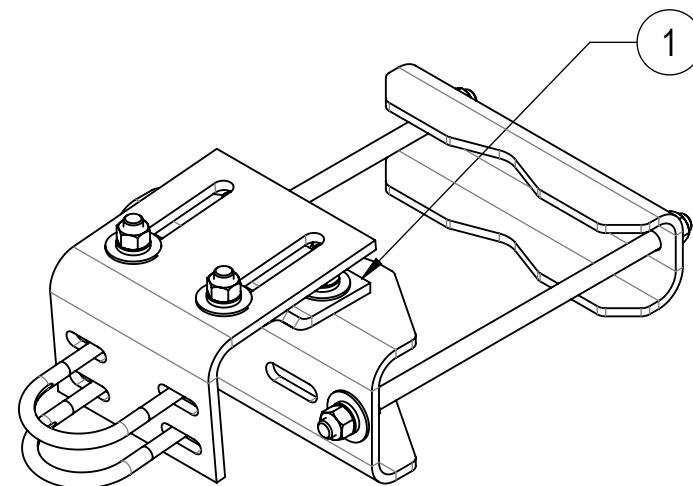
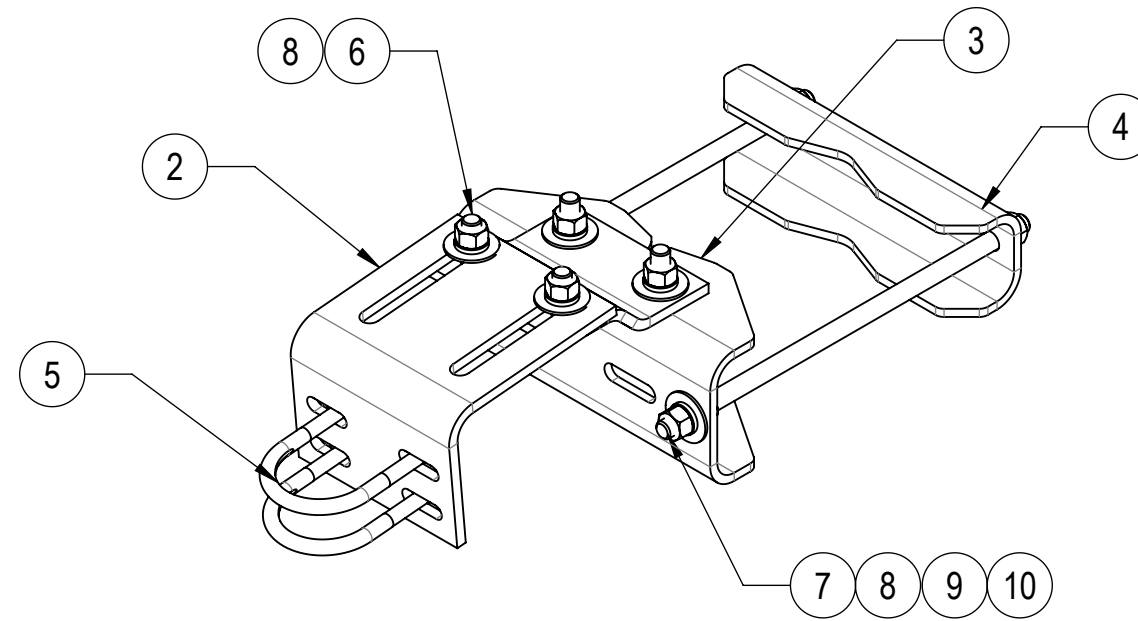
PM-SU3-72 SHOWN FOR REFERENCE
(SEE TABLE 1 FOR ALL CONFIGURATIONS)



PIPE: Ø 2.875" OD
(SEE TABLE 1)


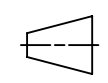
COMMSCOPE, INC. OF NORTH CAROLINA										
TOLERANCES					SAP MATERIAL MASTER					
1 PLACE .X[X] ± 0.12[3.0]			3 PLACE .XXX[X] ± 0.03[0.8]		SEE TABLE 1					
2 PLACE .XX[X] ± 0.06[1.5]			ANGLES ± 2°							
FINISH					MATERIAL					
PIPE MOUNT UNIVERSAL 2-7/8" OD PIPE										
UNLESS OTHERWISE SPECIFIED DIMENSIONS ARE IN INCHES INTERPRET PER ANSI Y 14.5M-1994		NAME	DATE	TITLE						
CE	MSM	29MAY12								
RW	YX1027	05/28/2024								
AD	YMENG	05/31/2024								
RE	YMENG	08/20/2024								
ECN 40194456CMO			SCALE	DOCUMENT NO.						
			1:16	PM-SU3 SERIES						
DENSITY	lbs/in³									
MASS	lbs									
VOLUME	in³									
SURFACE AREA	in²									
HEIGHT		SIZE	Auth Group	INSL	MODEL			DRAWING		
LENGTH		C			VERSION	STATUS	REVISION	VERSION	STATUS	REVISION
WIDTH					00	RE	A	00	RE	B
SHEET 1 OF 6										

COMPONENTS FOR INSTALLATION
PM-SU3-B SHOWN ON THIS PAGE

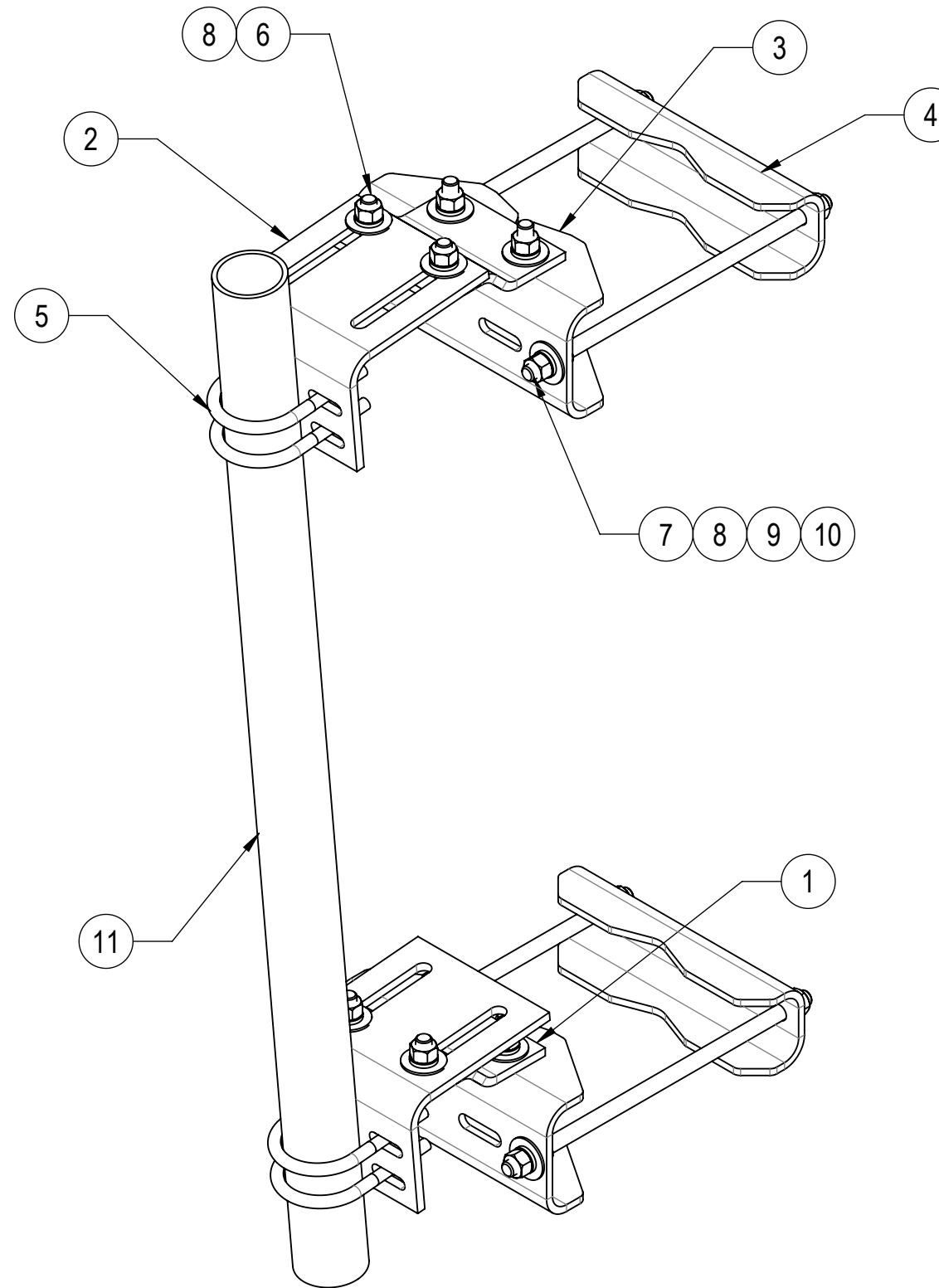


COMPONENT PART NUMBERS PROVIDED FOR ASSEMBLY PURPOSES;
INDIVIDUAL COMPONENTS MAY BE SHIPPED AS PARTS WITHIN AN INCLUDED KIT.

ITEM NO.	PART NUMBER	DESCRIPTION	QTY.	WEIGHT	NOTE NO.
1	PMSL01	S-BRACKET	2	4.30 LBS	
2	PMSL02	L-BRACKET	2	7.70 LBS	
3	MTC397522	CLAMP, FRONT MOUNTING	2	10.02 LBS	
4	MTC397521	CLAMP, BACK	2	6.94 LBS	
5	GUB-4352	1/2" X 3" X 5-1/4" GALV U-BOLT	4	0.71 LBS	
6	GB-05205	5/8" X 2" GALV BOLT KIT	8	0.26 LBS	
7	MT-382-16	5/8" X 16" GALV THREADED ROD	4	1.38 LBS	
8	GWF-05	5/8" GALV FLAT WASHER, 1.7OD	16	0.06 LBS	
9	GWL-05	5/8" GALV LOCK WASHER	8	0.03 LBS	
10	GN-05	5/8" GALV HEX NUT	12	0.08 LBS	

COMMSCOPE, INC. OF NORTH CAROLINA					
TITLE PIPE MOUNT UNIVERSAL 2-7/8" OD PIPE					
SIZE C	SCALE 1:12	DOCUMENT NO. PM-SU3 SERIES			
 		DRAWING			SHEET 2 OF 6
		VERSION 00	STATUS RE	REVISION B	

COMPONENTS FOR INSTALLATION
PM-SU3-48 SHOWN ON THIS PAGE

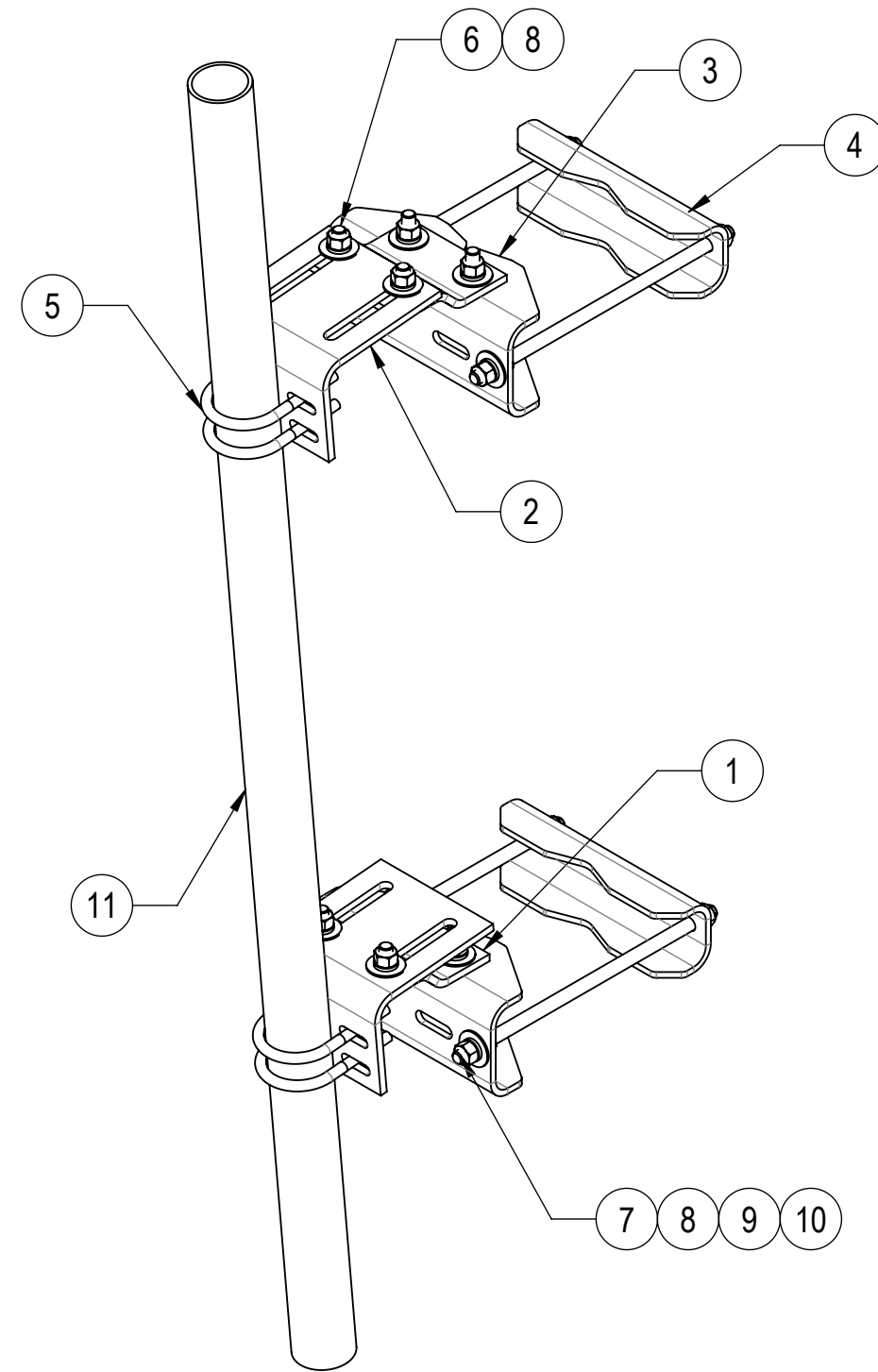


COMPONENT PART NUMBERS PROVIDED FOR ASSEMBLY PURPOSES;
INDIVIDUAL COMPONENTS MAY BE SHIPPED AS PARTS WITHIN AN INCLUDED KIT.

ITEM NO.	PART NUMBER	DESCRIPTION	QTY.	WEIGHT	NOTE NO.
1	PMSL01	S-BRACKET	2	4.30 LBS	
2	PMSL02	L-BRACKET	2	7.70 LBS	
3	MTC397522	CLAMP, FRONT MOUNTING	2	10.02 LBS	
4	MTC397521	CLAMP, BACK	2	6.94 LBS	
5	GUB-4352	1/2" X 3" X 5-1/4" GALV U-BOLT	4	0.71 LBS	
6	GB-05205	5/8" X 2" GALV BOLT KIT	8	0.26 LBS	
7	MT-382-16	5/8" X 16" GALV THREADED ROD	4	1.38 LBS	
8	GWF-05	5/8" GALV FLAT WASHER, 1.7OD	16	0.06 LBS	
9	GWL-05	5/8" GALV LOCK WASHER	8	0.03 LBS	
10	GN-05	5/8" GALV HEX NUT	12	0.08 LBS	
11	MT-546-48	2.875" O.D. X 48" PIPE	1	22.98 LBS	


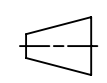
COMMSCOPE, INC. OF NORTH CAROLINA				
TITLE PIPE MOUNT UNIVERSAL 2-7/8" OD PIPE				
SIZE C	SCALE 1:12	DOCUMENT NO. PM-SU3 SERIES		
		DRAWING		SHEET 3 OF 6
		VERSION 00	STATUS RE	

COMPONENTS FOR INSTALLATION
PM-SU3-72 SHOWN ON THIS PAGE

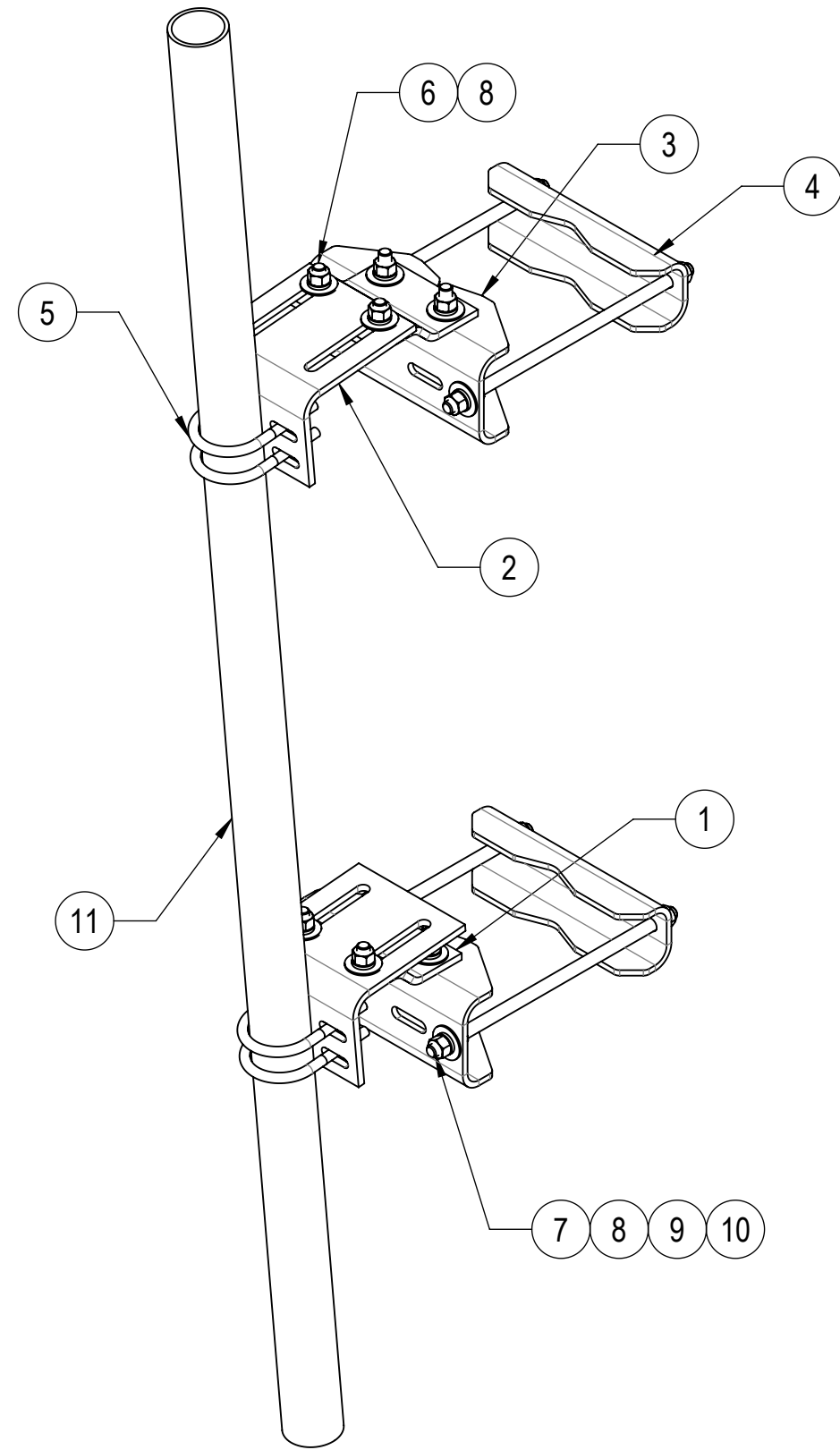


COMPONENT PART NUMBERS PROVIDED FOR ASSEMBLY PURPOSES;
INDIVIDUAL COMPONENTS MAY BE SHIPPED AS PARTS WITHIN AN INCLUDED KIT.

ITEM NO.	PART NUMBER	DESCRIPTION	QTY.	WEIGHT	NOTE NO.
1	PMSL01	S-BRACKET	2	4.30 LBS	
2	PMSL02	L-BRACKET	2	7.70 LBS	
3	MTC397522	CLAMP, FRONT MOUNTING	2	10.02 LBS	
4	MTC397521	CLAMP, BACK	2	6.94 LBS	
5	GUB-4352	1/2" X 3" X 5-1/4" GALV U-BOLT	4	0.71 LBS	
6	GB-05205	5/8" X 2" GALV BOLT KIT	8	0.26 LBS	
7	MT-382-16	5/8" X 16" GALV THREADED ROD	4	1.38 LBS	
8	GWF-05	5/8" GALV FLAT WASHER, 1.7OD	16	0.06 LBS	
9	GWL-05	5/8" GALV LOCK WASHER	8	0.03 LBS	
10	GN-05	5/8" GALV HEX NUT	12	0.08 LBS	
11	MT54672	2.875" O.D. X 72" PIPE	1	32.87 LBS	


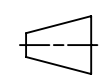
COMMSCOPE, INC. OF NORTH CAROLINA				
TITLE PIPE MOUNT UNIVERSAL 2-7/8" OD PIPE				
SIZE C	SCALE 1:12	DOCUMENT NO. PM-SU3 SERIES		
 		DRAWING		SHEET
		VERSION 00	STATUS RE	REVISION B

COMPONENTS FOR INSTALLATION
PM-SU3-84 SHOWN ON THIS PAGE

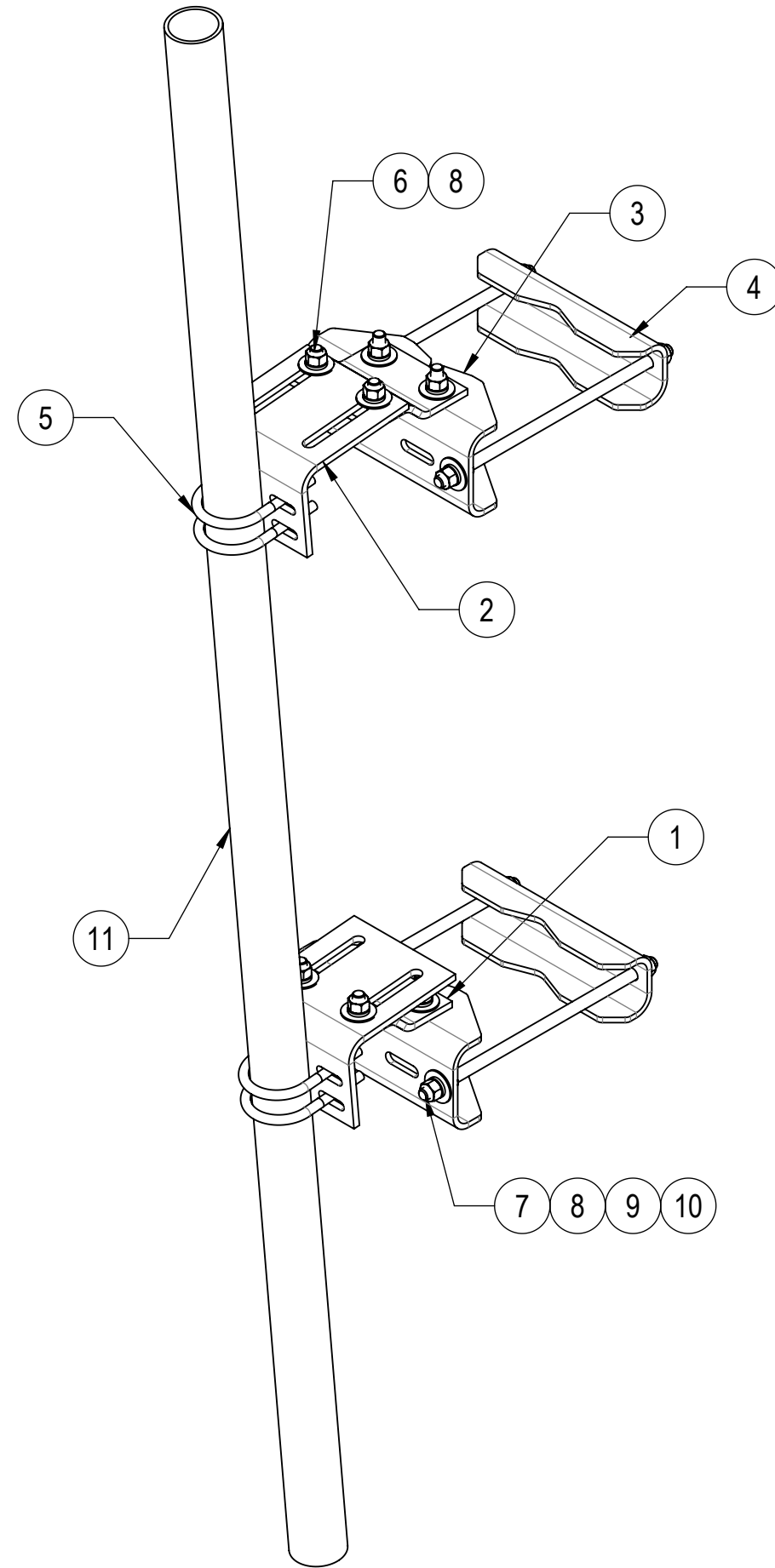


COMPONENT PART NUMBERS PROVIDED FOR ASSEMBLY PURPOSES;
INDIVIDUAL COMPONENTS MAY BE SHIPPED AS PARTS WITHIN AN INCLUDED KIT.

ITEM NO.	PART NUMBER	DESCRIPTION	QTY.	WEIGHT	NOTE NO.
1	PMSL01	S-BRACKET	2	4.30 LBS	
2	PMSL02	L-BRACKET	2	7.70 LBS	
3	MTC397522	CLAMP, FRONT MOUNTING	2	10.02 LBS	
4	MTC397521	CLAMP, BACK	2	6.94 LBS	
5	GUB-4352	1/2" X 3" X 5-1/4" GALV U-BOLT	4	0.71 LBS	
6	GB-05205	5/8" X 2" GALV BOLT KIT	8	0.26 LBS	
7	MT-382-16	5/8" X 16" GALV THREADED ROD	4	1.38 LBS	
8	GWF-05	5/8" GALV FLAT WASHER, 1.70D	16	0.06 LBS	
9	GWL-05	5/8" GALV LOCK WASHER	8	0.03 LBS	
10	GN-05	5/8" GALV HEX NUT	12	0.08 LBS	
11	MT54684	2.875" OD x 84" Pipe	1	40.22 LBS	


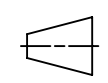
COMMSCOPE, INC. OF NORTH CAROLINA				
TITLE PIPE MOUNT UNIVERSAL 2-7/8" OD PIPE				
SIZE C	SCALE 1:12	DOCUMENT NO. PM-SU3 SERIES		
 		DRAWING		SHEET
		VERSION 00	STATUS RE	REVISION B

COMPONENTS FOR INSTALLATION
PM-SU3-96 SHOWN ON THIS PAGE



COMPONENT PART NUMBERS PROVIDED FOR ASSEMBLY PURPOSES;
INDIVIDUAL COMPONENTS MAY BE SHIPPED AS PARTS WITHIN AN INCLUDED KIT.

ITEM NO.	PART NUMBER	DESCRIPTION	QTY.	WEIGHT	NOTE NO.
1	PMSL01	S-BRACKET	2	4.30 LBS	
2	PMSL02	L-BRACKET	2	7.70 LBS	
3	MTC397522	CLAMP, FRONT MOUNTING	2	10.02 LBS	
4	MTC397521	CLAMP, BACK	2	6.94 LBS	
5	GUB-4352	1/2" X 3" X 5-1/4" GALV U-BOLT	4	0.71 LBS	
6	GB-05205	5/8" X 2" GALV BOLT KIT	8	0.26 LBS	
7	MT-382-16	5/8" X 16" GALV THREADED ROD	4	1.38 LBS	
8	GWF-05	5/8" GALV FLAT WASHER, 1.7OD	16	0.06 LBS	
9	GWL-05	5/8" GALV LOCK WASHER	8	0.03 LBS	
10	GN-05	5/8" GALV HEX NUT	12	0.08 LBS	
11	MT54696	PIPE, 2.875"OD X 96"	1	45.96 LBS	

COMMSCOPE, INC. OF NORTH CAROLINA					
TITLE PIPE MOUNT UNIVERSAL 2-7/8" OD PIPE					
SIZE C	SCALE 1:16	DOCUMENT NO. PM-SU3 SERIES			
 		DRAWING			SHEET 6 OF 6
		VERSION 00	STATUS RE	REVISION B	