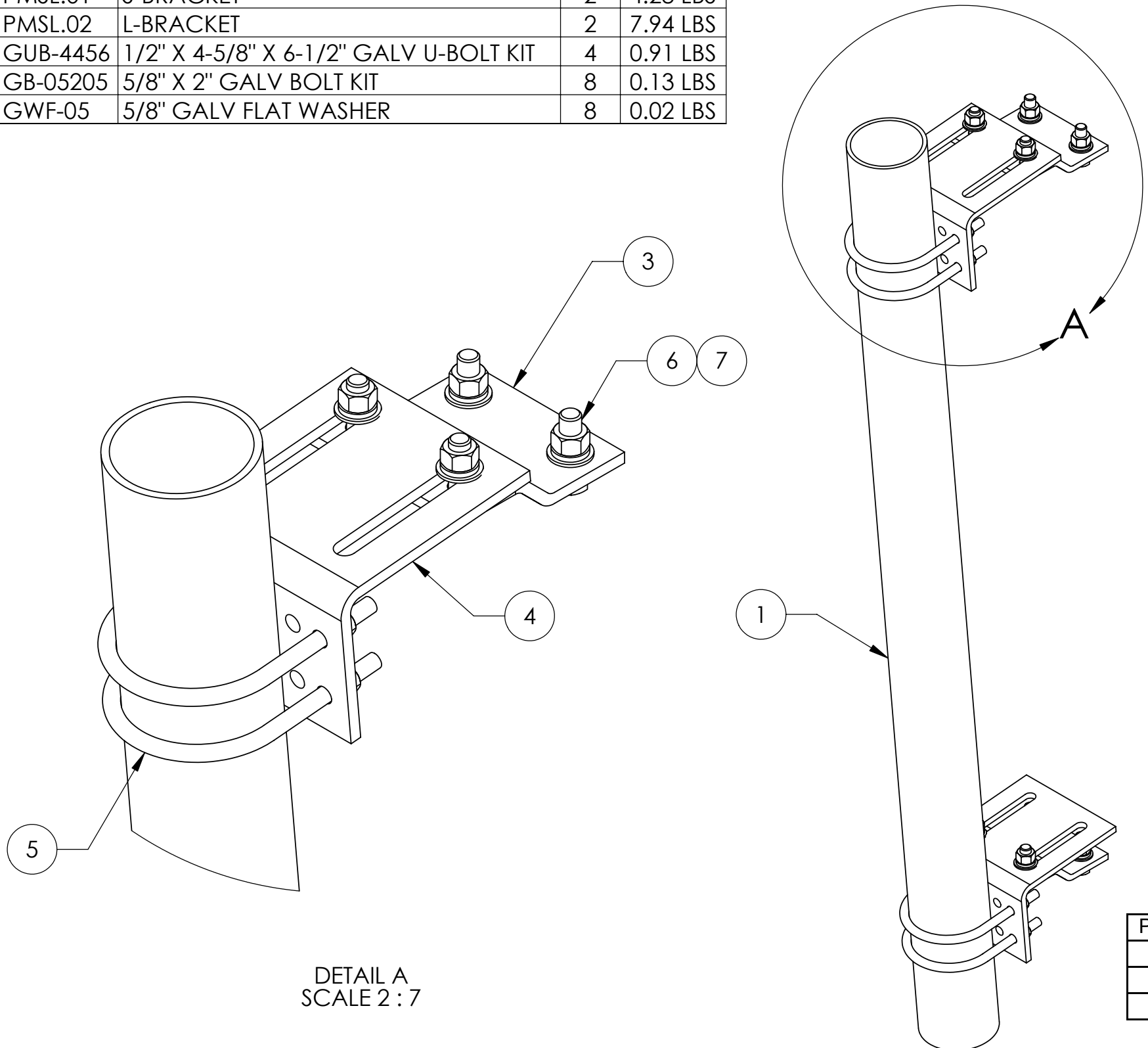



ITEM	PART NO.	DESCRIPTION	QTY.	WEIGHT
1	MT-XXX	PLAIN END PIPE 4-1/2" (SEE TABLE)	1	-
2	PM-SL4	BASE KIT (ITEMS 3-7)	1	-
3	PMSL.01	S-BRACKET	2	4.28 LBS
4	PMSL.02	L-BRACKET	2	7.94 LBS
5	GUB-4456	1/2" X 4-5/8" X 6-1/2" GALV U-BOLT KIT	4	0.91 LBS
6	GB-05205	5/8" X 2" GALV BOLT KIT	8	0.13 LBS
7	GWF-05	5/8" GALV FLAT WASHER	8	0.02 LBS

REVISIONS				
REV.	ZONE	DESCRIPTION	BY	DATE
A		INITIAL RELEASE	AW	12/08/04
B		ADDED FLAT WASHER	ACG	7/5/2005



DETAIL A
SCALE 2 : 7

PART NUMBER	PLAIN END PIPE	DESCRIPTION	WEIGHT
PM-SL4-63	MT-653-63	PLAIN END PIPE 4-1/2" OD X 63"	88.3 LBS
PM-SL4-96	MT-654-96	PLAIN END PIPE 4-1/2" OD X 96"	119.3 LBS
PM-SL4	N/A	N/A	31.3 LBS

<small>These drawings and specifications are the proprietary property of ANDREW CORPORATION and may be used only for the specific purpose authorized in writing by Andrew Corporation.</small> ALL DIMENSIONS ARE IN INCHES U.O.S. TOLERANCES UNLESS OTHERWISE SPECIFIED: .X = .06 ANGLES 2° .XX = .03 FRACTIONS 1/32 .XXX = .010 REMOVE BURRS AND BREAK EDGES .005 DO NOT SCALE THIS PRINT	DRAWN BY: AW	SHEET: 1 of 1	PART NUMBER: PM-SL4 SERIES
	CHECKED BY: TP	SCALE: NTS	DESCRIPTION: SLIDE MOUNT 4- 1/2" OD PIPE
	DATE: 12/08/04	MATERIAL: A36	DRAWING TYPE: ASSEMBLY DRAWING
	REVISION: B	FINISH: GALV A123	 ORLAND PARK, IL. 60462 U.S.A.
	WEIGHT: SEE TABLE		