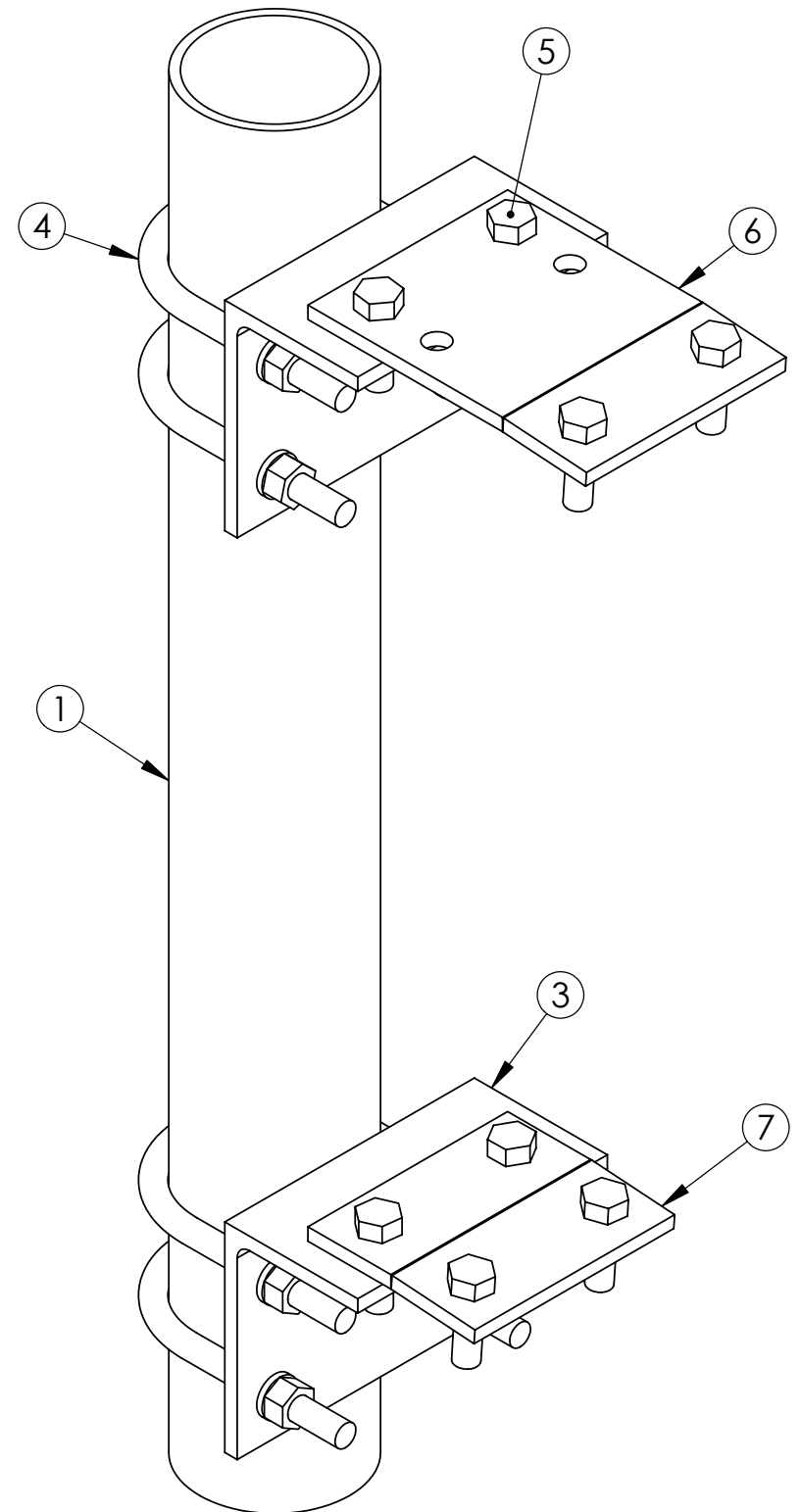



ITEM NO.	PART NO.	DESCRIPTION	QTY.	WEIGHT
1	MT-XXX	PLAIN END PIPE (SEE TABLE)	1	
2	PM-412T-B	BASE KIT ITEM#3 - 7	1	
3	PM412.01	4-1/2" PIPE MOUNT	2	7.49 LBS
4	GUB-5456	5/8" X 4-5/8" X 6-1/2" GALV U-BOLT	4	1.53 LBS
5	GB-0520A	5/8" X 2" GALV BOLT (A325)	8	0.27 LBS
6	SFU.02	UPPER ADAPTER PLATE	1	5.09 LBS
7	SFU.03	LOWER ADAPTER PLATE	1	3.03 LBS

REVISIONS				
REV.	ZONE	DESCRIPTION	BY	DATE
A		INITIAL RELEASE	AW	11/10/04



CATALOG NO.	PIPE PART NO.	DESCRIPTION	WEIGHT
PM-412T-48	MT-653	PLAIN END PIPE 4-1/2" OD x 48"	73
PM-412T-63	MT-653-63	PLAIN END PIPE 4-1/2" OD x 63"	86
PM-412T-96	MT-654-96	PLAIN END PIPE 4-1/2" OD x 96"	117

These drawings and specifications are the proprietary property of ANDREW CORPORATION and may be used only for the specific purpose authorized in writing by Andrew Corporation. ALL DIMENSIONS ARE IN INCHES U.O.S. TOLERANCES UNLESS OTHERWISE SPECIFIED: .X = .06 ANGLES 2° .XX = .03 FRACTIONS 1/32 .XXX = .010 REMOVE BURRS AND BREAK EDGES .005 DO NOT SCALE THIS PRINT	DRAWN BY: AW	SHEET: 1 of 1	PART NUMBER: PM-412T SERIES
	CHECKED BY: TP	SCALE: NTS	DESCRIPTION: 4- 1/2" TAPERED PIPE MOUNT SERIES
	DATE: 01/27/05	MATERIAL: A36	DRAWING TYPE: ASSEMBLY DRAWING
	REVISION: A	FINISH: GALV A123	 ORLAND PARK, IL. 60462 U.S.A.
	WEIGHT: SEE TABLE		