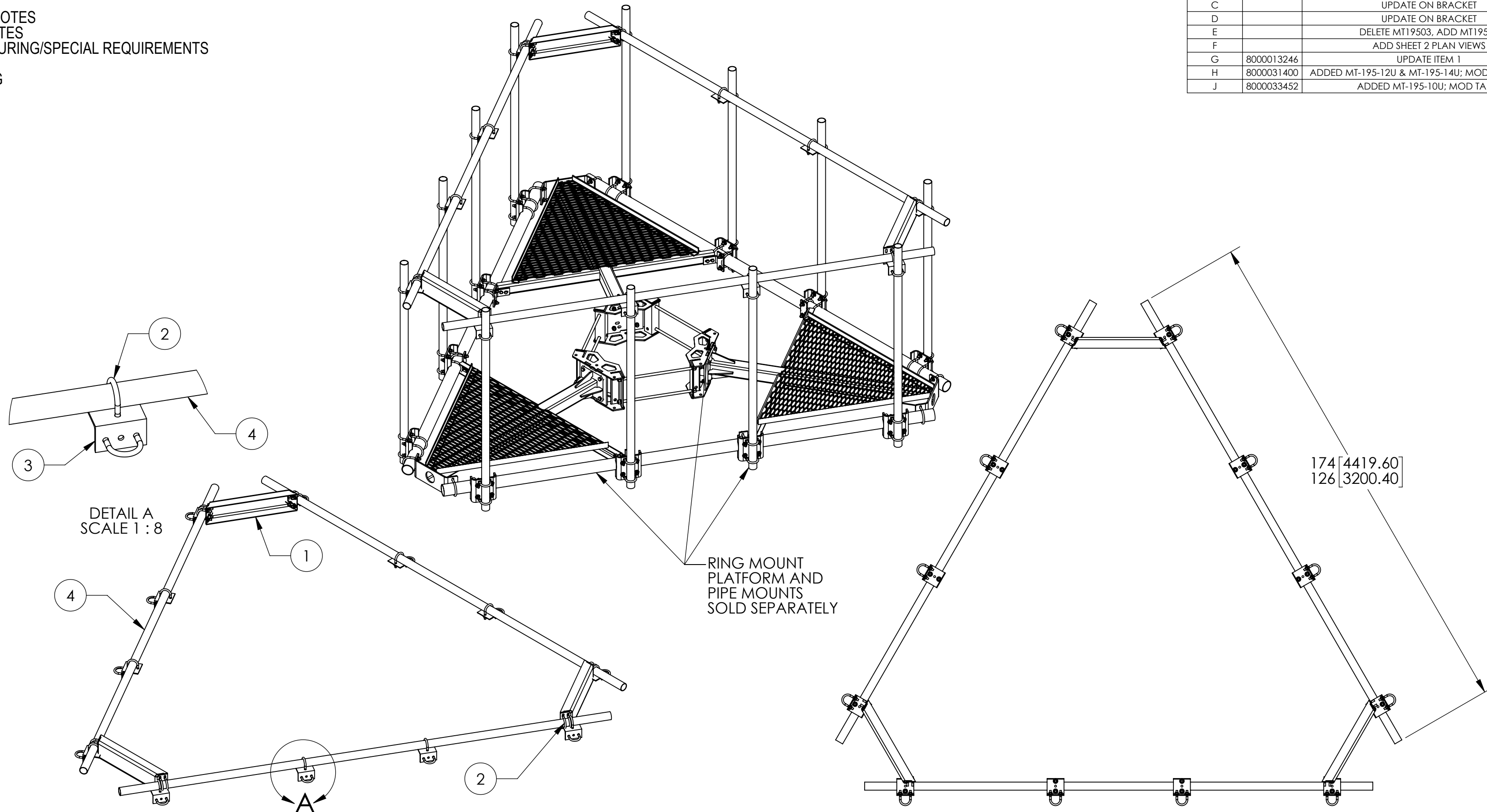


NOTES:

- 1.0 GENERAL NOTES
- 2.0 DESIGN NOTES
- 3.0 MANUFACTURING/SPECIAL REQUIREMENTS
- 4.0 TEST
- 5.0 PACKAGING

REVISIONS				
REV.	ZONE	DESCRIPTION	BY	DATE
C		UPDATE ON BRACKET	DI	01/19/05
D		UPDATE ON BRACKET	AG	04/27/05
E		DELETE MT19503, ADD MT19525	MSM	05/16/12
F		ADD SHEET 2 PLAN VIEWS	MSM	05/08/14
G	8000013246	UPDATE ITEM 1	CEB	3/28/2016
H	8000031400	ADDED MT-195-12U & MT-195-14U; MOD TABLE & SH 2	RJC	09/24/18
J	8000033452	ADDED MT-195-10U; MOD TABLE	RJC	01/14/19



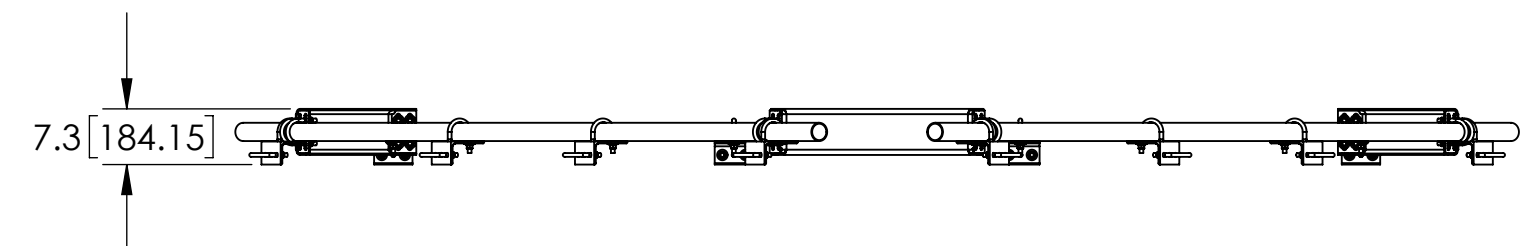
RING MOUNT
PLATFORM AND
PIPE MOUNTS
SOLD SEPARATELY

DETAIL A
SCALE 1:8

BOTTOM VIEW

MT-195-12 SHOWN

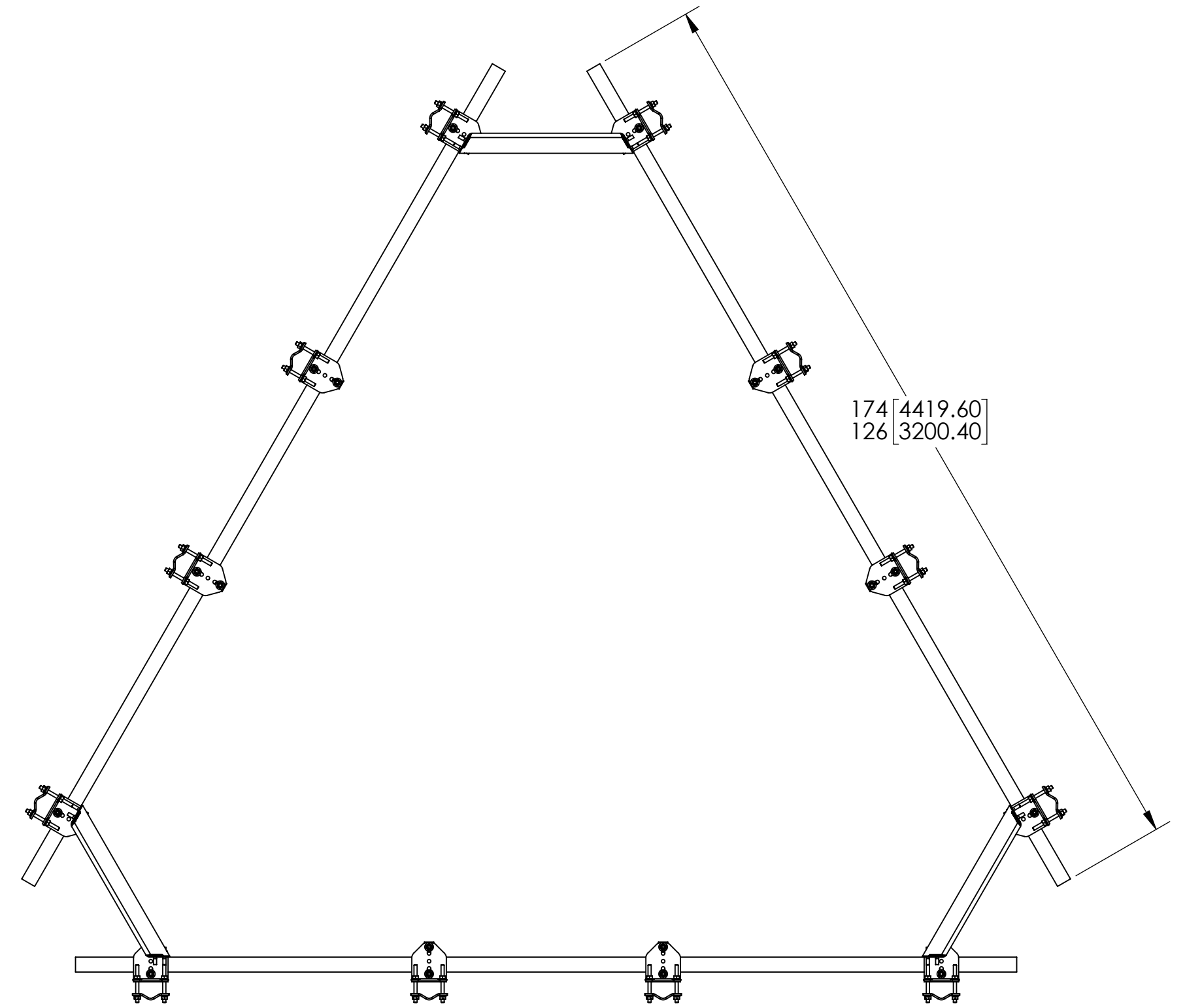
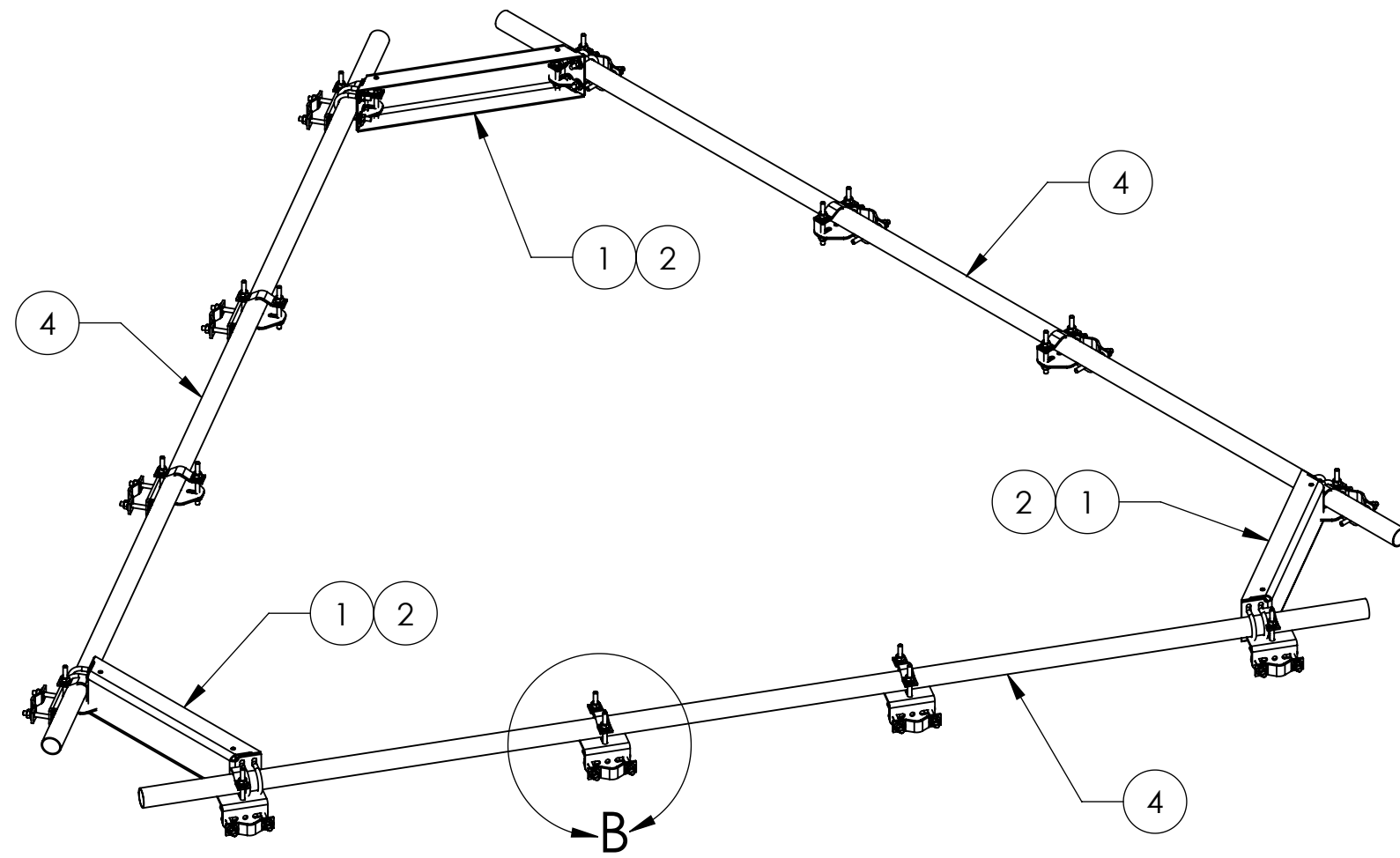
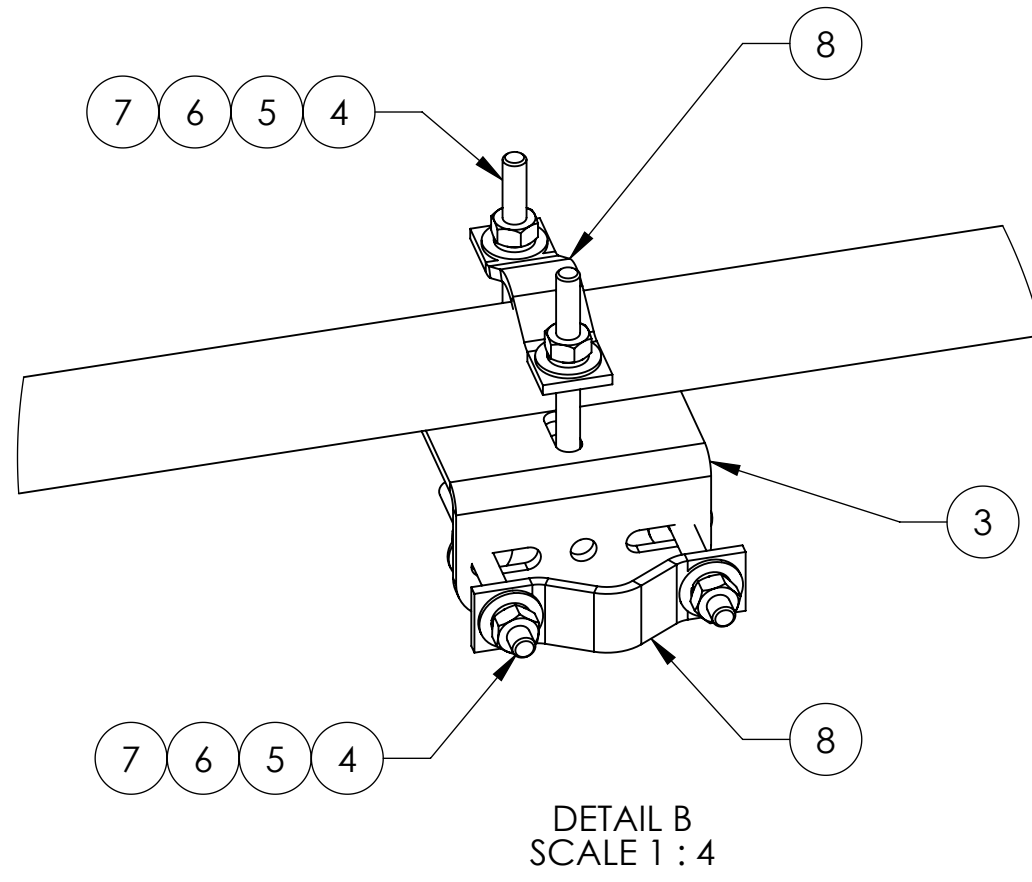
ITEM	PART NO.	DESCRIPTION	QTY.	WEIGHT	NOTE NO.
1	MT19525	CORNER WELDMENT FOR MT-195	3	16.89 LBS	
2	GUB-4240	1/2" X 2-1/2" X 4" GALV U-BOLT	36	0.56 LBS	
3	XA2020.01	ANTENNA MOUNT ANGLE	12	2.65 LBS	
4	MT-651-150	PIPE, 2-3/8"OD X 150' GALV	3	36.01 LBS	



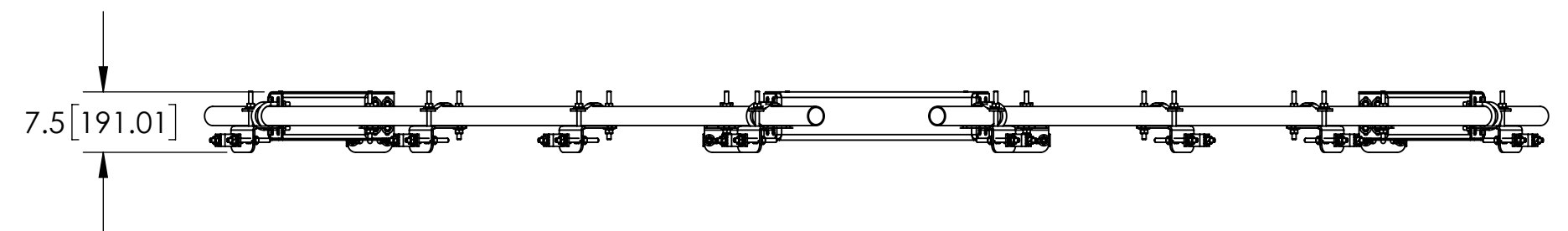
COMMSCOPE, INC. OF NORTH CAROLINA			
TOLERANCES		SAP MATERIAL MASTER	
1 PLACE .X ± .25	3 PLACE .XXX ± 0.06	MT-195-12	
2 PLACE .XX ± 0.12	ANGLES ± 2°		
FINISH GALV A123		MATERIAL A1011, A500	
UNLESS OTHERWISE SPECIFIED DIMENSIONS ARE IN INCHES INTERPRET PER ANSI Y 14.5M-1994	NAME	DATE	TITLE
	DI	01/09/05	TOP MOUNT KIT SERIES
	RW	BCAMPBELLCON	
	RV		
AD	RD1048	01/15/2019	SCALE
RE	RD1048	01/28/2019	DOCUMENT NO.
ECN 008000033452		1:25 MT-195-SERIES	
SIZE	WORK AREA 24	MODEL	
C	C	VERSION	STATUS
		02	RE
DRAWING		VERSION	STATUS
		04	RE
SHEET		1 OF 2	

PART NUMBER	PIPE	DESCRIPTION	HARDWARE KIT	WEIGHT
MT-195-12	MT-651-150	TOP MOUNT KIT, 12' PLATFORM	MT195HK	240.29 LBS
MT-195-14	MT-537-174	TOP MOUNT KIT, 14' PLATFORM	MT195HK	255.73 LBS
MT-195-10U	MT-537	TOP MOUNT KIT, 10' PLATFORM W/ XA-U	MT195UHK	222.54 LBS
MT-195-12U	MT-651-150	TOP MOUNT KIT, 12' PLATFORM W/ XA-U	MT195UHK	244.66 LBS
MT-195-14U	MT-537-174	TOP MOUNT KIT, 14' PLATFORM W/ XA-U	MT195UHK	260.10 LBS

NOTES:



BOTTOM VIEW



MT-195-12U SHOWN

ITEM	PART NO.	DESCRIPTION	QTY.	WEIGHT	NOTE NO.
1	MT19525	CORNER WELDMENT FOR MT-195	3	16.89 LBS	
2	GUB-4240	1/2" X 2-1/2" X 4" GALV U-BOLT	12	0.56 LBS	
3	XAU01	ANGLE, CROSSOVER, 1.9-3.5" X 1.9-3.5" OD	12	2.98 LBS	
4	MT-379-6	1/2" X 6" GALV THREADED ROD	48	0.33 LBS	
5	GWFL-04	1/2" GALV FLAT WASHER	96	0.03 LBS	
6	GWL-04	1/2" GALV LOCK WASHER	96	0.01 LBS	
7	GN-04A	1/2" GALV HEX NUT (A194 2H)	96	0.07 LBS	
8	ACP10	1.5" - 3.5" O.D. CLAMP HALF	24	0.61 LBS	
9	MT-651-150	PIPE, 2-3/8"OD X 150" GALV	3	36.01 LBS	

COMMSCOPE, INC. OF NORTH CAROLINA				
TITLE TOP MOUNT KIT SERIES				
SIZE C	SCALE 1:20	DOCUMENT NO. MT-195-SERIES		
DRAWING		VERSION	STATUS	REVISION
		04	RE	
				SHEET 2 OF 2