

4

3

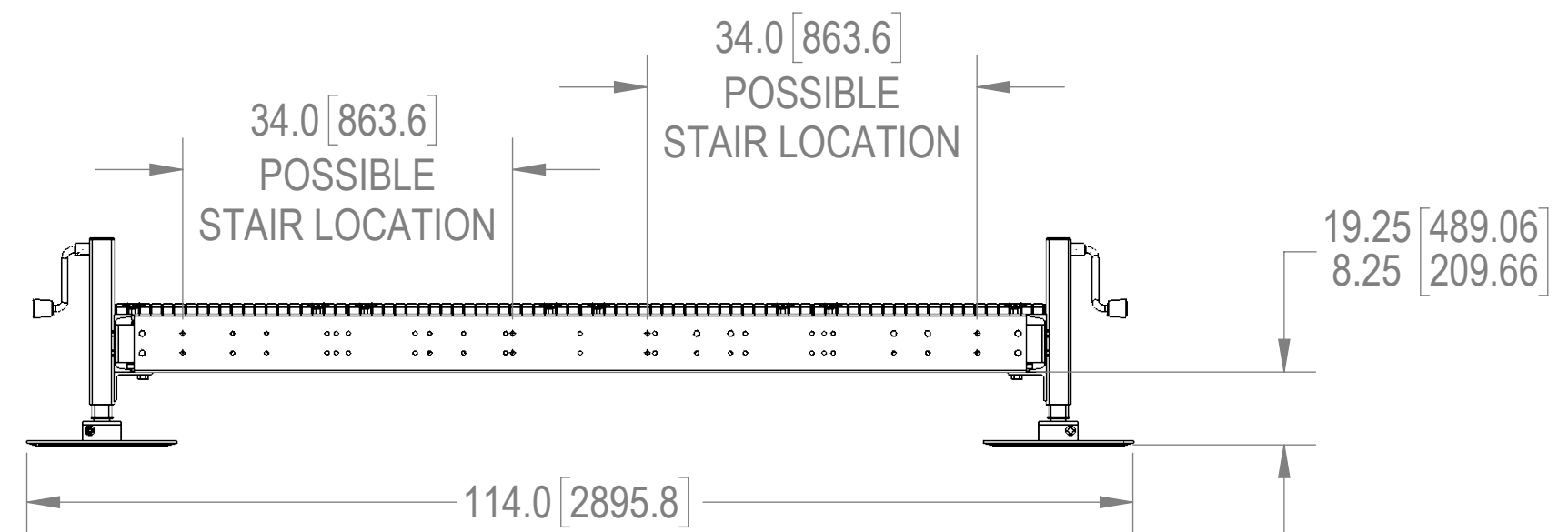
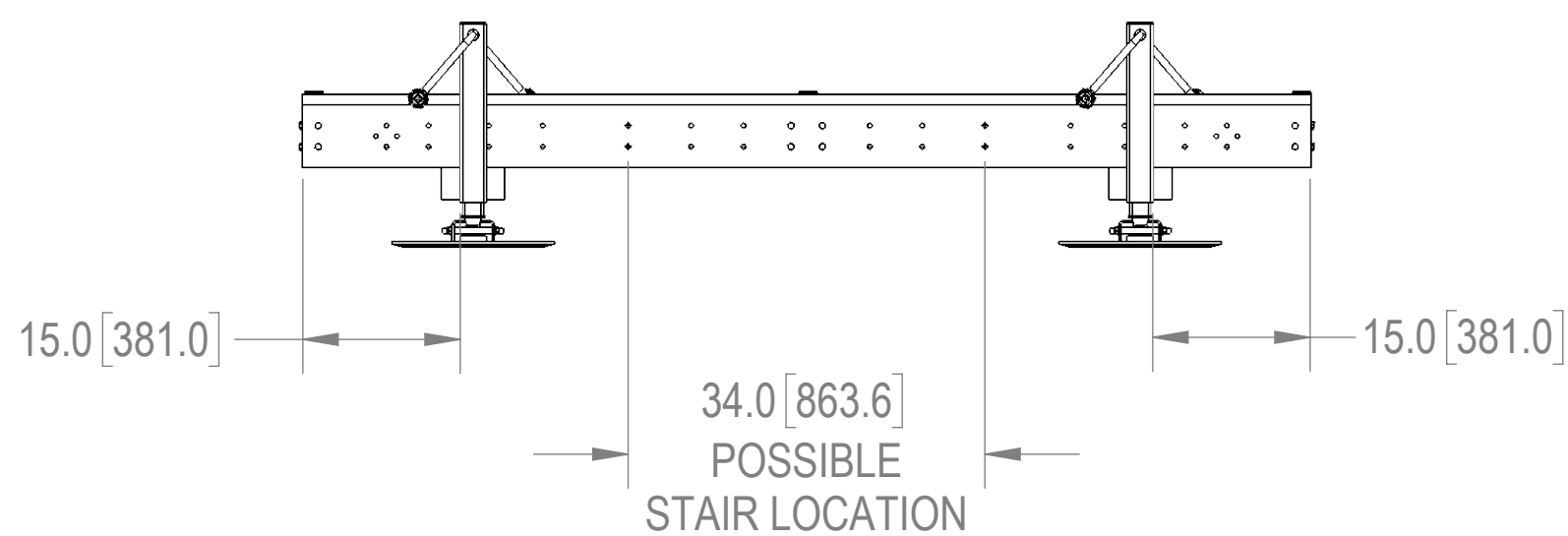
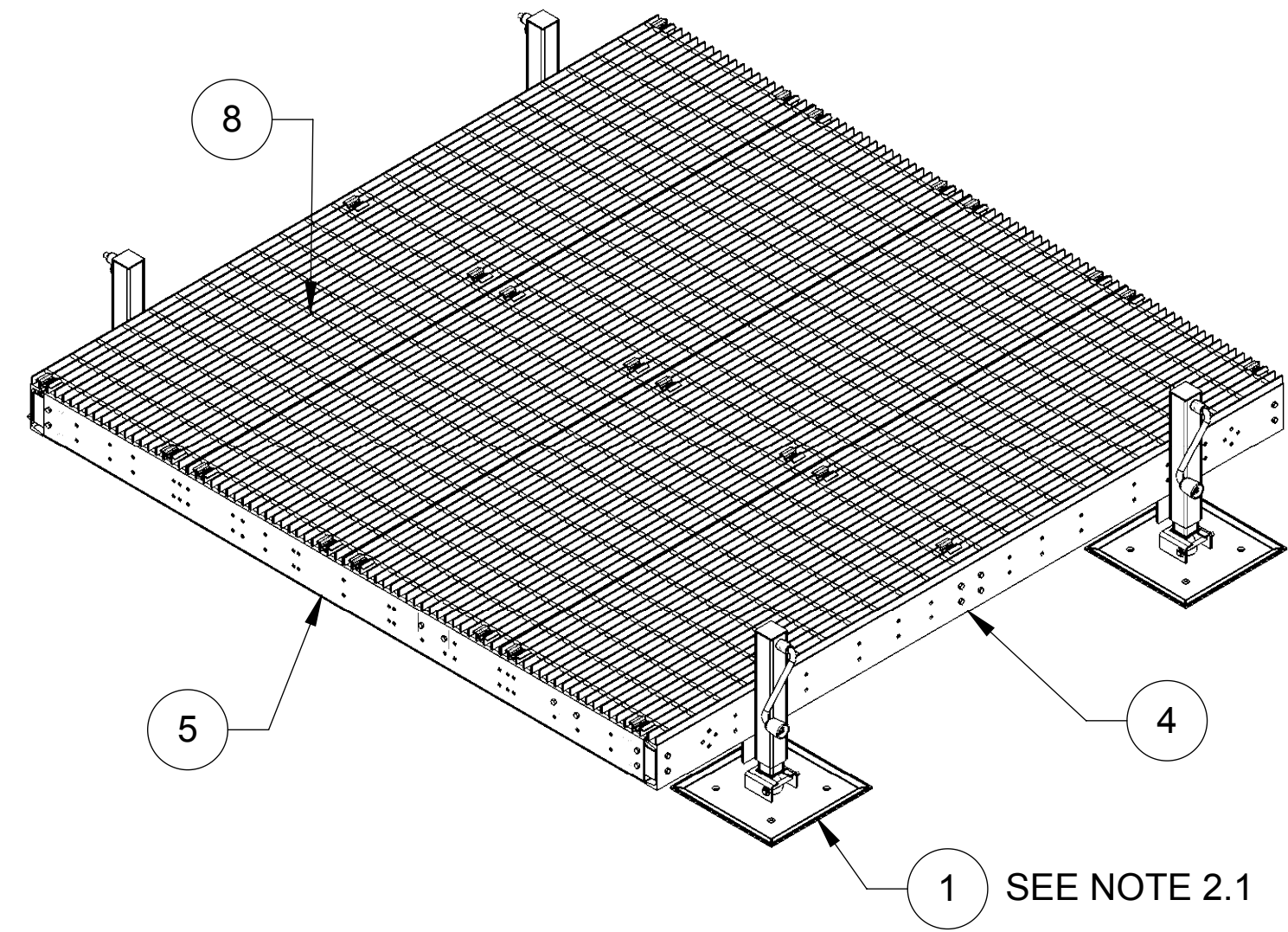
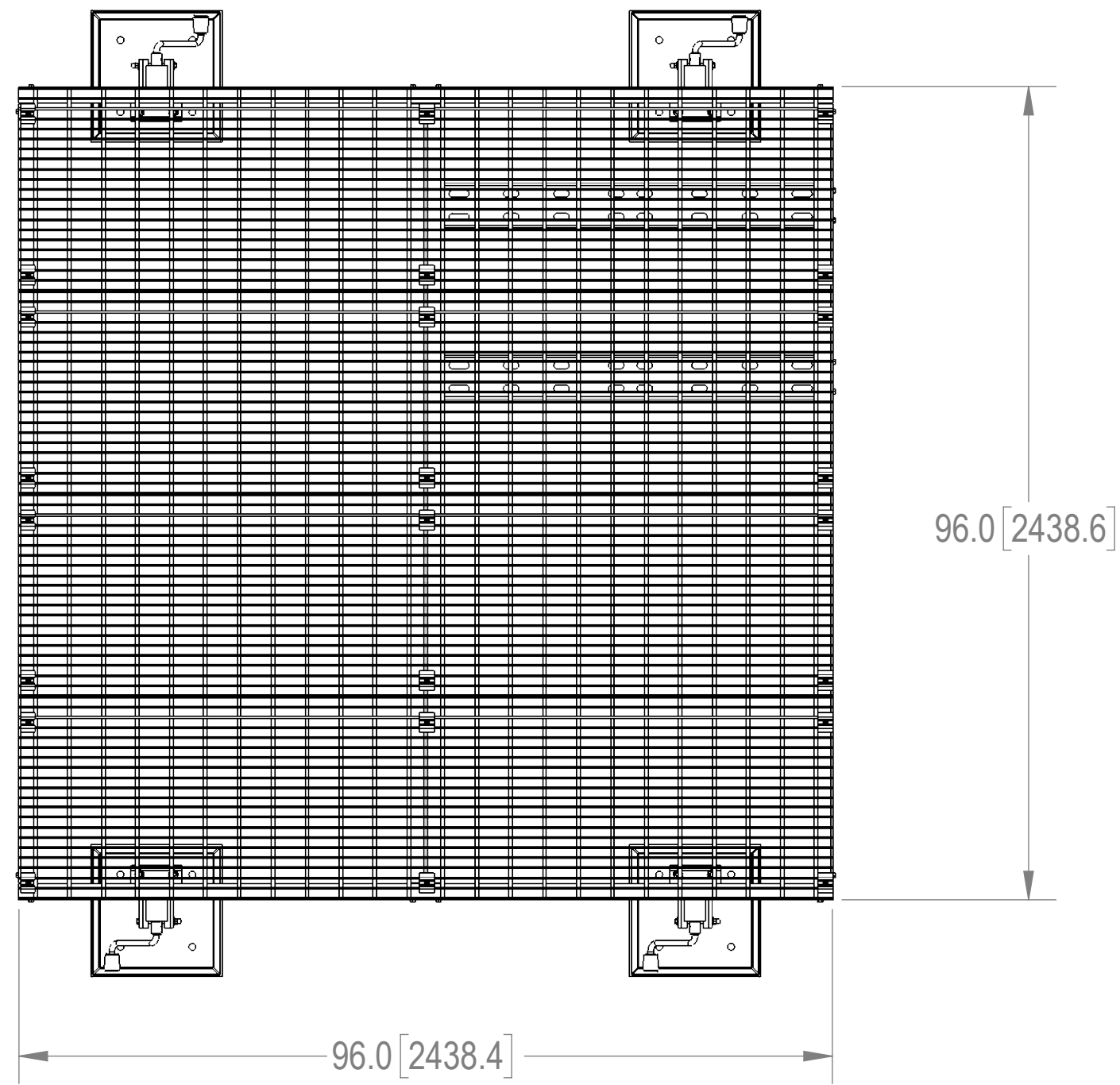
2

1

NOTES:

- 1.0 GENERAL NOTES
- 1.1 ALL METRIC DIMENSIONS ARE IN BRACKETS.
- 2.0 DESIGN NOTES
- 2.1 ALL EQ-P-AL FEET TO BE MOUNTED TO MTC398801 CHANNELS ONLY.
- 3.0 MANUFACTURING/SPECIAL REQUIREMENTS
- 4.0 TEST
- 5.0 PACKAGING

REVISIONS				
REV.	ECN	DESCRIPTION	BY	DATE
A	8000030684	INITIAL RELEASE	MRC	07/09/18
B	8000032546	ADDED SHEETS AND VIEWS FOR ASSY CLARITY	RJC	11/16/18



ITEM	PART NO.	DESCRIPTION	QTY.	WEIGHT	NOTE NO.
1	EQ-P-AL	ADJ. LEG FOR EQ. PLATFORM	4	56 LBS	
2	GB-03125	3/8" X 1-1/4" GALV BOLT KIT	40	0.06 LBS	
3	MTC390324	BAR GRATING CLIP	24	0.17 LBS	
4	MTC398801	CHANNEL, 8' PLATFORM	2	65.63 LBS	2.1
5	MTC398904	CHANNEL, FORMED 6" X 8" PLATFORM	4	28.78 LBS	
6	MTC398905	BRACKET, CHANNEL ADAPTER	8	0.84 LBS	
7	MTC4037B12	CHANNEL, 11 GA, 4" X 5.2" X 47.5"	2	21.16 LBS	
8	MTC79020808.03	24" X 96" BAR GRATING	4	114.17 LBS	
9	TS1220	12-24 X 2" SELF DRILLING SCREW	24	0.03 LBS	

COMMSCOPE, INC. OF NORTH CAROLINA

TOLERANCES		SAP MATERIAL MASTER						
0 PLACE X ± .25	2 PLACE .XX ± 0.06	MTC4037AL						
1 PLACE .X ± 0.12	ANGLES ± 2°							
FINISH GALV A123		MATERIAL A1011/A1018, A500						
UNLESS OTHERWISE SPECIFIED DIMENSIONS ARE IN INCHES INTERPRET PER ANSI Y14.5M-1994		NAME	DATE	8X8 C6 EQUIP PLAT WITH (4) AL FEET				
		CE MRC	06/26/18					
		RW BCAMPBELLCON	11/20/2018					
		RV MC1107	11/20/2018					
AD RD1048	11/21/2018	SCALE	DOCUMENT NO.	MTC4037AL				
ECN 008000032546	1:18							
SIZE	WORK AREA 24	MODEL		DRAWING				
C		VERSION	STATUS	REVISION	VERSION	STATUS	REVISION	SHEET
		00	RE		00	RE	B	1 OF 5

4

3

2

1

4

3

2

1

NOTES:

D

D

C

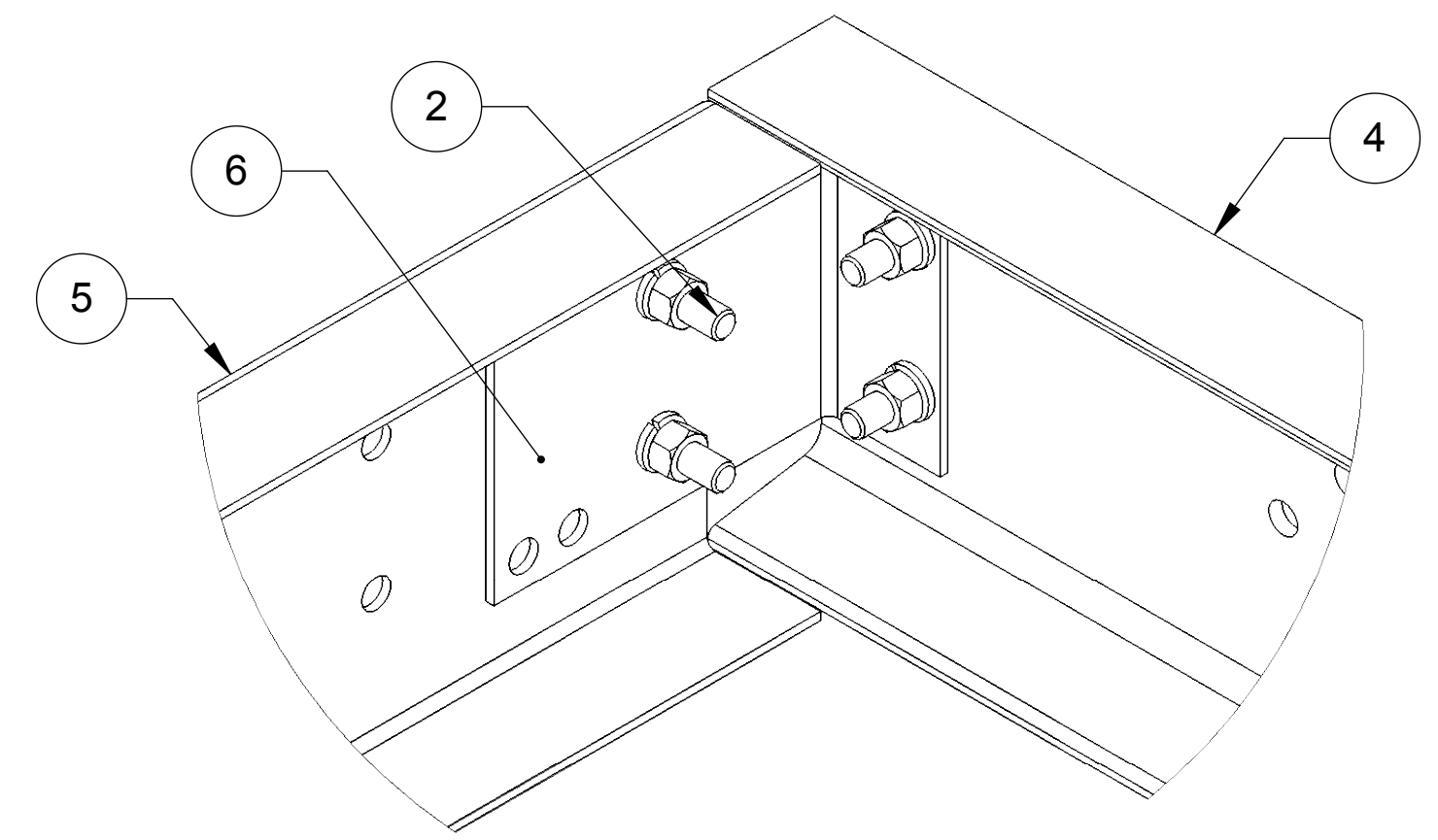
C

B

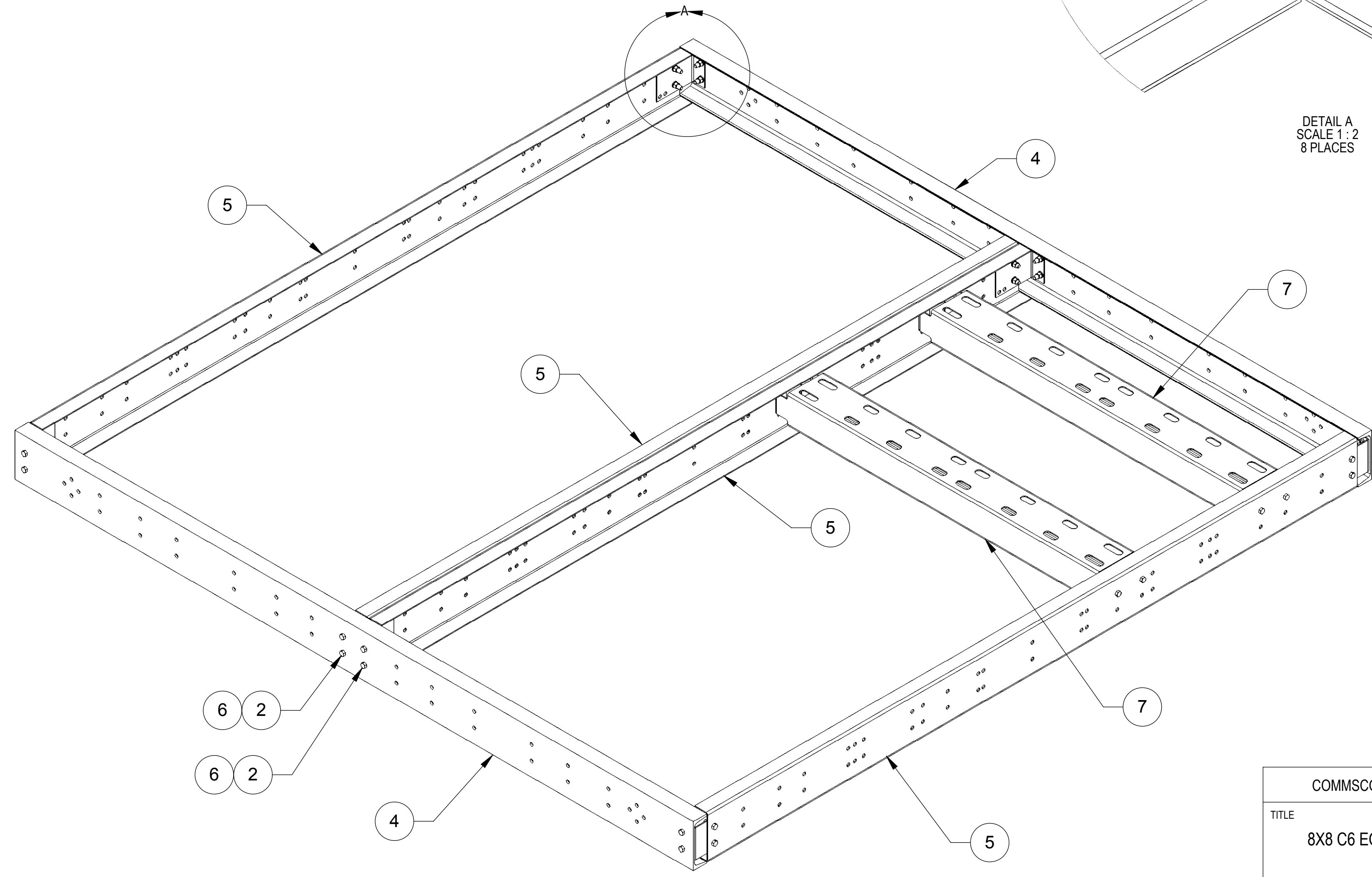
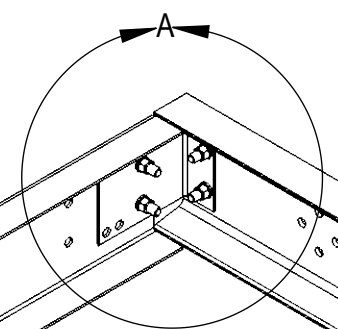
B


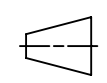
A

A



DETAIL A
SCALE 1:2
8 PLACES



COMMSCOPE, INC. OF NORTH CAROLINA					
TITLE 8X8 C6 EQUIP PLAT WITH (4) AL FEET					
SIZE C	SCALE 1:8	DOCUMENT NO. MTC4037AL			
 		DRAWING			SHEET 2 OF 5
		VERSION 02	STATUS RE	REVISION B	

© 2018 CommScope, Inc. Confidential

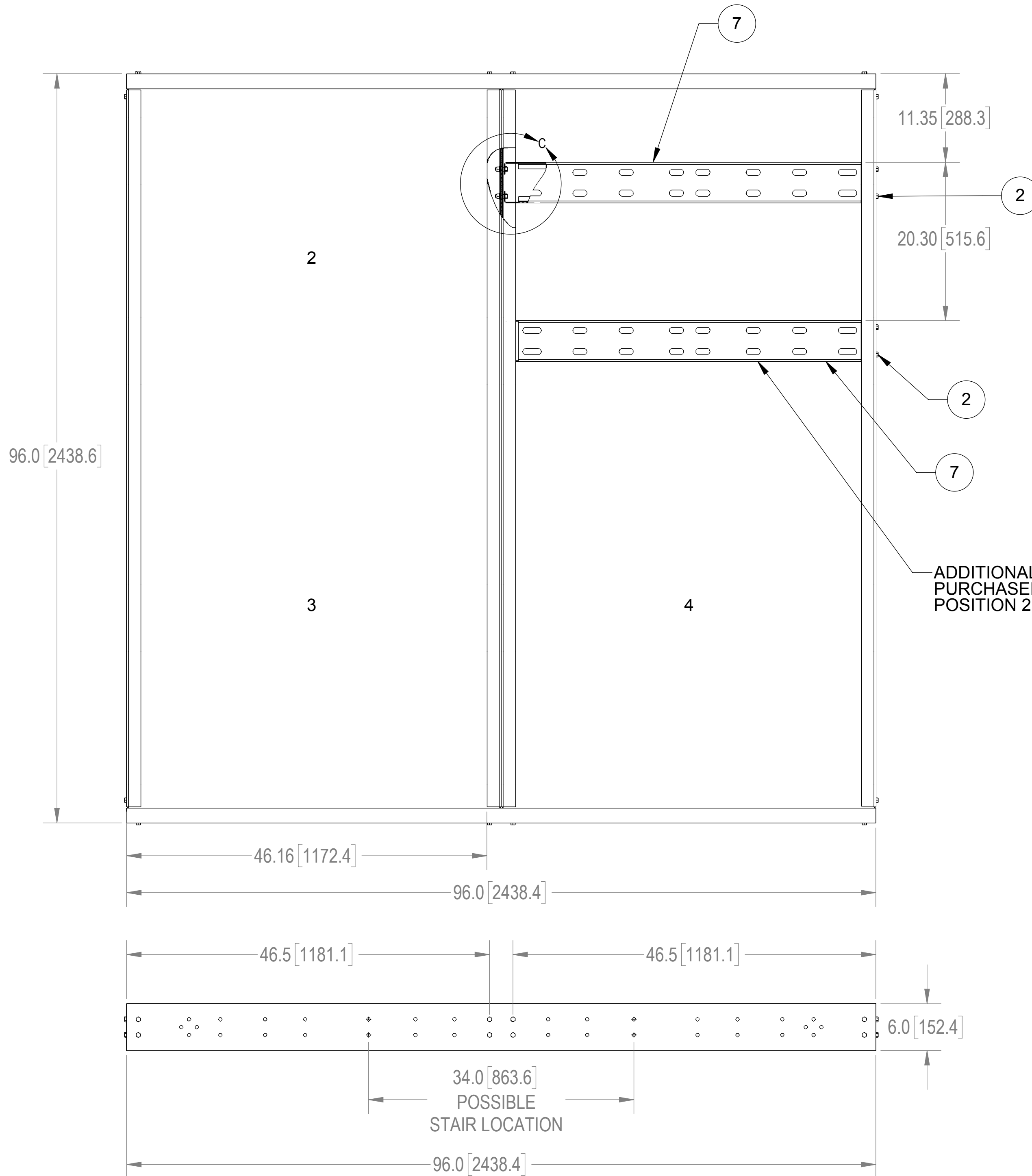
4

3

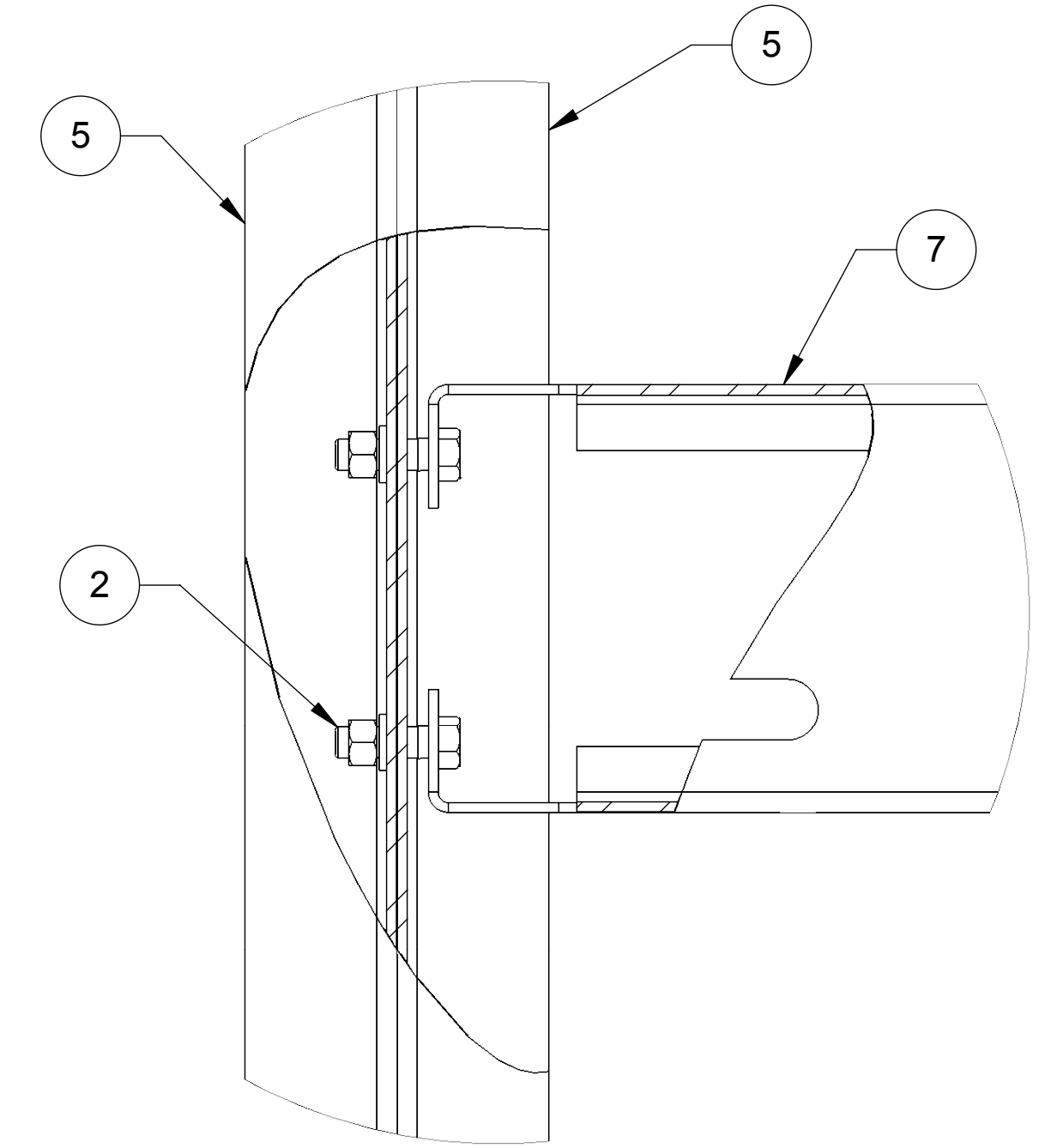
2

1

NOTES:
 1.0 ALL METRIC DIMENSIONS ARE IN BRACKETS.



ADDITIONAL CHANNEL SUPPORTS
 PURCHASED SEPARATELY FOR
 POSITION 2,3&4



COMMSCOPE, INC. OF NORTH CAROLINA				
TITLE 8X8 C6 EQUIP PLAT WITH (4) AL FEET				
SIZE C	SCALE 1:10	DOCUMENT NO. MTC4037AL		
DRAWING		VERSION	STATUS	REVISION
SHEET		02	RE	B
				SHEET 3 OF 5

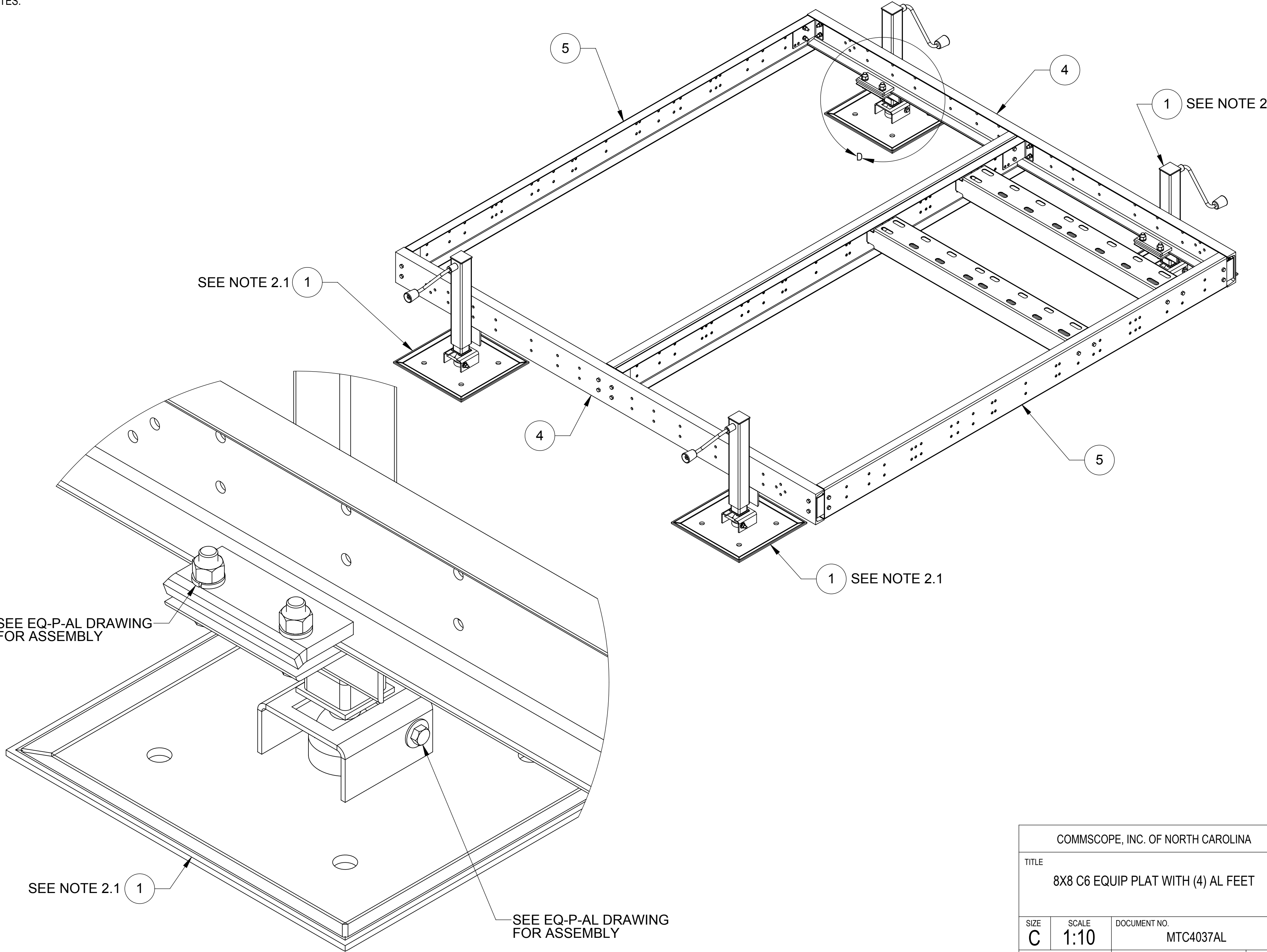
4

3

2

1

NOTES:



SEE NOTE 2.1

1

1 SEE NOTE 2.1

4

1 SEE NOTE 2.1


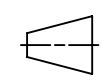
SEE EQ-P-AL DRAWING FOR ASSEMBLY

SEE NOTE 2.1

1

SEE EQ-P-AL DRAWING FOR ASSEMBLY

DETAIL D
SCALE 1:2

COMMScope, INC. OF NORTH CAROLINA				
TITLE 8X8 C6 EQUIP PLAT WITH (4) AL FEET				
SIZE C	SCALE 1:10	DOCUMENT NO. MTC4037AL		
 		DRAWING		SHEET
		VERSION 02	STATUS RE	REVISION B

© 2018 CommScope, Inc. Confidential

4

3

2

1

D

D

C

C

B

B

A

A

4

3

2

1

NOTES:

1.0 ALL METRIC DIMENSIONS ARE IN BRACKETS.

D

D

C

C

B

B

A

A

94.01 [2387.8]

75.01 [1905.2]

70.07 [1779.7]

51.07 [1297.1]

46.13 [1171.6]

27.13 [689.0]

22.19 [563.6]

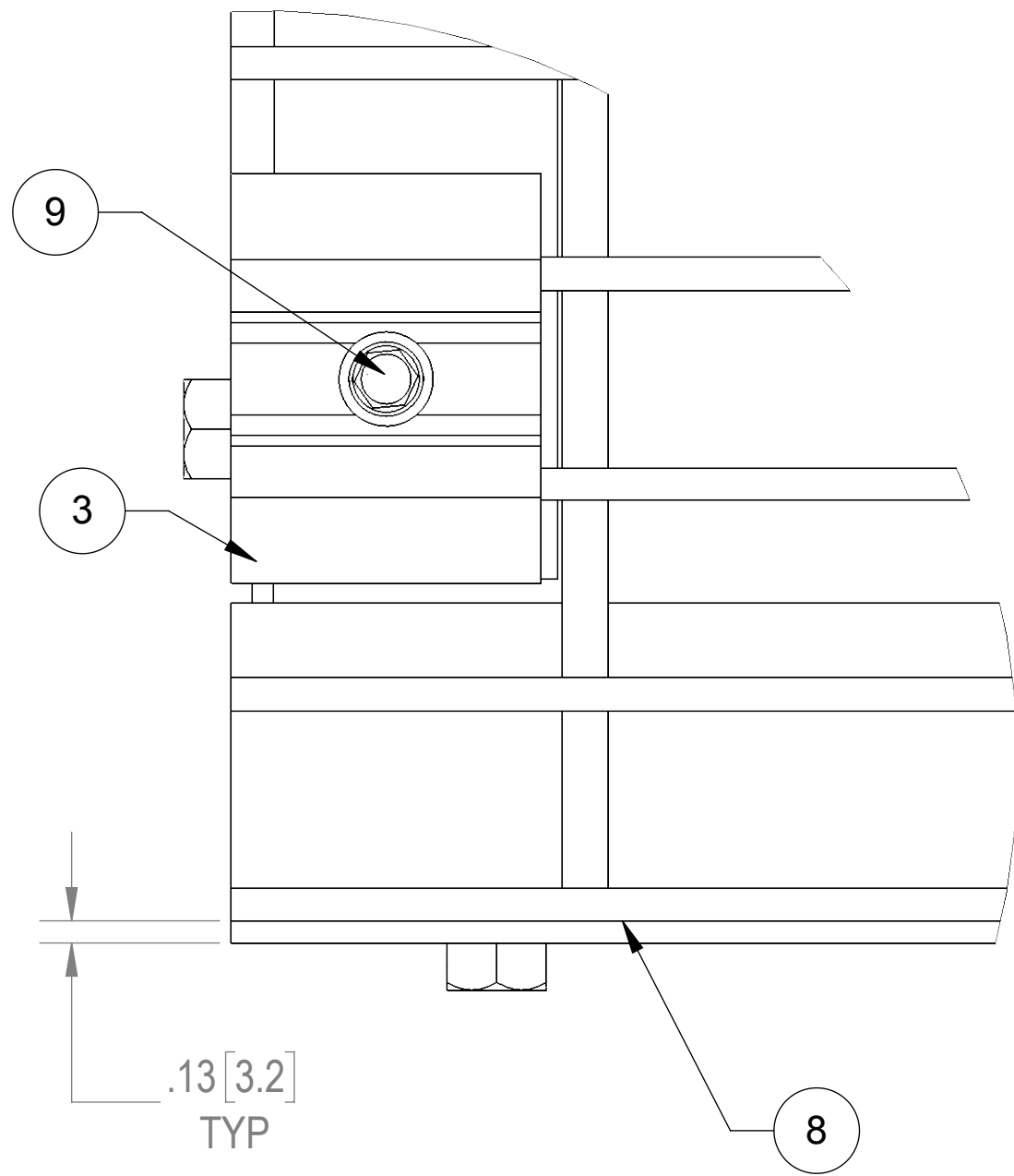
3.19 [81.0]

0 [0.0]

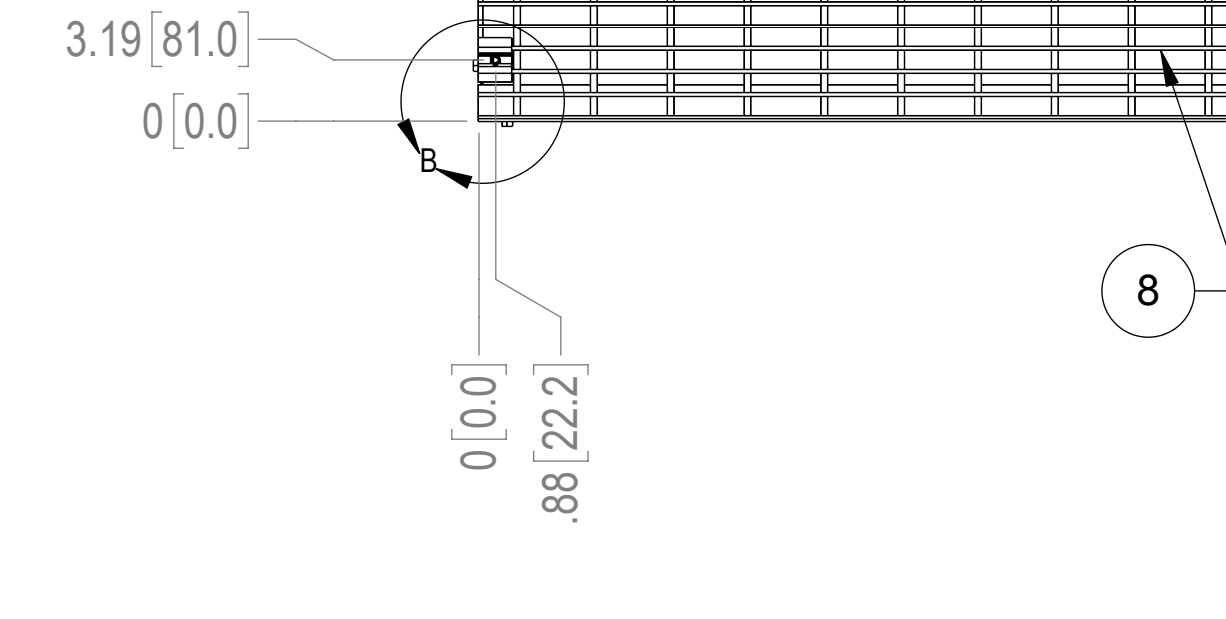
0 [0.0]
.88 [22.2]


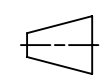
47.88 [1216.0]

94.88 [2409.8]



DETAIL B
SCALE 1 : 1



COMMScope, INC. OF NORTH CAROLINA				
TITLE 8X8 C6 EQUIP PLAT WITH (4) AL FEET				
SIZE C	SCALE 1:10	DOCUMENT NO. MTC4037AL		
 		DRAWING		SHEET
		VERSION 02	STATUS RE	REVISION B

© 2018 CommScope, Inc. Confidential

4

3

2

1