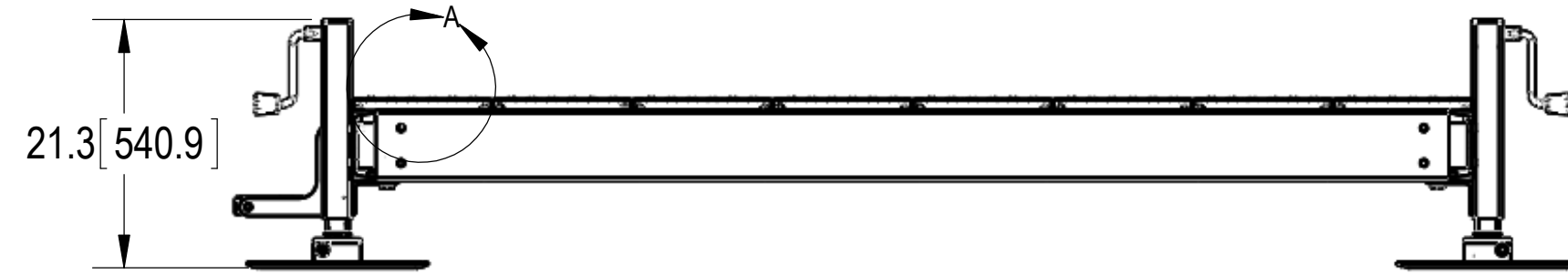
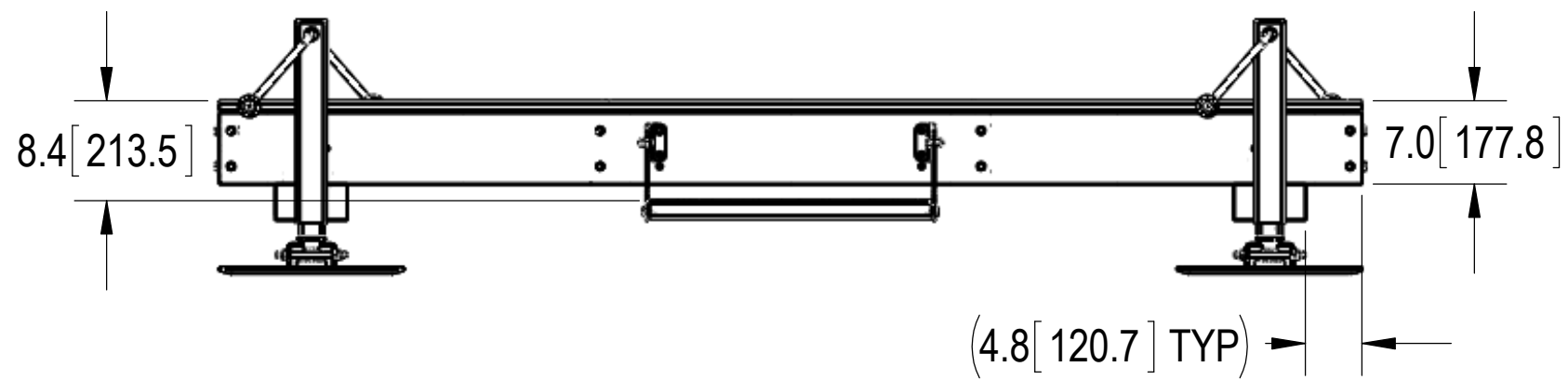
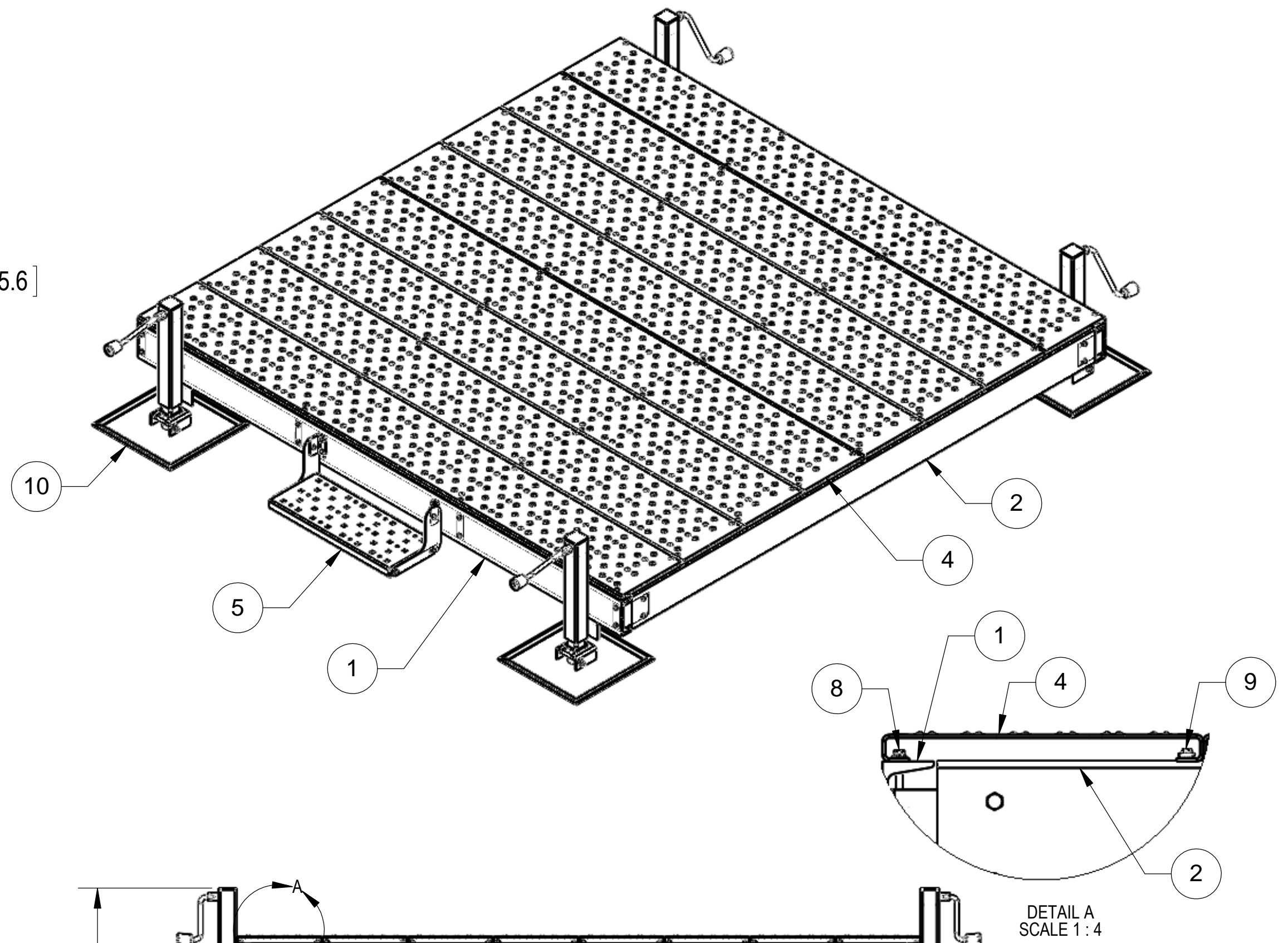
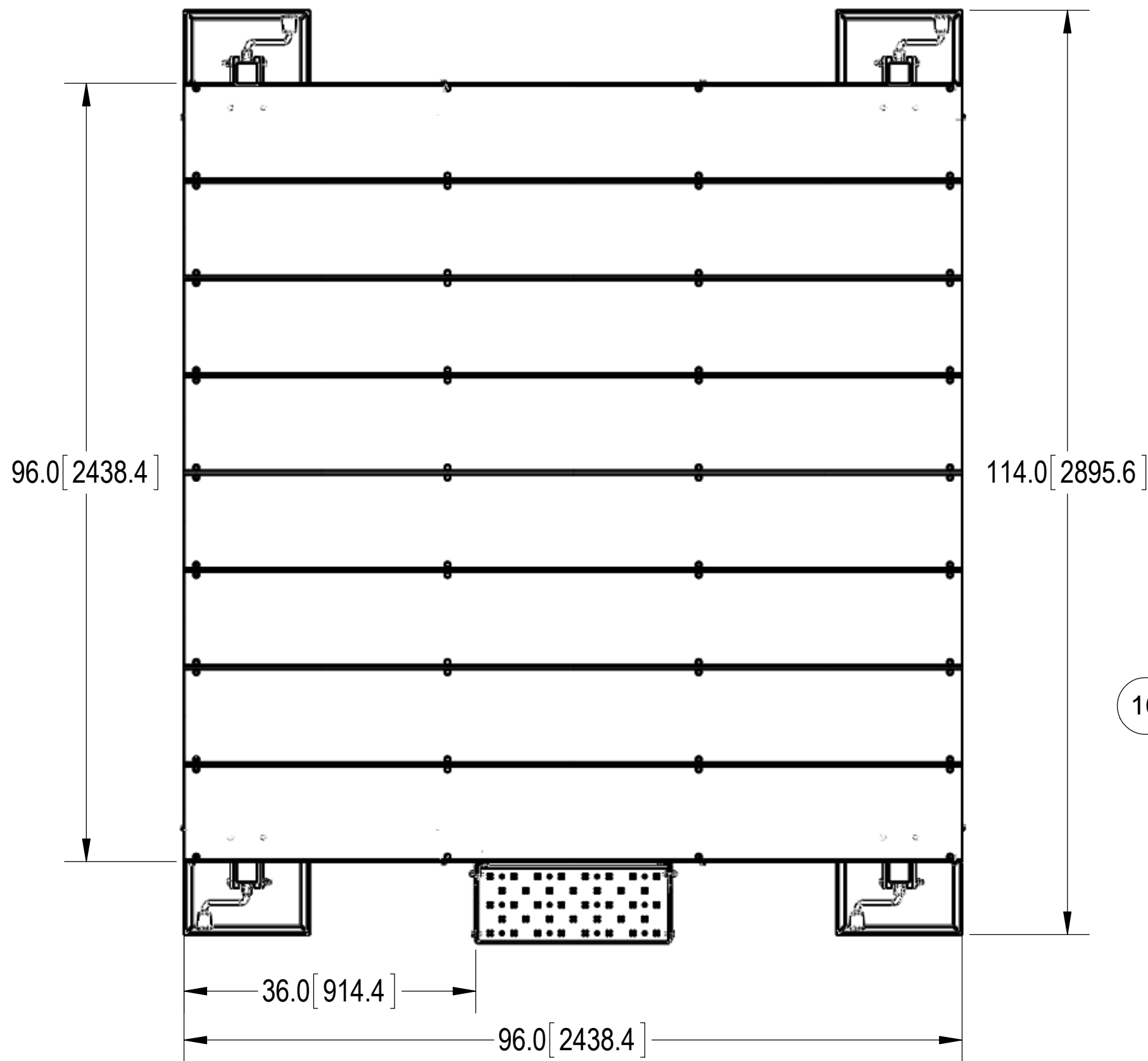


NOTES:

1.0 ALL METRIC DIMENSIONS ARE IN BRACKETS.

REV.		ECN	REVISIONS		BY	DATE
DESCRIPTION						
A		8000028395	INITIAL RELEASE		RJC	02/16/18



ITEM	PART NO.	DESCRIPTION	QTY.	WEIGHT	NOTE NO.
1	MTC398801	CHANNEL, 8' PLATFORM	2	65.80 LBS	
2	MTC398904	CHANNEL, FORMED 6" X 8' PLATFORM	4	28.99 LBS	
3	MTC398905	BRACKET, CHANNEL ADAPTER	8	0.82 LBS	
4	MTC398996	DECK, 8' FORMED	8	47.49 LBS	
5	MTC3922S	STEP FOR LIGHT DUTY PLATFORM	1	15.01 LBS	
6	GB-03105	3/8" X 1" GALV BOLT KIT	32	0.05 LBS	
7	GB-03145	3/8" X 1-1/2" GALV BOLT KIT	4	0.07 LBS	
8	TS1220	12-24 X 2" SELF DRILLING SCREW	8	0.03 LBS	
9	TS1275	TEK SCREW #12 X 3/4, WITH NEOPRENE WASHER	56	0.02 LBS	
10	EQ-P-AL	ADJ. LEG FOR EQ. PLATFORM	4	56 LBS	

COMMSCOPE, INC. OF NORTH CAROLINA			
TOLERANCES		SAP MATERIAL MASTER	
0 PLACE X ± .25	2 PLACE .XX ± .06	MTC3988DF	
1 PLACE X ± .12	ANGLES ± 2°		
FINISH		MATERIAL	
GALV A123		A1011/A1018, A529	
UNLESS OTHERWISE SPECIFIED DIMENSIONS ARE IN MILLIMETERS INTERPRET PER ISO STANDARDS HANDBOOK TECHNICAL DRAWINGS VOLUMES 1 & 2, THIRD EDITION (2002)		NAME	DATE
		CE	MRC
		RW	11/14/17
		RV	
AD		8' X 8' PLATFORM, ADJUSTABLE FEET	
RE	TP		
ECN	8000028395	SCALE	DOCUMENT NO.
		1:15	MTC3988DF
SIZE		WORK AREA	
C			
HEIGHT		MODEL	
		DRAWING	
LENGTH	VERSION	STATUS	REVISION
	VERSION	STATUS	REVISION
WIDTH			REVISION
			A
			SHEET 1 OF 2

4

3

2

1

NOTES:
1.0 ALL METRIC DIMENSIONS ARE IN BRACKETS.

D

D

C

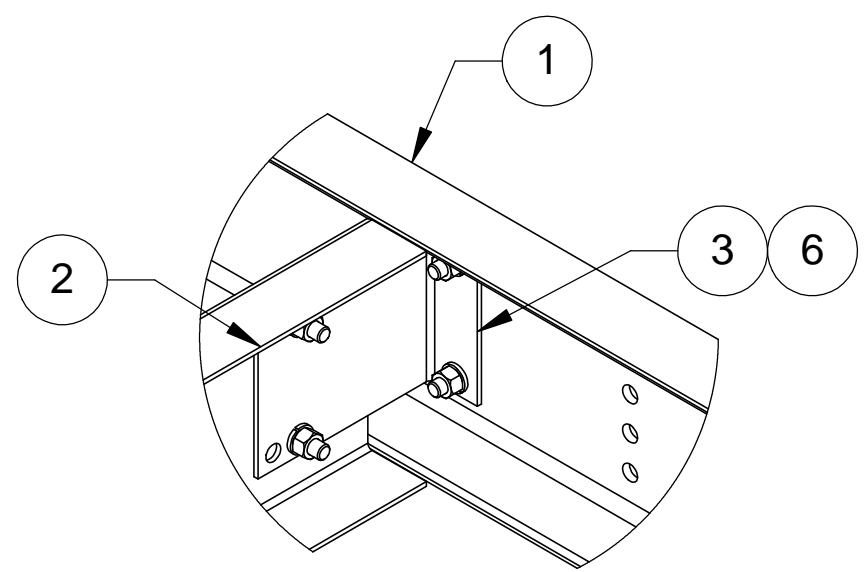
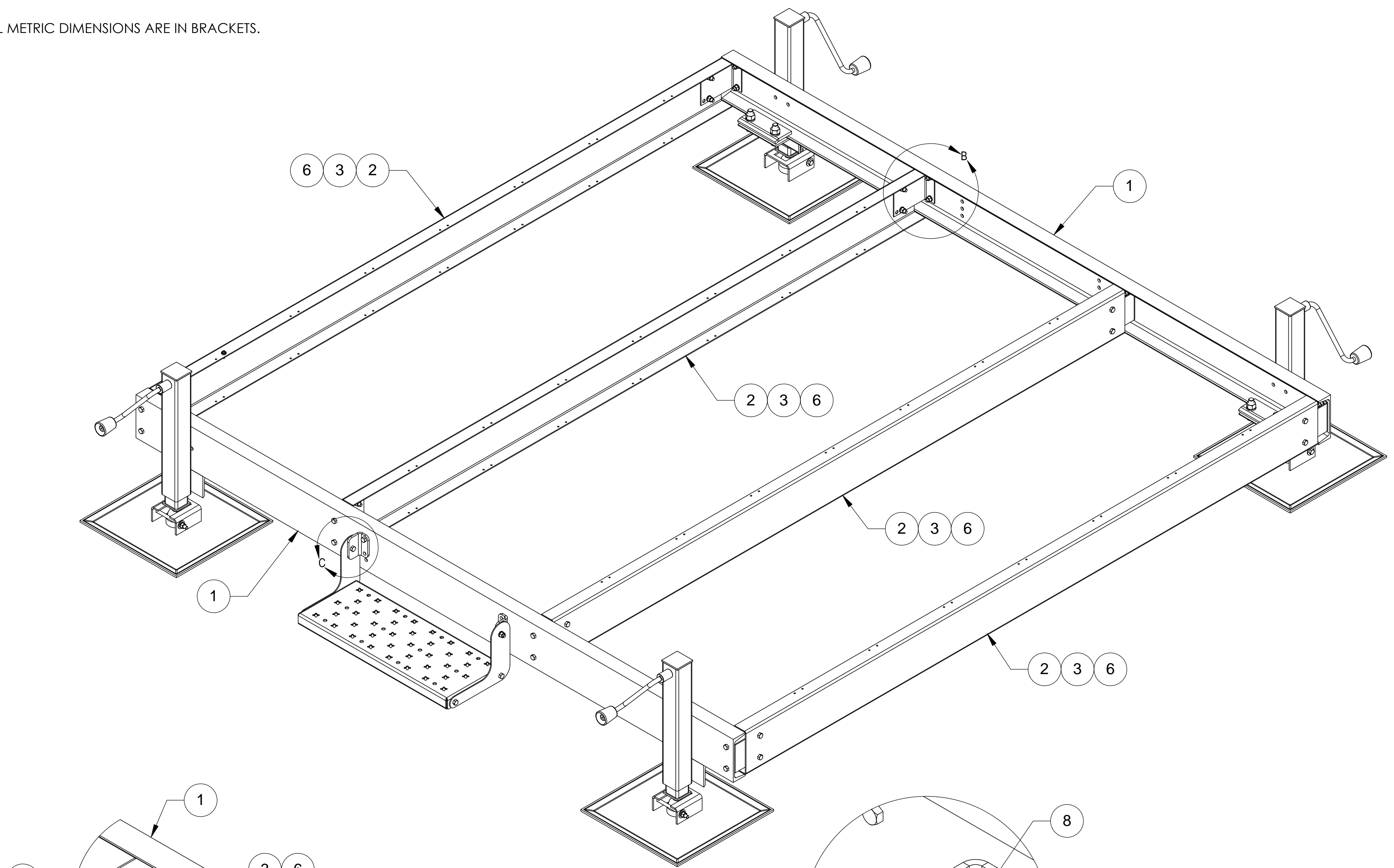
C

B

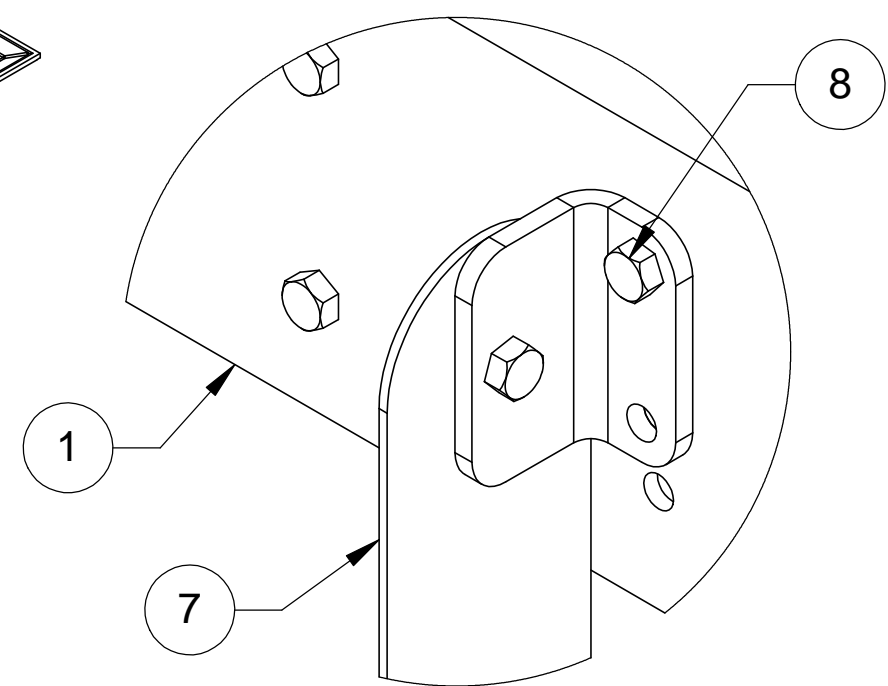
B

A

A



DETAIL B
SCALE 1:4



DETAIL C
SCALE 1:2

© 2015 CommScope, Inc. Confidential

COMMSCOPE, INC. OF NORTH CAROLINA				
TITLE 8' X 8' PLATFORM, ADJUSTABLE FEET				
SIZE C	SCALE 1:8	DOCUMENT NO. MTC3988DF		
DRAWING		VERSION	STATUS	REVISION
				A
				SHEET 2 OF 2

4

3

2

1