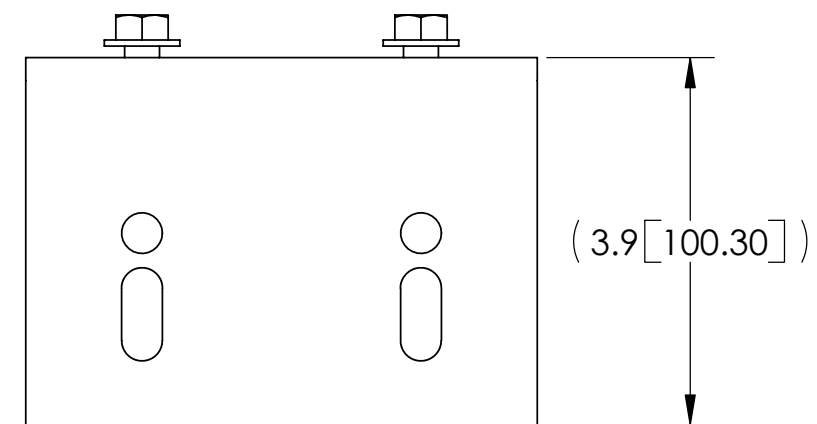
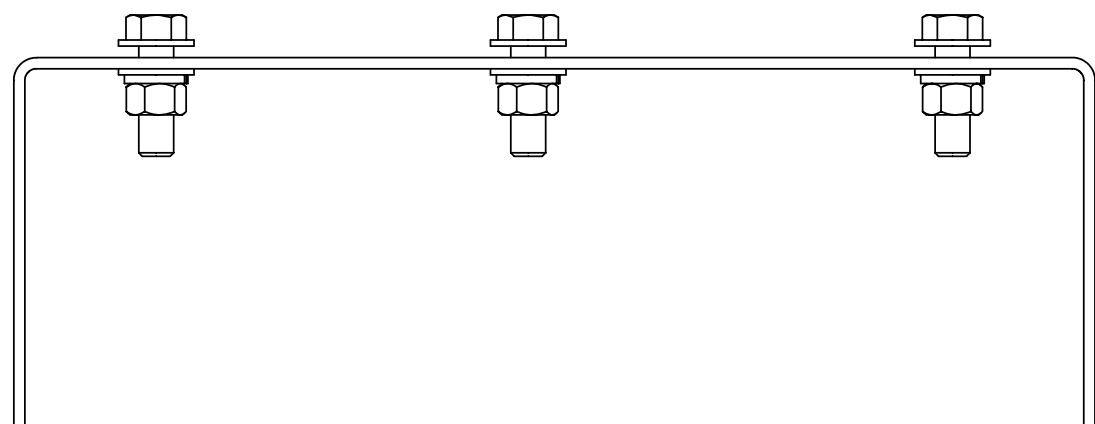
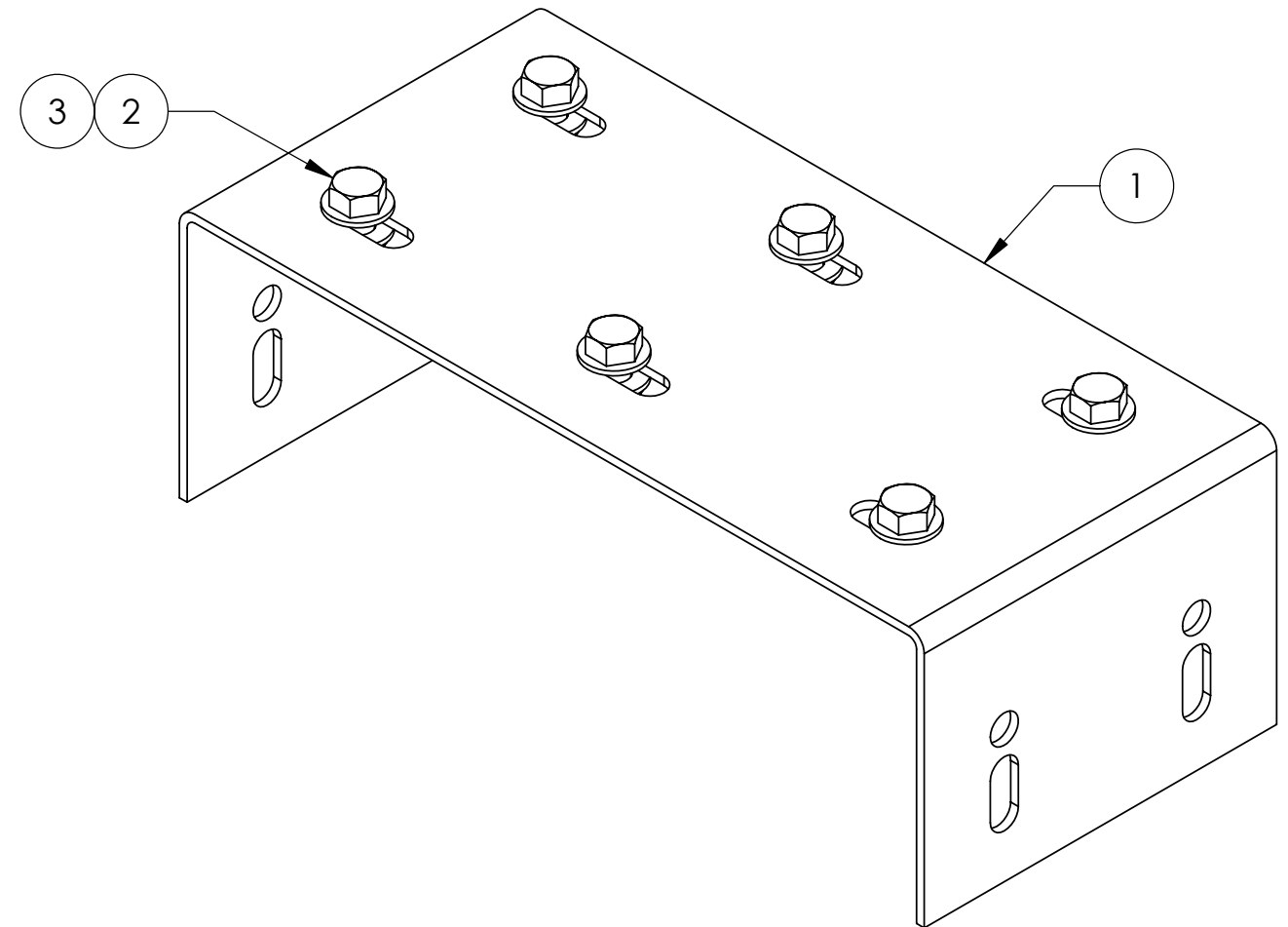
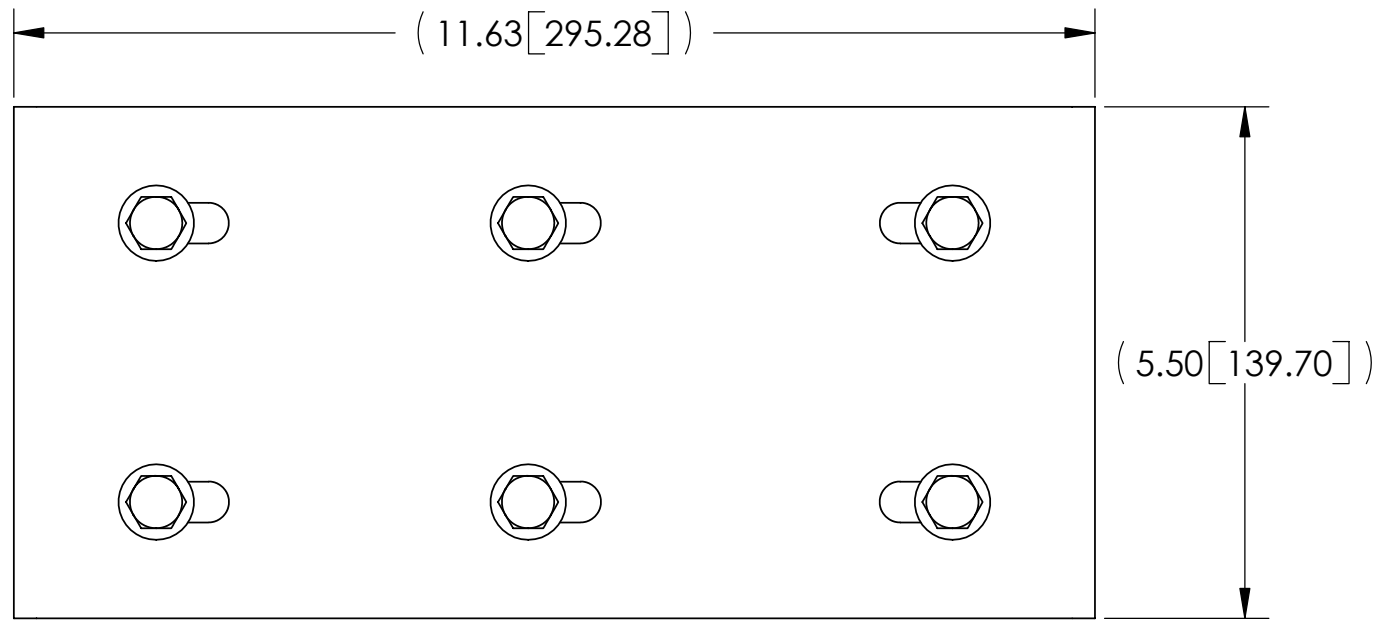



ITEM	PART NO.	DESCRIPTION	QTY.	WEIGHT
1	MTF503.01	STRAIGHT / HINGED SPLICE	1	3.39 LBS
2	GB-03125	3/8" X 1-1/4" GALV BOLT KIT	6	0.06 LBS
3	GWF-03	3/8" GALV FLAT WASHER	12	0.01 LBS

REVISIONS				
REV.	ZONE	DESCRIPTION	BY	DATE
A		INITIAL RELEASE	JTS	04/30/01



These drawings and specifications are the proprietary property of ANDREW CORPORATION and may be used only for the specific purpose authorized in writing by Andrew Corporation.  ALL DIMENSIONS ARE IN INCHES U.O.S. TOLERANCES UNLESS OTHERWISE SPECIFIED: .X = ± .06      ANGLES      ±2° .XX = ± .03      FRACTIONS      ±1/32 .XXX = ± .010  REMOVE BURRS AND BREAK EDGES .005  DO NOT SCALE THIS PRINT	DRAWN BY: ACG	SHEET: 1 of 1	PART NUMBER: MT-F503
	CHECKED BY: TP	SCALE: NTS	DESCRIPTION: HINGED SPLICE
	DATE: 04/26/06	MATERIAL: A36	DRAWING TYPE: ASSEMBLY DRAWING
	REVISION: A	FINISH: GALV A123  WEIGHT: 3.98 LBS	 ORLAND PARK, IL. 60462 U.S.A.